



WAFERGARD® III NF MINI AND MINI XL IN-LINE GAS FILTERS

Superior particulate filtration for ultrapure gas system filtration

Overview

Wafergard® III nickel filters are the cleanest, most efficient all-metal filters available. The patented nickel filter membrane offers superior corrosion resistance and excellent compatibility with inert and reactive gases.*

A state-of-the-art housing assembly eliminates outgassing by minimizing weld area. The all-metal construction is ideal for high-temperature and dynamic-pressure applications. Its compact size and flexible choice of fittings provide ultimate design efficiency and minimize engineering costs.

*Not recommended for use with CO, O₃ and low-level hydride dopant gases.



Key Features

- Cleanest, most efficient all-metal filter available
- Eliminates outgassing, improves corrosion resistance and provides excellent chemical compatibility

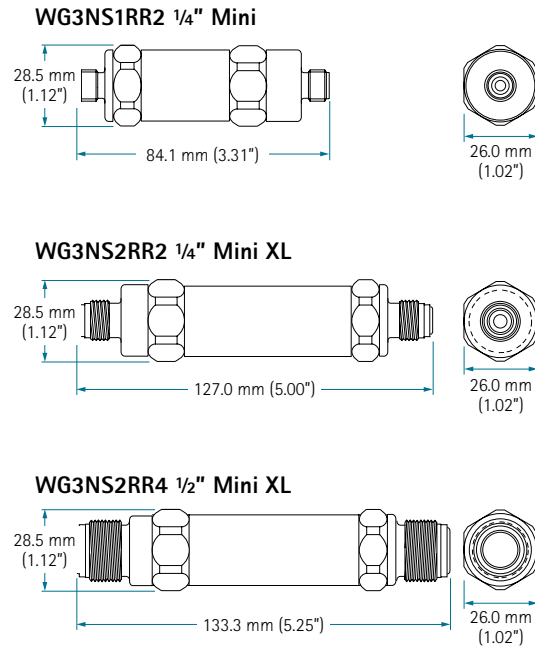
Specifications

Materials:	Filter element	Patented, sintered nickel membrane filter	
	Housing	Electropolished VAR 316L stainless steel housing	
Downstream cleanliness:	<0.03 particles/liter (<1 particle/ft ³) >0.01 μm		
Removal rating:	≥0.003 μm		
Surface finish interior:	≤5 μin Ra		
Helium leak rating:	Qualified	2 × 10 ⁻¹⁰ atm cc/sec	
	Tested	1 × 10 ⁻⁹ atm cc/sec	
Operating conditions:	Maximum inlet pressure	165 bar (2400 psi) @ 100°C	
	Maximum forward/reverse differential pressure	20 bar (290 psid)	
	Maximum operating temperature	Inert gases	400°C @ 83 bar (1200 psi)
Corrosive and reactive gases		50°C @ 165 bar (2400 psi)	
Warranty:	5 year		
Particle retention:	Greater than 99.999999% (9 LRV) removal of all particles at 60 SLPM (Mini) and 120 SLPM (Mini XL); referenced at the most penetrating particle size		
Flow rating:	Refer to performance data		

Applications

- Ultrapure gas lines
- High-temperature applications
- New fab construction
- Dynamic-pressure applications
- Inert and reactive gases

Dimensions



Ordering Information

Part Number	Fitting Options	Overall Length
WG3NS1RR2	Wafergard III NF Mini 1/4" gasket seal (compatible with VCR® fitting), male inlet/outlet	84.1 mm (3.31")
WG3NS2RR2	Wafergard III NF Mini XL 1/4" gasket seal (compatible with VCR fitting), male inlet/outlet	127.0 mm (5.00")
WG3NS2RR4	Wafergard III NF Mini XL 1/2" gasket seal (compatible with VCR fitting), male inlet/outlet	133.3 mm (5.25")

For More Information

Please call your Regional Customer Service Center today to learn what Entegris can do for you. Visit www.entegris.com and select the Customer Service link for the center nearest you.

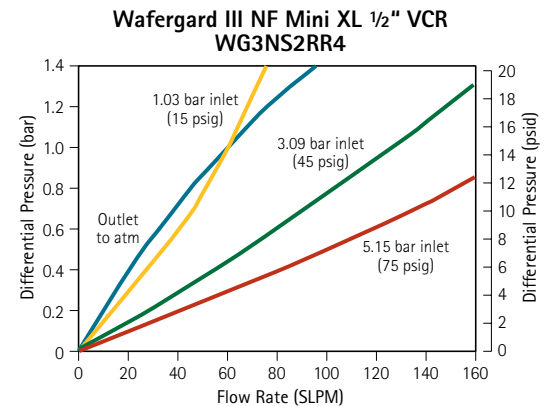
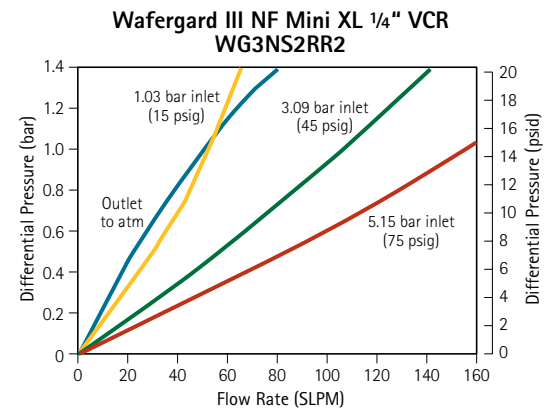
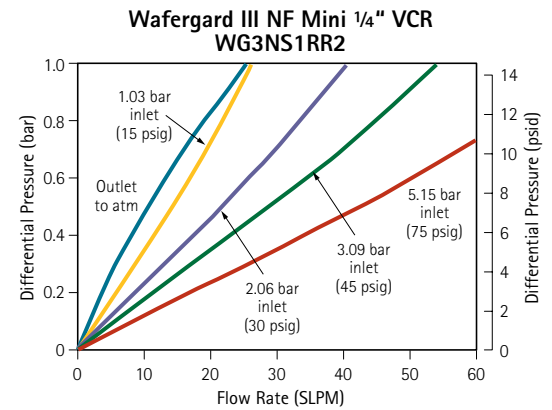
Entegris®, the Entegris Rings Design® and Wafergard® are registered trademarks of Entegris, Inc. VCR® is a registered trademark of Swagelok Company

ENTEGRIS, INC.

Corporate Headquarters | 129 Concord Road | Billerica, MA 01821 USA
 Customer Service Tel. +1 952 556 4181 | Customer Service Fax +1 952 556 8022
 In North America 800 394 4083 | www.entegris.com

©1998–2012 Entegris, Inc. All rights reserved Printed in USA 4502-5056ENT-1112

Performance Data



Terms and Conditions of Sale

All purchases are subject to Entegris' Terms and Conditions of Sale. To view and print this information, visit www.entegris.com and select the Legal Notices link from the footer.

