



**QUICKCHANGE® NX HIGH-PURITY,  
HIGH-PERFORMANCE LIQUID FILTERS**

*Next generation of nondewetting PTFE filters that  
deliver yield-enhancing particle protection and  
optimized performance for aqueous-based chemistries*



## Overview

Building on the strong QuickChange® reputation of superior performance and reliability, Entegris has leveraged years of experience in developing and supporting QuickChange filters to offer the next generation of nondewetting PTFE filters. QuickChange NX filters are optimized for aqueous-based chemistries and designed to reduce cost of ownership without sacrificing performance. They promote high device yields through excellent retention properties and low contamination from metals and particles. High filter flow rate, even at more advanced retention ratings, enables fast tool startup time and high wafer throughput.

### High-performance Nondewetting PTFE Membrane and PFA Construction

The nondewetting PTFE membrane technology prevents dewetting that can lead to sudden flow loss and unscheduled filter changeouts even in outgassing chemistries. All-PTFE and PFA construction promotes clean filtration with very low total metals, chlorides and particle shedding to enable high device yield.

### Ultrapure DI Water Packaging

Packaged “water-wet” in ultrapure DI water, QuickChange NX filters ensure high purity, superior cleanliness and ready-to-use filtration. Because QuickChange NX filters do not require IPA prewetting prior to use, they prevent alcohol/chemical interaction, avoid potential sources of contamination and eliminate the cost and inconvenience of hazardous waste disposal. This ultimately reduces filter changeout time and increases system uptime.

### Choice of Configurations and Filter Formats

QuickChange NX filters offer a choice of device configurations and filter formats, enabling users to balance performance and cost of ownership with a wide range of retention ratings (0.2 µm to 0.03 µm) and different configurations (NXT, NXX, NXM, NXE). The cartridge and disposable filter formats simplify installations and facilitate retrofits. Cartridge formats support various filter sizes and flow rate capabilities. Disposable formats require minimal handling and limit risk of contamination, making them ideal for critical applications that require the highest purity liquids. The housing shell reduces potential exposure to hazardous chemicals during installation and disposal.

## Features and Benefits

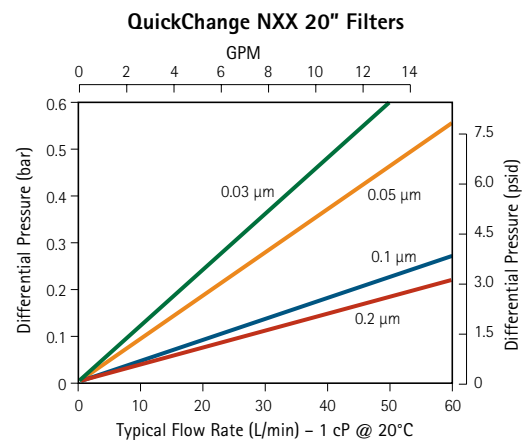
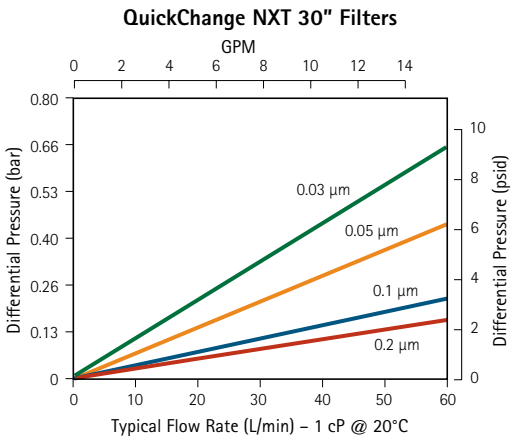
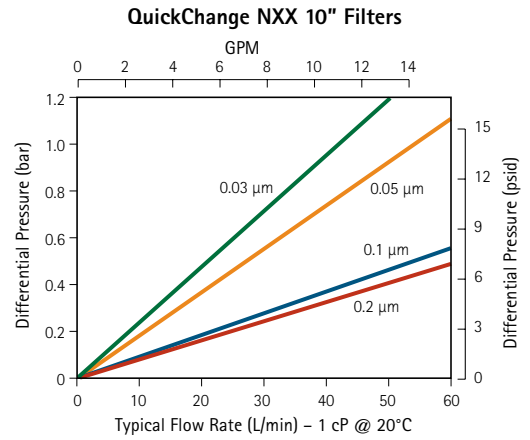
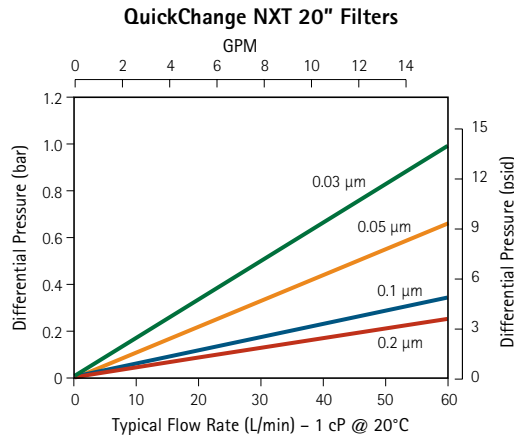
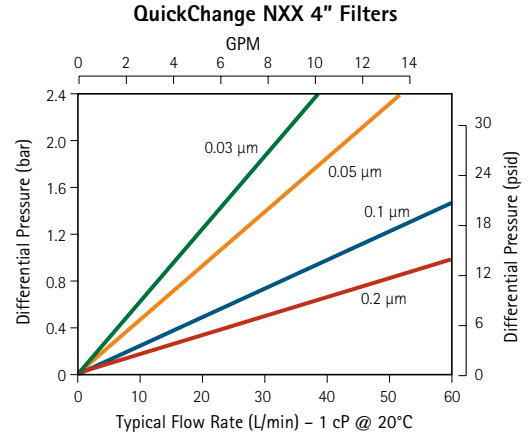
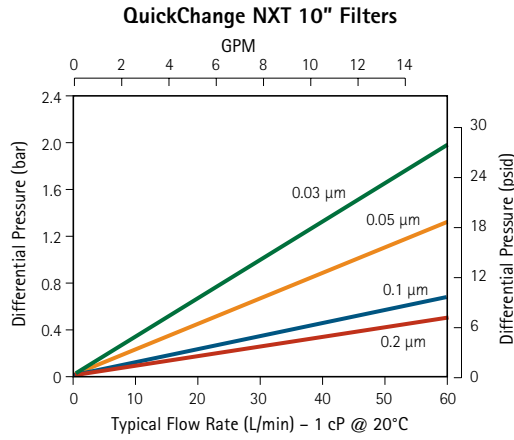
Features	Benefits
High-performance nondewetting PTFE membrane and PFA construction	<ul style="list-style-type: none"> <li>Prevents dewetting that can lead to sudden flow loss and unscheduled filter changeouts</li> <li>Reduces nucleation sites and microbubble formation to ensure that the filter maintains consistently high flow performance in outgassing chemistries</li> <li>Promotes clean filtration with very low total metals, chlorides and particle shedding to enable high device yield</li> </ul>
Ultrapure DI water packaging	<ul style="list-style-type: none"> <li>Ensures high purity, superior cleanliness, and ready-to-use filtration</li> <li>Requires no IPA prewetting prior to use, thereby preventing alcohol/chemical interaction, avoiding potential sources of contamination, and eliminating the cost and inconvenience of hazardous waste disposal</li> <li>Reduces filter changeout time and increases system uptime</li> </ul>
Choice of configurations and filter formats	<p>Enables users to balance performance and cost of ownership with:</p> <ul style="list-style-type: none"> <li>Wide range of retention ratings from 0.2 µm to 0.03 µm</li> <li>Different membrane area configurations (NXT, NXX, NXM, NXE)</li> <li>Cartridge and disposable formats               <ul style="list-style-type: none"> <li>Cartridge: Supports various filter sizes and flow rate capabilities</li> <li>Disposable: Requires less space for changeouts and reduces risk of contamination due to minimal handling</li> </ul> </li> </ul>
Aqueous-based chemical compatibility	<p>Recommended for various temperature chemicals</p> <ul style="list-style-type: none"> <li>Elevated temperature applications including SC1, SC2, SPM, nitride etch, metal etch and various semi-aqueous resist strippers</li> <li>Ambient temperature chemicals including H<sub>2</sub>SO<sub>4</sub>, H<sub>3</sub>PO<sub>4</sub>, HNO<sub>3</sub>, HCl, NH<sub>4</sub>OH, H<sub>2</sub>O<sub>2</sub>, TMAH and ozonated water</li> </ul>

## Product Attributes and Specifications

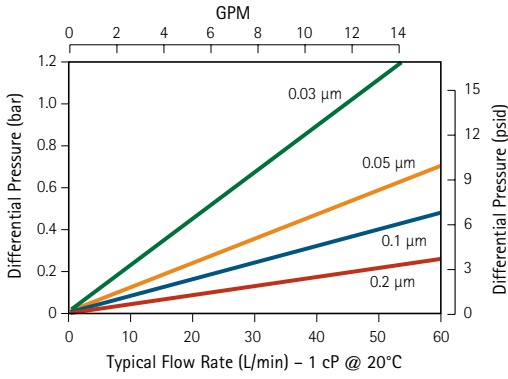
		QuickChange NXT/NXX/NXM/NXE				QuickChange NX 1000/1500/3000			
Materials:	Membrane	Prewet, nondewetting PTFE				Prewet, nondewetting PTFE			
	Supports	PFA				PFA			
	Cartridge o-ring options	E-FKM, E-ETP, Chemraz® or Kalrez®				N/A			
	Disposables shell	PFA				PFA			
Retention rating:		0.03 µm, 0.05 µm, 0.1 µm and 0.2 µm				0.03 µm, 0.05 µm and 0.1 µm			
Membrane area:		NXT	NXX	NXM	NXE	Retention rating	1000	1500	3000
	4"	–	0.5 m <sup>2</sup> (5.4 ft <sup>2</sup> )	–	–	0.03 µm	0.1 m <sup>2</sup> (1.1 ft <sup>2</sup> )	0.18 m <sup>2</sup> (1.9 ft <sup>2</sup> )	0.45 m <sup>2</sup> (4.8 ft <sup>2</sup> )
	10"	0.9 m <sup>2</sup> (9.7 ft <sup>2</sup> )	1.3 m <sup>2</sup> (14 ft <sup>2</sup> )	1.8 m <sup>2</sup> (19.4 ft <sup>2</sup> )	2.2 m <sup>2</sup> (23.7 ft <sup>2</sup> )	0.05 µm	0.1 m <sup>2</sup> (1.1 ft <sup>2</sup> )	0.12 m <sup>2</sup> (1.3 ft <sup>2</sup> )	0.3 m <sup>2</sup> (3.2 ft <sup>2</sup> )
	20"	1.8 m <sup>2</sup> (19.4 ft <sup>2</sup> )	2.6 m <sup>2</sup> (28 ft <sup>2</sup> )	3.6 m <sup>2</sup> (38.8 ft <sup>2</sup> )	4.4 m <sup>2</sup> (47.4 ft <sup>2</sup> )	0.1 µm	0.1 m <sup>2</sup> (1.1 ft <sup>2</sup> )	0.13 m <sup>2</sup> (1.4 ft <sup>2</sup> )	0.3 m <sup>2</sup> (3.2 ft <sup>2</sup> )
	30"	2.7 m <sup>2</sup> (29 ft <sup>2</sup> )	–	–	–	–	–	–	–
Cartridge connections:		Code 0 (2-222) o-rings				N/A			
Maximum operating conditions:	Maximum operating pressure	0.58 MPa (5.8 bar; 84 psi) @ 25°C (77°F) 0.097 MPa (0.97 bar; 14 psi) @ 200°C (392°F)				0.44 MPa (4.4 bar; 64 psi) @ 25°C (77°F) 0.19 MPa (1.9 bar; 28 psi) @ 95°C (203°F)			
	Maximum forward differential pressure	0.44 MPa (4.4 bar; 64 psi) @ 25°C (77°F) 0.05 MPa (0.52 bar; 7.5 psi) @ 200°C (392°F)				0.39 MPa (3.9 bar; 57 psi) @ 25°C (77°F) 0.19 MPa (1.9 bar; 27 psi) @ 95°C (203°F)			
	Maximum reverse differential pressure	0.34 MPa (3.45 bar; 50 psi) @ 25°C (77°F)				0.29 MPa (2.9 bar; 42 psi) @ 25°C (77°F)			
	Maximum operating temperature	200°C (392°F)				95°C (203°F)			
Metallic extractables:	Device	Standard		UCM		Standard		UCM	
	Cartridge	<25 µg/device		<10 µg/device		N/A		N/A	
	Disposable	<10 µg/device		<3 µg/device		<10 µg/device		<3 µg/device	
Particle shedding cleanliness:		≤50 particles (≥0.05 µm)/10 mL after 5 minutes flushing @ 3–5 L/min				≤50 particles (≥0.05 µm)/10 mL after 5 minutes flushing @ 3–5 L/min			
TOC recovery (per 10" equivalent):	Cartridge	N/A				N/A			
	Disposable	Within 5 ppb of feed after 25 min flush @ 5 L/min				Within 5 ppb of feed after 30 min flush @ 3.8 L/min			

# QuickChange NX Cartridge Filters

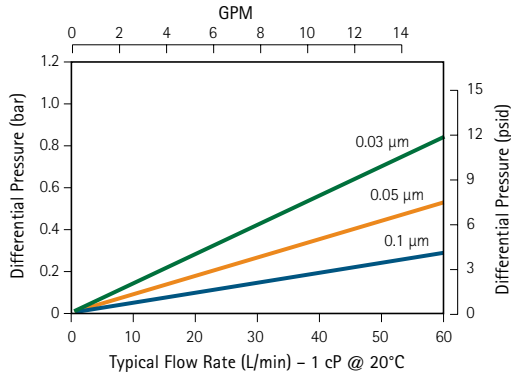
## Performance Data



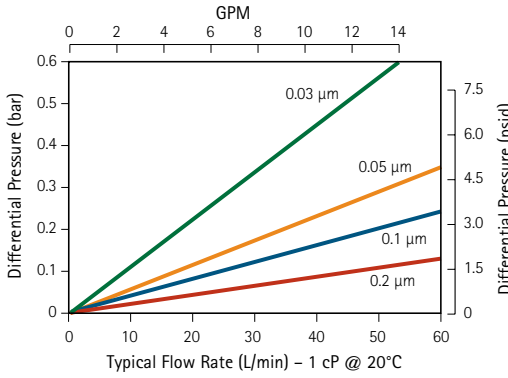
QuickChange NXM 10" Filters



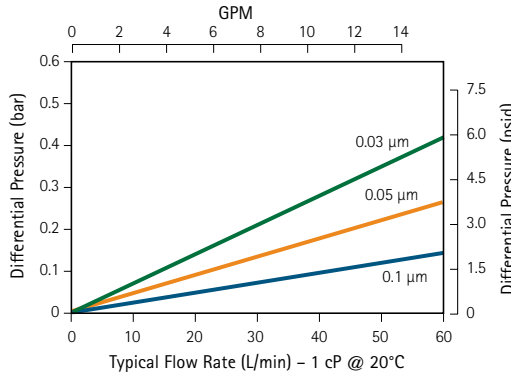
QuickChange NXE 10" Filters



QuickChange NXM 20" Filters



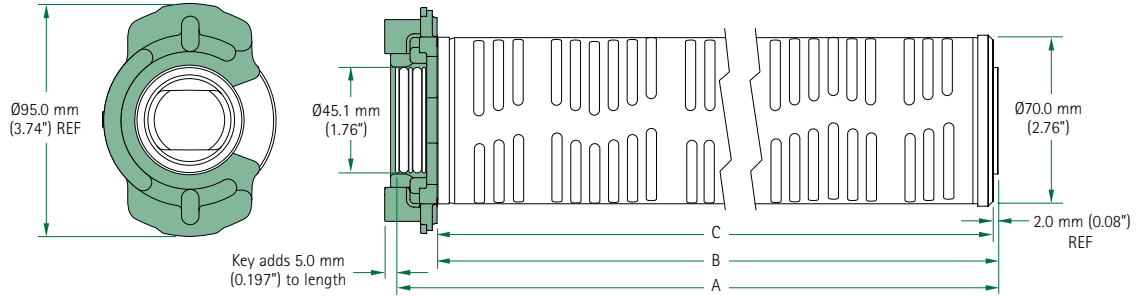
QuickChange NXE 20" Filters



**Dimensions**

**QUICKCHANGE NXT CARTRIDGE FILTERS**

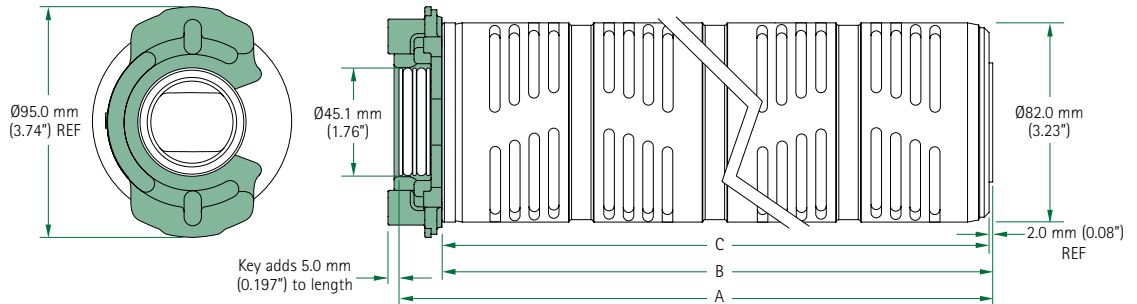
**Nominal Dimensions**



Length	A (Overall)	B (Control)	C (Shoulder)
4"	132.3 mm (5.21")	115.0 mm (4.53")	113.0 mm (4.45")
10"	262.3 mm (10.33")	245.0 mm (9.65")	243.0 mm (9.57")
20"	498.3 mm (19.62")	481.0 mm (18.94")	479.0 mm (18.86")
30"	738.3 mm (29.07")	721.0 mm (28.39")	719.0 mm (28.31")

**QUICKCHANGE NXX, NXM AND NXE CARTRIDGE FILTERS**

**Nominal Dimensions**



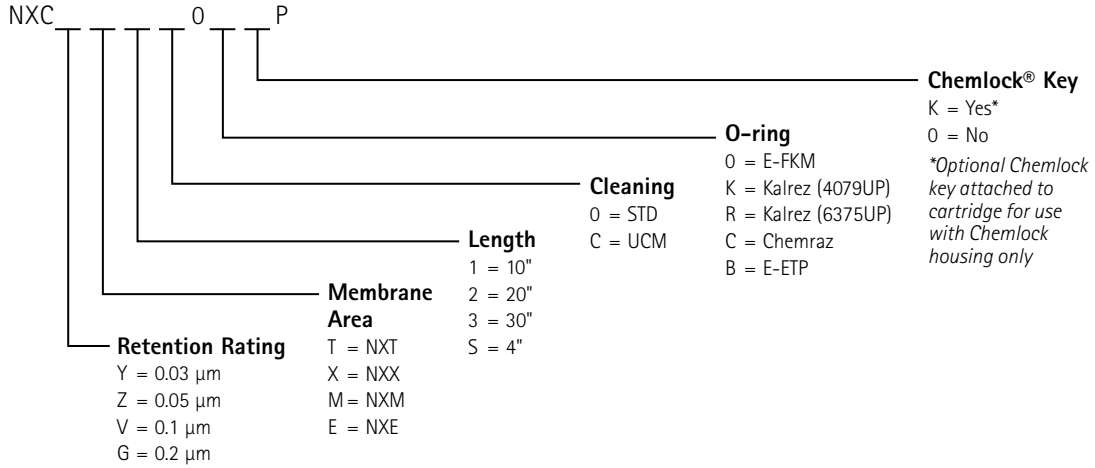
Length	A (Overall)	B (Control)	C (Shoulder)
4"	127.3 mm (5.01")	110.0 mm (4.33")	108.5 mm (4.27")
10"	244.0 mm (9.61")	227.0 mm (8.94")	225.0 mm (8.86")
20"	471.0 mm (18.54")	454.0 mm (17.87")	452.0 mm (17.80")

**Ordering Information**

This information serves as a guide. Please contact your local representative to confirm part numbers.

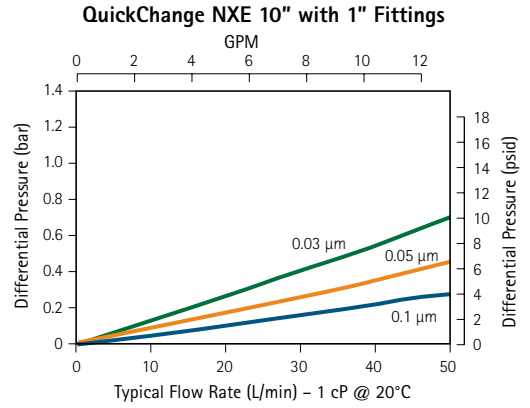
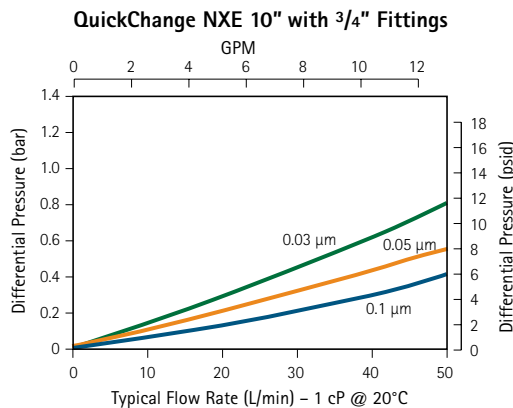
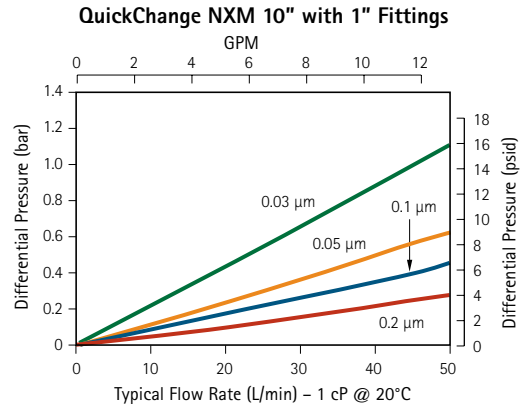
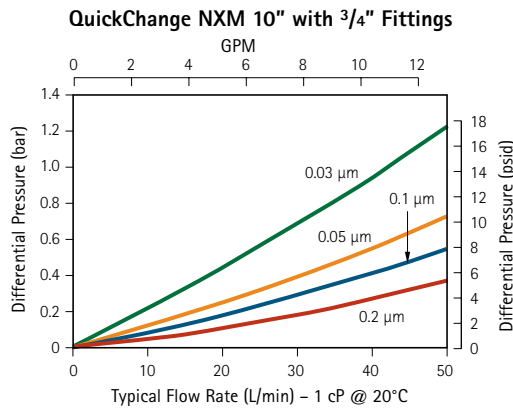
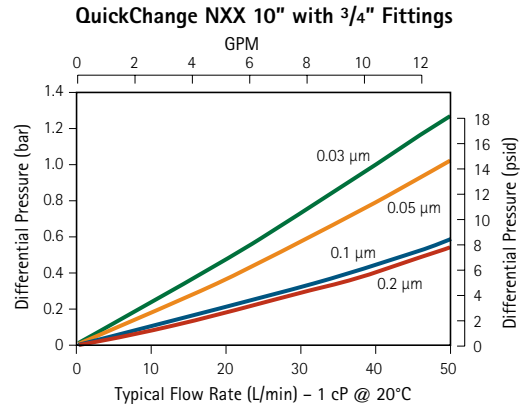
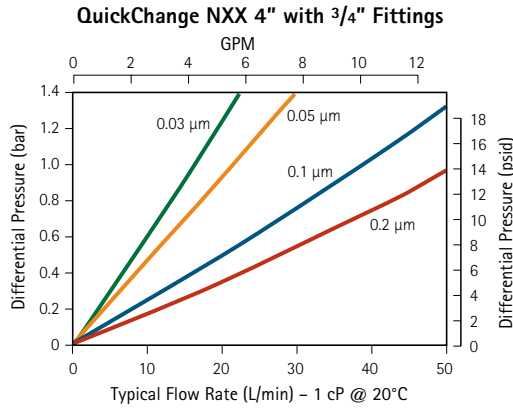
**QuickChange NX Cartridge**

**Part Number**



# QuickChange NXX/NXM/NXE Chem-Line™ I Disposable Filters

## Performance Data

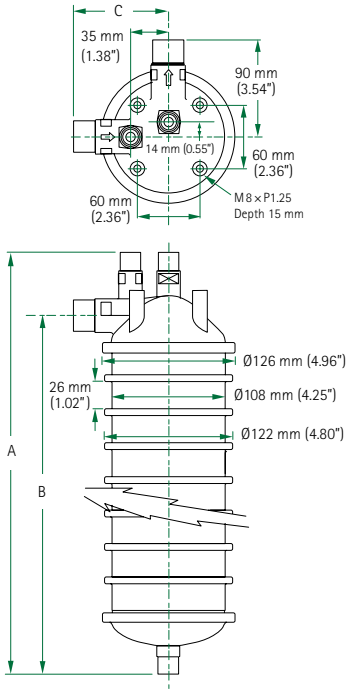




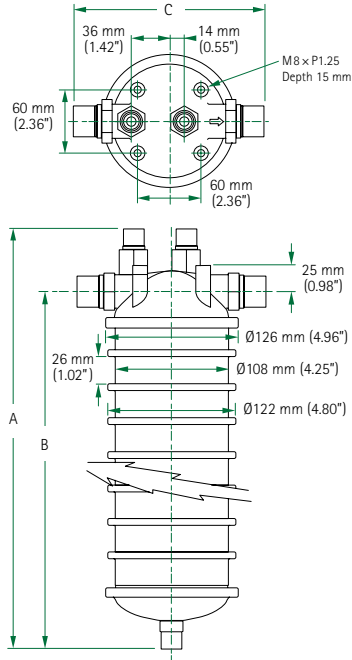
Dimensions

CHEM-LINE I DISPOSABLE FILTERS WITH STANDARD VENT

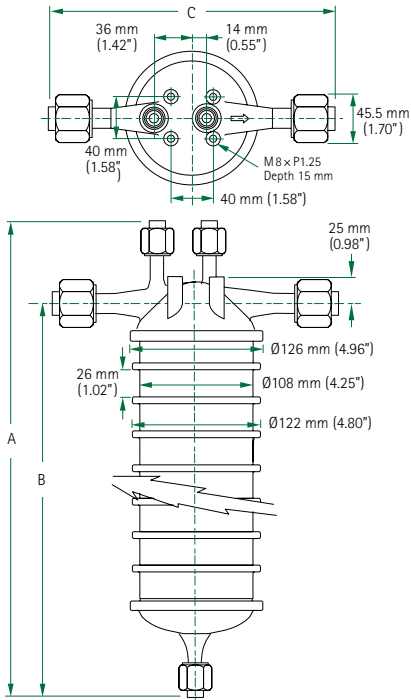
**L02H: L-line**  
3/4" Super Type Pillar® Fittings



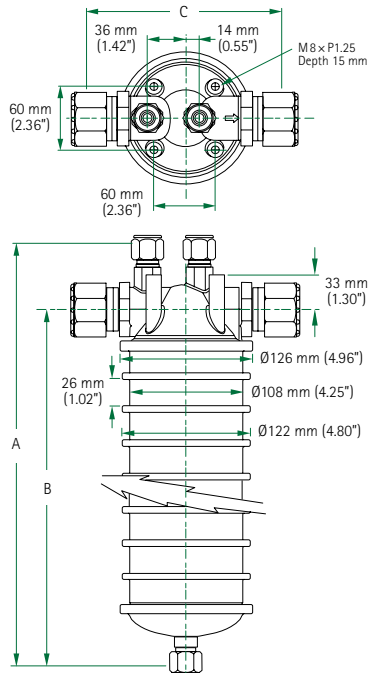
**T02H: T-line**  
3/4" Super Type Pillar Fittings



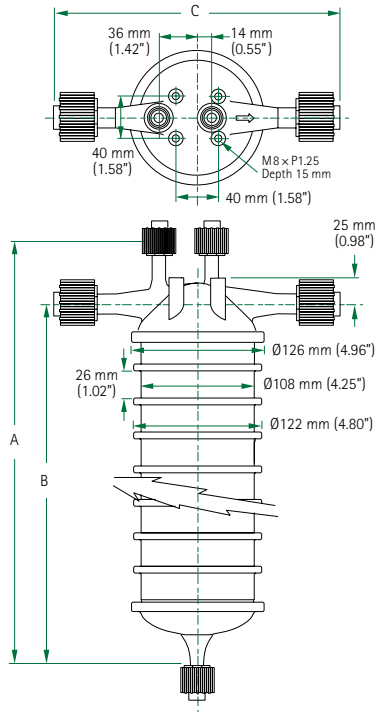
**B02H: T-tube**  
3/4" Super Type Pillar Fittings



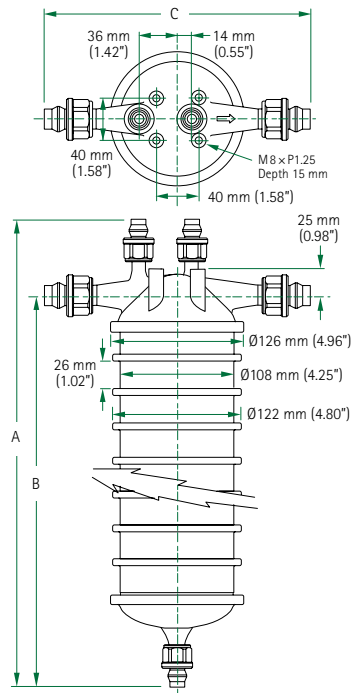
**T42H: T-line**  
1" Super Type Pillar Fittings



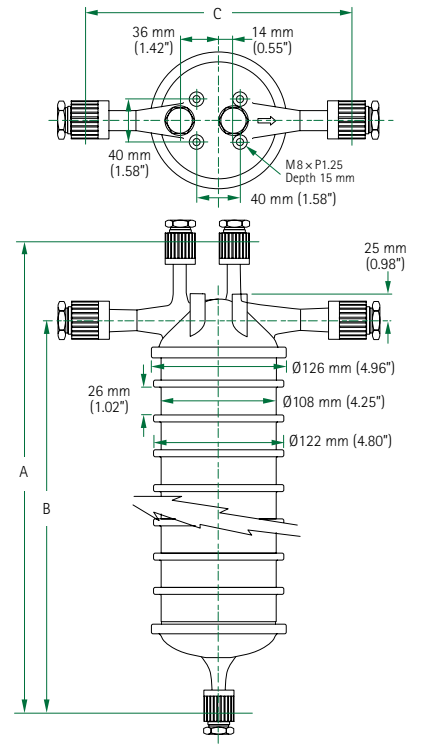
**B02S: T-tube**  
3/4" Super 300 Type Pillar Fittings



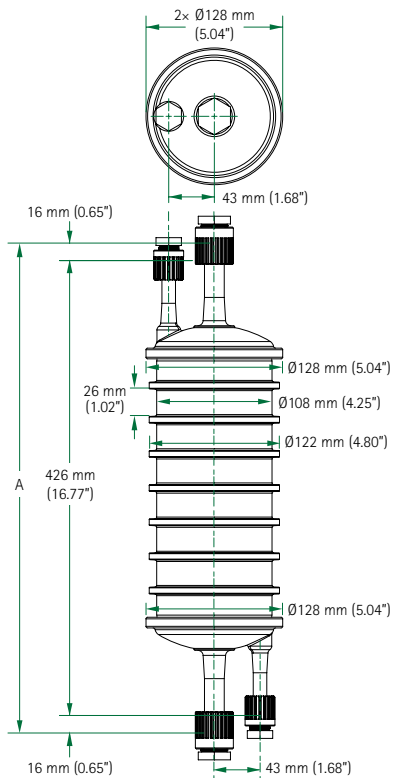
**B02W: T-tube**  
3/4" Flowell® 20 Series Fittings



**B022: T-tube**  
3/4" FlareLock® II Fittings



**F022: S-tube**  
3/4" FlareLock II Fittings

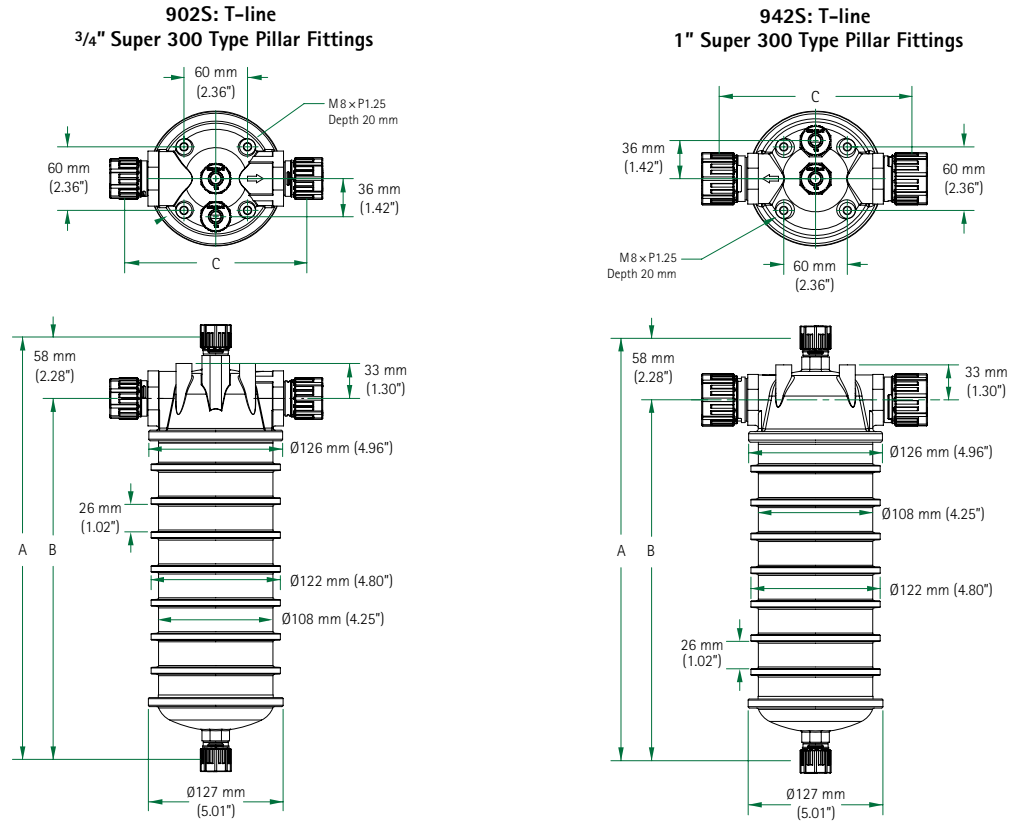


## NOMINAL DIMENSIONS FOR CHEM-LINE I WITH STANDARD VENT

Disposable Type	Configuration	A (Overall Height)	B (Height: Bottom Fitting to Centerline Inlet Fitting)	C (Inlet to Outlet*)
L02H: L-line: 3/4" inlet/outlet, 1/2" vent/drain, Super Type Pillar fittings	NXX 4"	279 mm (11.00")	218 mm (8.58")	90 mm (3.54")*
	NXX/NXM/NXE 10"	395 mm (15.55")	334 mm (13.15")	90 mm (3.54")
T02H: T-line: 3/4" inlet/outlet, 1/2" vent/drain, Super Type Pillar fittings	NXX 4"	280 mm (11.02")	219 mm (8.62")	180 mm (7.08")
	NXX/NXM/NXE 10"	396 mm (15.60")	335 mm (13.20")	180 mm (7.08")
B02H: T-tube: 3/4" inlet/outlet, 1/2" vent/drain, Super Type Pillar fittings	NXX 4"	334 mm (13.14")	254 mm (9.99")	272 mm (10.71")
	NXX/NXM/NXE 10"	450 mm (17.71")	370 mm (14.57")	272 mm (10.71")
T42H: T-line: 1" inlet/outlet, 1/2" vent/drain, Super Type Pillar fittings	NXX 4"	286 mm (11.25")	225 mm (8.87")	188 mm (7.40")
	NXX/NXM/NXE 10"	402 mm (15.82")	341 mm (13.40")	188 mm (7.40")
B02S: T-tube: 3/4" inlet/outlet, 1/2" vent/drain, Super 300 Type Pillar fittings	NXX 4"	333 mm (13.12")	253 mm (9.98")	268 mm (10.55")
	NXX/NXM/NXE 10"	449 mm (17.69")	369 mm (14.55")	268 mm (10.55")
B02W: T-tube: 3/4" inlet/outlet, 1/2" vent/drain, Flowell 20 Series fittings	NXX 4"	320 mm (12.60")	247 mm (9.73")	252 mm (9.92")
	NXX/NXM/NXE 10"	436 mm (17.17")	363 mm (14.30")	252 mm (9.92")
B022: T-tube: 3/4" inlet/outlet, 1/2" vent/drain, FlareLock II fittings	NXX 4"	320 mm (12.60")	247 mm (9.73")	252 mm (9.92")
	NXX/NXM/NXE 10"	436 mm (17.17")	363 mm (14.30")	252 mm (9.92")
F022: S-tube 3/4" inlet/outlet, 1/2" vent/drain, FlareLock II fittings	NXX 4"	343 mm (13.50")		
	NXX/NXM/NXE 10"	459 mm (18.06")		

\*L-line inlet to outlet length is inlet to centerline of outlet fitting.

CHEM-LINE I DISPOSABLE FILTERS WITH ROTATED VENT

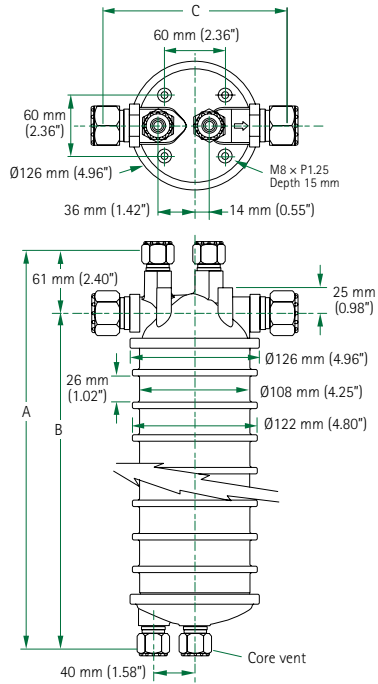


NOMINAL DIMENSIONS FOR CHEM-LINE I WITH ROTATED VENT

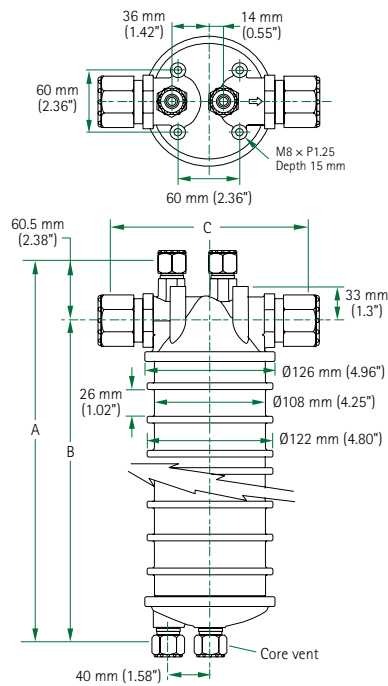
Disposable Type	Configuration	A (Overall Height)	B (Height: Bottom Fitting to Centerline Inlet Fitting)	C (Inlet to Outlet)
902S: T-line: 3/4" inlet/outlet, 1/2" vent/drain, Super 300 Type Pillar fittings	NXX, NXM, NXE 10"	399 mm (15.70")	341 mm (13.42")	172 mm (6.77")
942S: T-line: 1" inlet/outlet, 1/2" vent/drain, Super 300 Type Pillar fittings	NXX, NXM, NXE 10"	399 mm (15.70")	341 mm (13.42")	182 mm (7.17")

CHEM-LINE I DISPOSABLE FILTERS WITH CORE VENT AND CORE VENT (ROTATED)

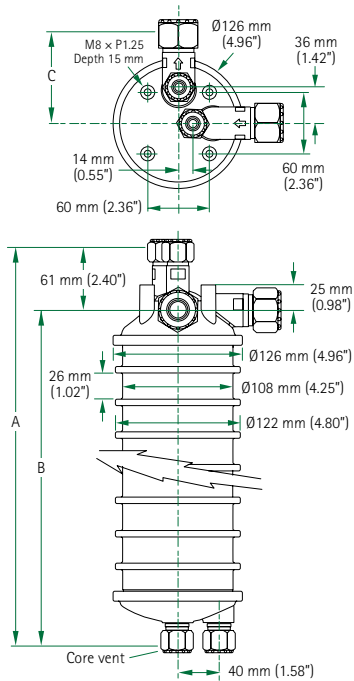
**T02H: T-line 3/4" Super Type Pillar Fittings with Core Vent**



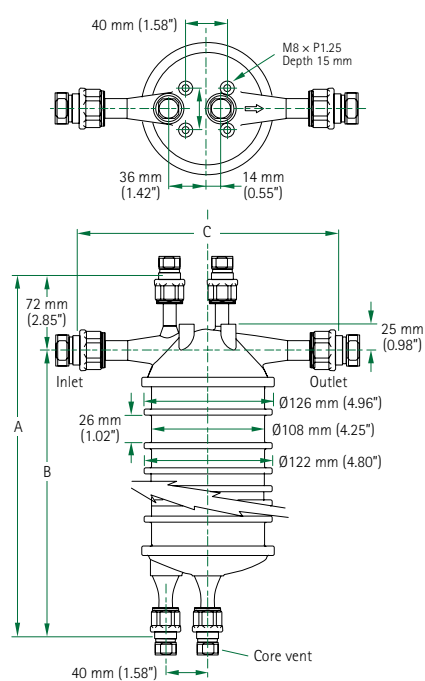
**T42H: T-line 1" Super Type Pillar Fittings with Core Vent**



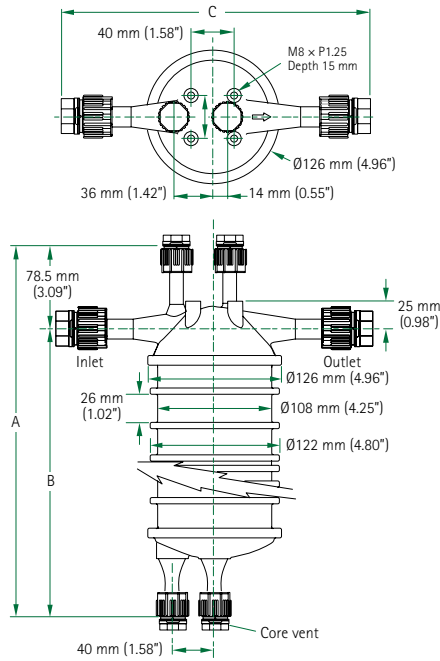
**L02H: L-line 3/4" Super Type Pillar Fittings with Core Vent**



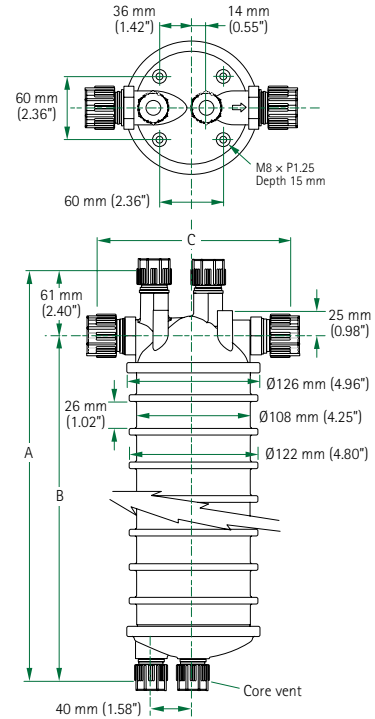
**B02W: T-tube 3/4" Flowell 20 Series Fittings with Core Vent**



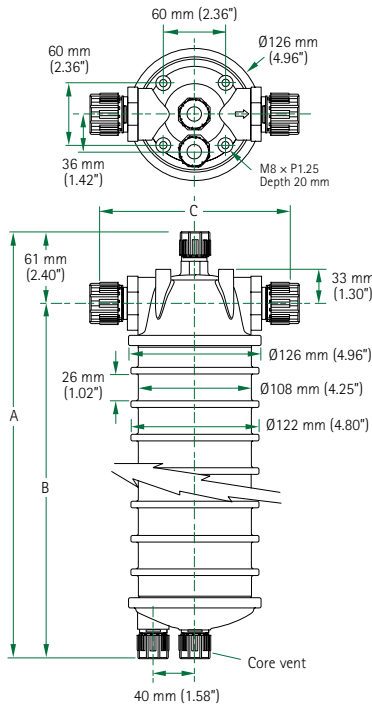
**B02S: T-tube 3/4" Super 300 Type Pillar Fittings with Core Vent**



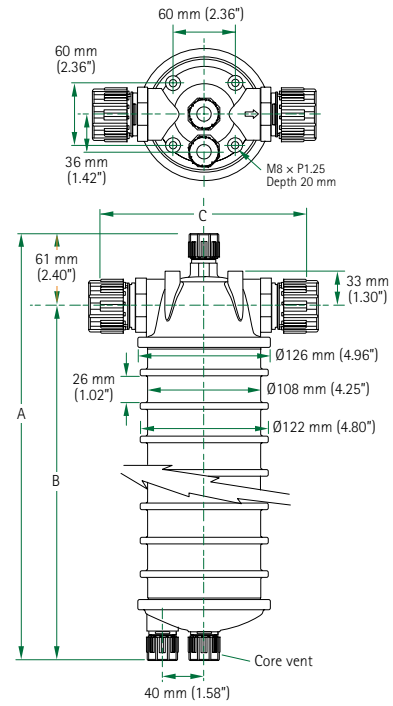
**T02S: T-line 3/4" Super 300 Type Pillar Fittings with Core Vent**



**902S: T-line 3/4" Super 300 Type Pillar Fittings with Core Vent (Rotated)**



**942S: T-line 1" Super 300 Type Pillar Fittings with Core Vent (Rotated)**



## NOMINAL DIMENSIONS FOR CHEM-LINE I WITH CORE VENT

Disposable Type	Configuration	A (Overall Height)	B (Height: Bottom Fitting to Centerline Inlet Fitting)	C (Inlet to Outlet*)
T02H: T-line: 3/4" inlet/outlet, 1/2" vent/drain, Super Type Pillar fittings	NXX/NXM/NXE 10"	388 mm (15.30")	327 mm (12.9")	180 mm (7.08")
T42H: T-line: 1" inlet/outlet, 1/2" vent/drain, Super Type Pillar fittings	NXX/NXM/NXE 10"	394 mm (15.49")	333 mm (13.11")	188 mm (7.40")
L02H: L-line: 3/4" inlet/outlet, 1/2" vent/drain, Super Type Pillar fittings	NXX/NXM/NXE 10"	387 mm (15.24")	326 mm (12.83")	90 mm (3.54")
B02W: T-tube: 3/4" inlet/outlet, 1/2" vent/drain, Flowell 20 Series fittings	NXX/NXM/NXE 10"	436 mm (17.17")	363 (14.30")	252 mm (9.92")
B02S: T-tube: 3/4" inlet/outlet, 1/2" vent/drain, Super 300 Type Pillar fittings	NXX/NXM/NXE 10"	449 mm (17.69")	369 mm (14.55")	268 mm (10.55")
T02S: T-line: 3/4" inlet/outlet, 1/2" vent/drain, Super 300 Type Pillar fittings	NXX/NXM/NXE 10"	386 mm (15.20")	327 mm (12.87")	172 mm (6.77")

\* L-line inlet to outlet length is inlet to centerline of outlet fitting.

## NOMINAL DIMENSIONS FOR CHEM-LINE WITH CORE VENT (ROTATED)

Disposable Type	Configuration	A (Overall Height)	B (Height: Bottom Fitting to Centerline Inlet Fitting)	C (Inlet to Outlet*)
902S: T-line: 3/4" inlet/outlet, 1/2" vent/drain, Super 300 Type Pillar fittings	NXX/NXM/NXE 10"	391 (15.37")	333 mm (13.09")	172 mm (6.77")
942S: T-line: 1" inlet/outlet, 1/2" vent/drain, Super 300 Type Pillar fittings	NXX/NXM/NXE 10"	391 (15.37")	333 mm (13.09")	182 mm (7.17")

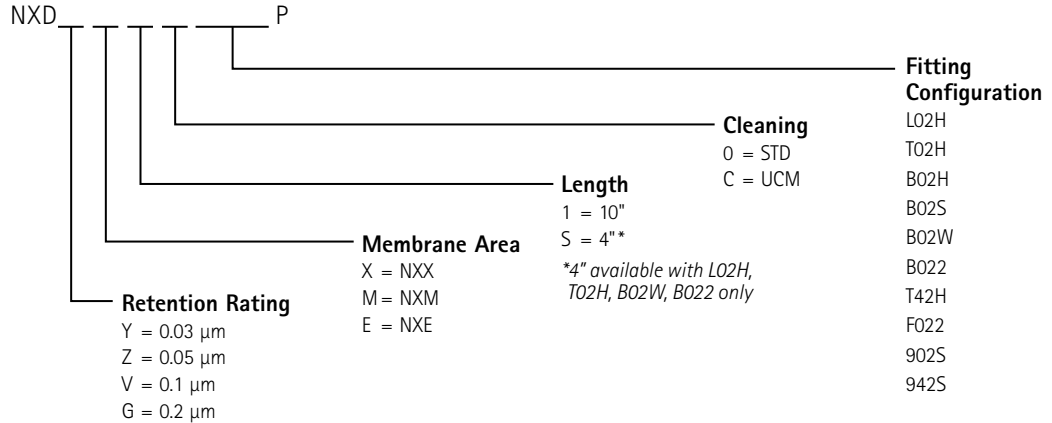
\* L-line inlet to outlet length is inlet to centerline of outlet fitting.

**Ordering Information**

This information serves as a guide. Please contact your local representative to confirm part numbers.

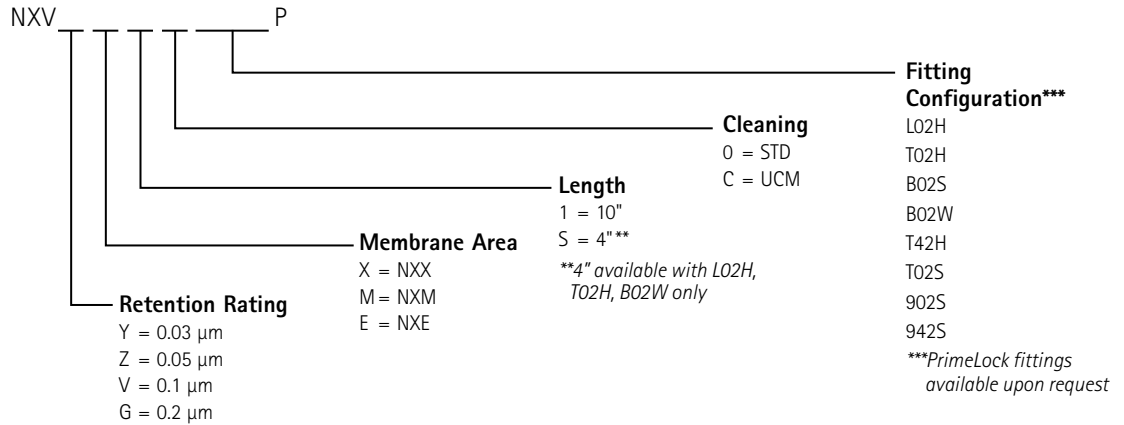
**QuickChange NX Chem-Line I Disposable Standard Vent**

**Part Number**



**QuickChange NX Chem-Line I Disposable Core Vent**

**Part Number**



**Fitting Key**

Key	Configuration	Inlet/Outlet	Vent/Drain	Fitting
L02H	L-Line	3/4"	1/2"	Super Type Pillar
T02H	T-Line	3/4"	1/2"	Super Type Pillar
B02H	T-Tube	3/4"	1/2"	Super Type Pillar
B02S	T-Tube	3/4"	1/2"	Super 300 Type Pillar
B02W	T-Tube	3/4"	1/2"	Flowell 20
B022	T-Tube	3/4"	1/2"	FlareLock II
T42H	T-Line	1"	1/2"	Super Type Pillar
F022	In-Line Female	3/4"	1/2"	FlareLock II
T02S	T-Line	3/4"	1/2"	Super 300 Type Pillar
902S	T-Line Rotated Vent	3/4"	1/2"	Super 300 Type Pillar
942S	T-Line Rotated Vent	1"	1/2"	Super 300 Type Pillar

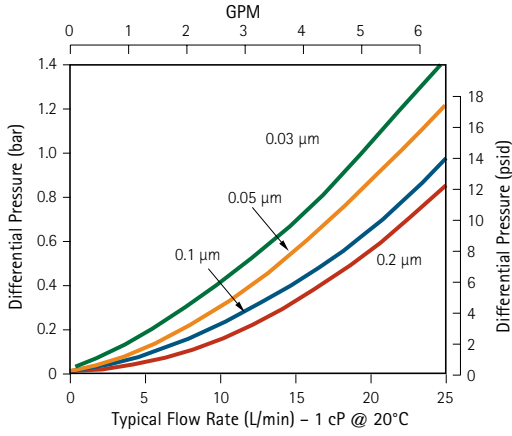
PrimeLock fittings available upon request for Chem-Line I Core Vent



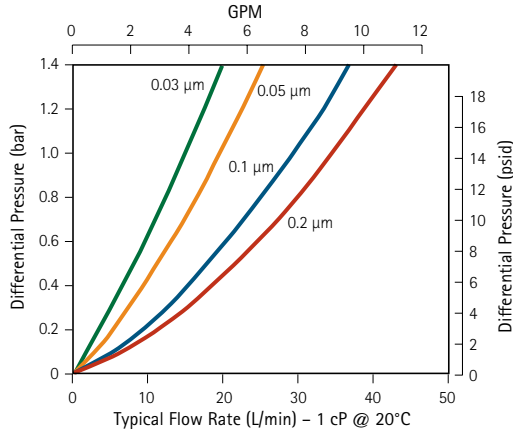
# QuickChange NXX/NXM/NXE Chem-Line II Disposable Filters

## Performance Data

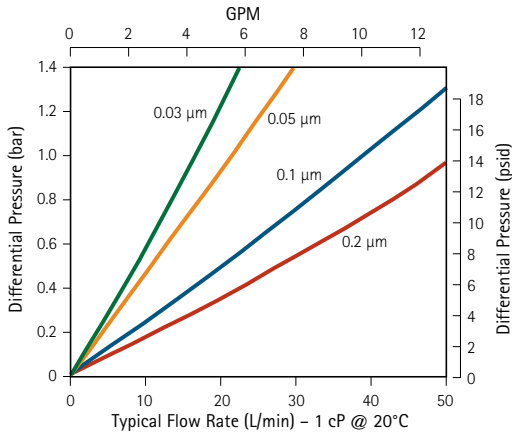
QuickChange NXX 4" with 3/8" Fittings



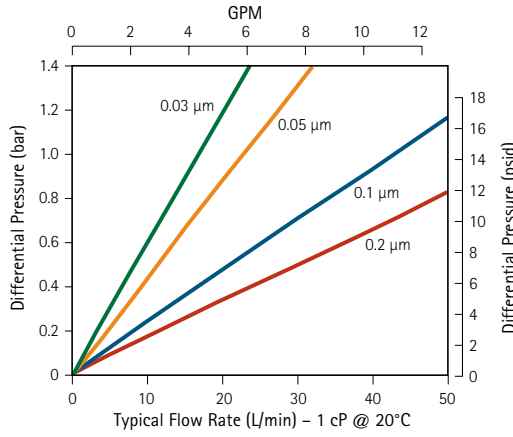
QuickChange NXX 4" with 1/2" Fittings



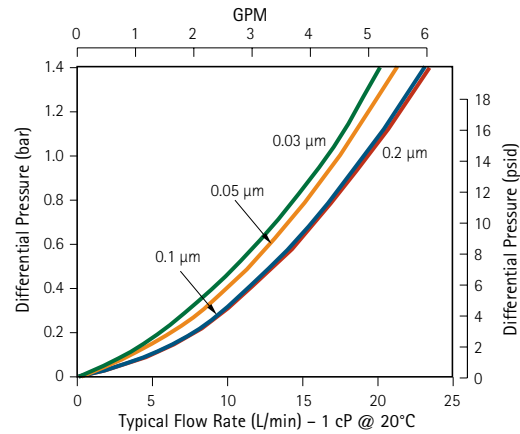
QuickChange NXX 4" with 3/4" Fittings



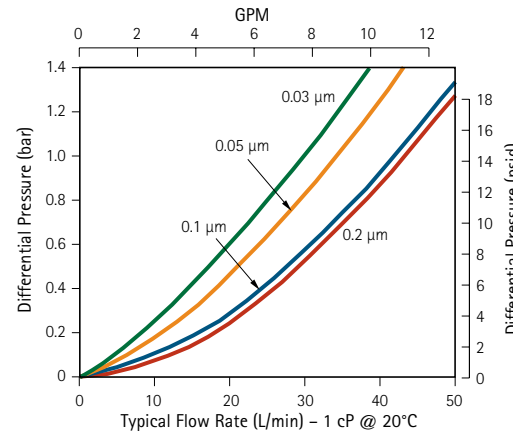
QuickChange NXX 4" with 1" Fittings

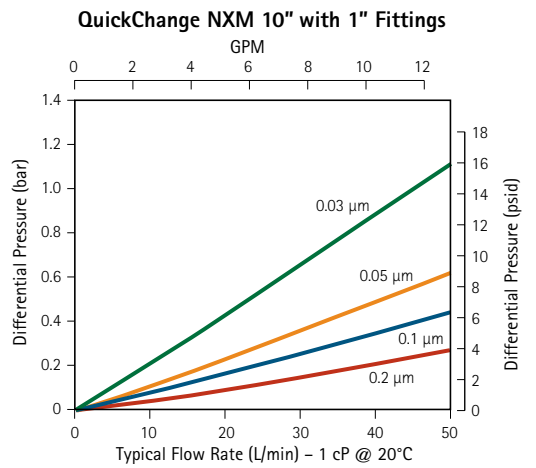
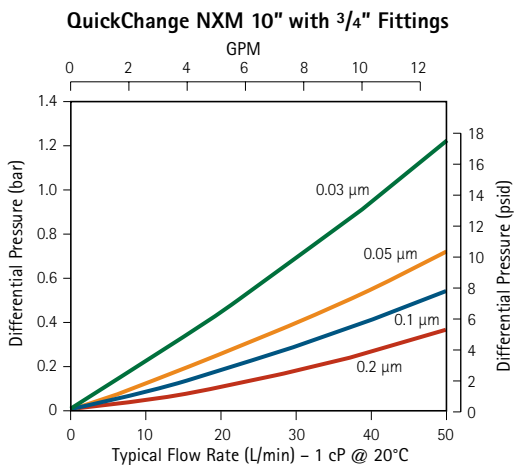
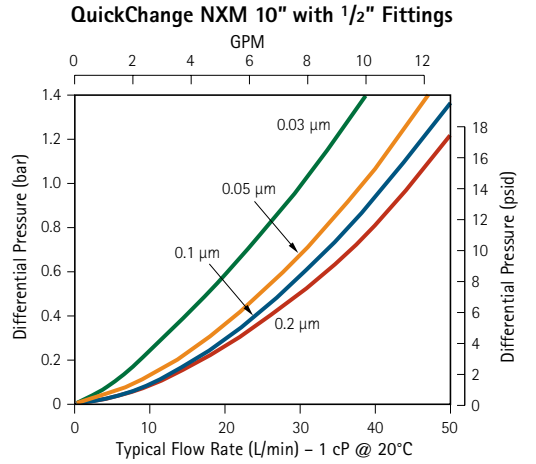
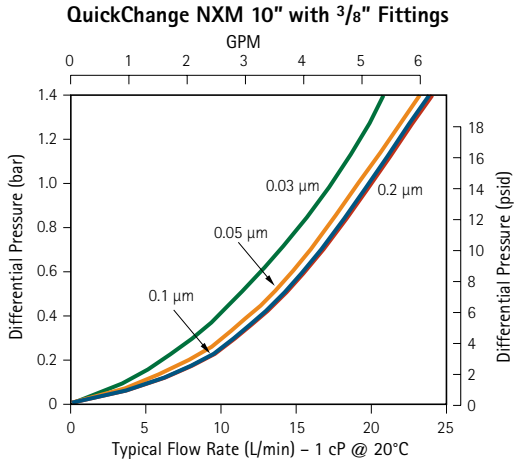
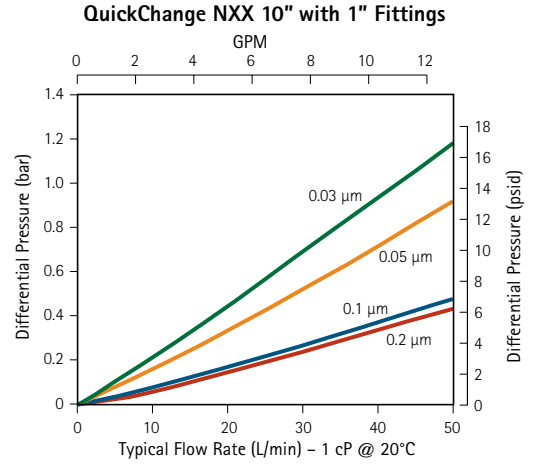
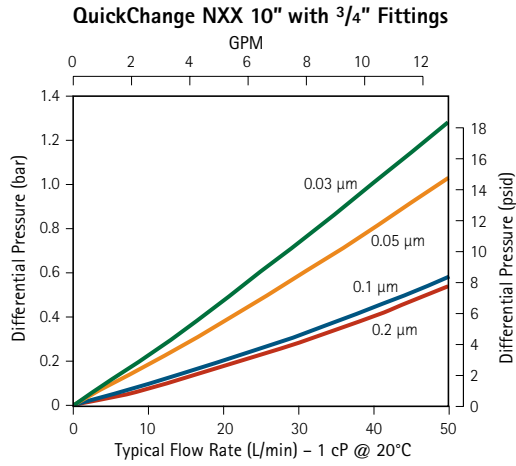


QuickChange NXX 10" with 3/8" Fittings

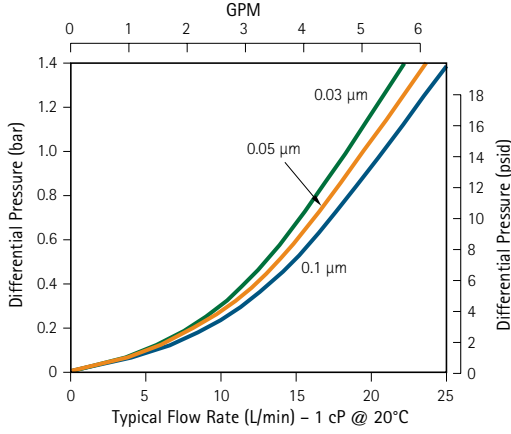


QuickChange NXX 10" with 1/2" Fittings

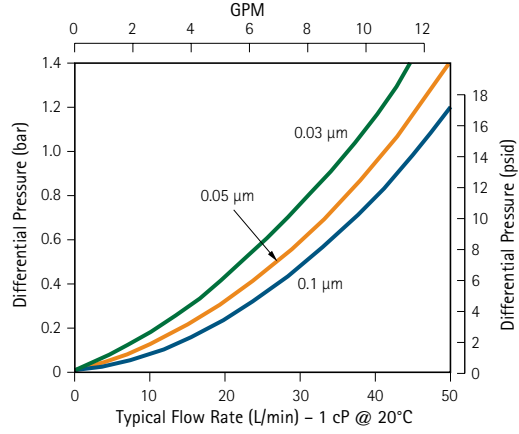




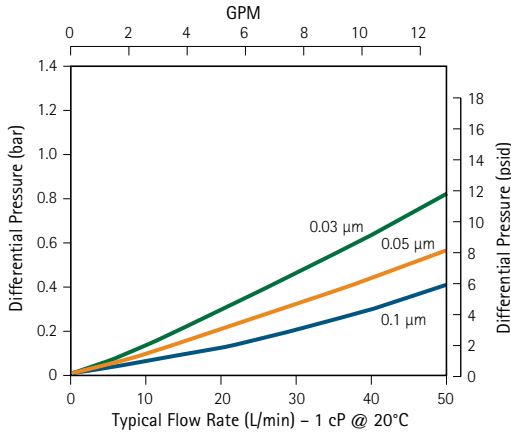
QuickChange NXE 10" with 3/8" Fittings



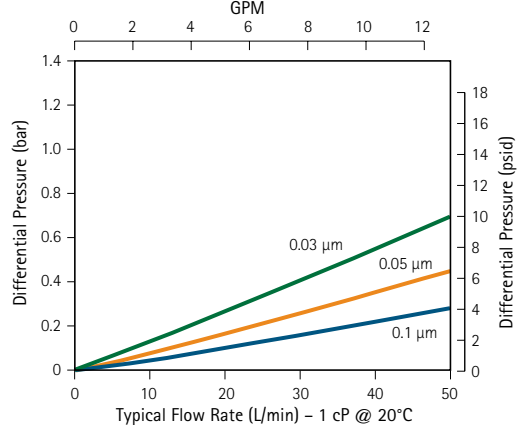
QuickChange NXE 10" with 1/2" Fittings



QuickChange NXE 10" with 3/4" Fittings

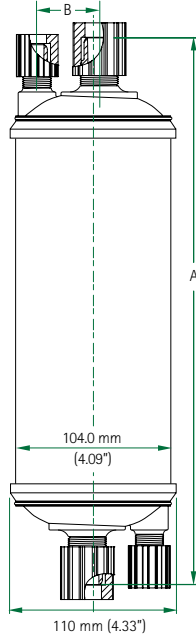


QuickChange NXE 10" with 1" Fittings



**Dimensions**

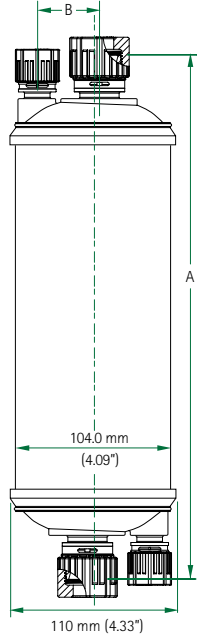
**Flaretek® Fittings with 1/2" Vent/Drain**



**Flowell 60 Series Fittings with 1/2" Vent/Drain**



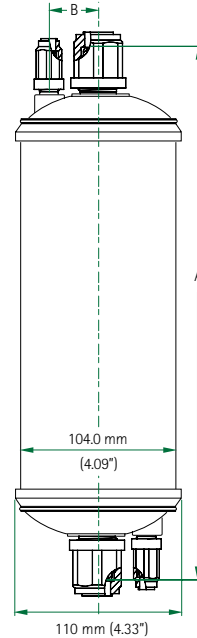
**Super 300 Type Pillar Fittings**



**Flaretek Fittings with 1/4" Vent/Drain**



**Flowell 60 Series Fittings with 1/4" Vent/Drain**



**NOMINAL DIMENSIONS FOR CHEM-LINE II**

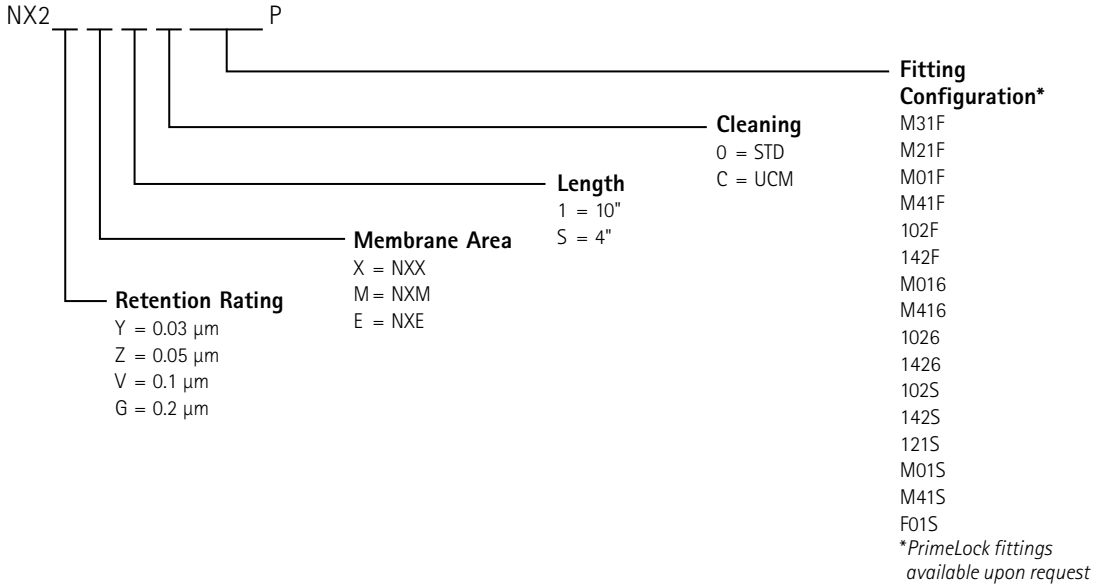
Fittings		Flaretek Fittings			Flowell 60 Series Fittings		Super 300 Type Pillar Fittings (Female)		Super 300 Type Pillar Fittings (Male)		
		B	A	A	A	A	A	A	B	A	A
Inlet/Outlet	Vent/Drain	4"	10"	10"	4"	10"	4"	10"	4"	10"	10"
3/8"	1/4"	37 mm (1.46")	230 mm (9.06")	343 mm (13.51")	-	-	-	-	-	-	-
1/2"	1/4"	37 mm (1.46")	243 mm (9.58")	356 mm (14.03")	-	-	245 mm (9.64")	358 mm (14.09")	41 mm (1.63")	225 mm (8.84")	338 mm (13.31")
3/4"	1/4"	37 mm (1.46")	246 mm (9.68")	359 mm (14.13")	248 mm (9.77")	361 mm (14.22")	-	-	37 mm (1.46")	237 mm (9.32")	350 mm (13.77")
3/4"	1/2"	41 mm (1.63")	250 mm (9.85")	363 mm (14.30")	241 mm (9.49")	354 mm (13.94")	-	-	41 mm (1.63")	236 mm (9.29")	349 mm (13.74")
1"	1/4"	37 mm (1.46")	255 mm (10.02")	368 mm (14.47")	258 mm (10.16")	371 mm (14.61")	-	-	37 mm (1.46")	270 mm (10.62")	383 mm (15.07")
1"	1/2"	41 mm (1.63")	263 mm (10.37")	376 mm (14.82")	253 mm (9.96")	366 mm (14.41")	-	-	41 mm (1.63")	268 mm (10.55")	381 mm (14.99")

**Ordering Information**

This information serves as a guide. Please contact your local representative to confirm part numbers.

**QuickChange NX Chem-Line II Disposable**

**Part Number**



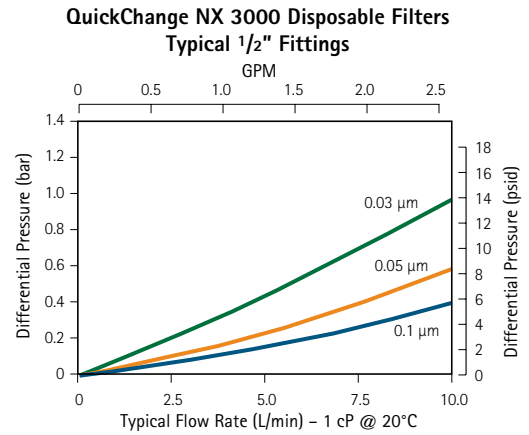
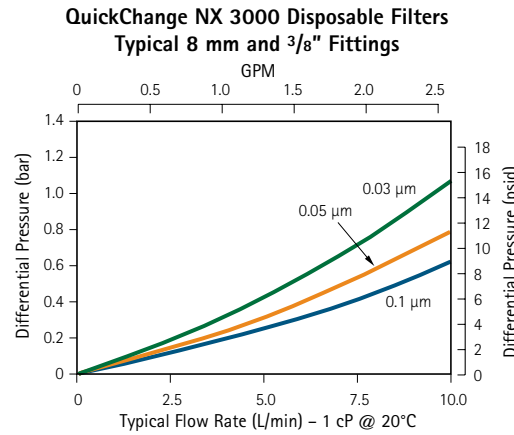
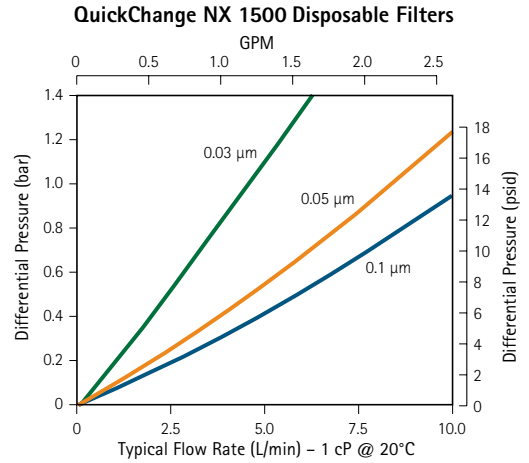
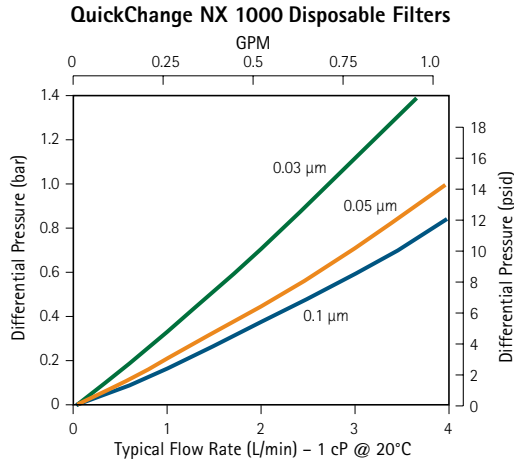
**Fitting Key**

Key	Configuration	Inlet/Outlet	Vent/Drain	Fitting
M31F	In-Line Male	3/8"	1/4"	Flaretek
M21F	In-Line Male	1/2"	1/4"	Flaretek
M01F	In-Line Male	3/4"	1/4"	Flaretek
M41F	In-Line Male	1"	1/4"	Flaretek
102F	In-Line Male Offset	3/4"	1/2"	Flaretek
142F	In-Line Male Offset	1"	1/2"	Flaretek
M016	In-Line Male	3/4"	1/4"	Flowell 60
M416	In-Line Male	1"	1/4"	Flowell 60
1026	In-Line Male Offset	3/4"	1/2"	Flowell 60
1426	In-Line Male Offset	1"	1/2"	Flowell 60
102S	In-Line Male Offset	3/4"	1/2"	Super 300 Type Pillar
142S	In-Line Male Offset	1"	1/2"	Super 300 Type Pillar
121S	In-Line Male Offset	1/2"	1/4"	Super 300 Type Pillar
M01S	In-Line Male	3/4"	1/4"	Super 300 Type Pillar
M41S	In-Line Male	1"	1/4"	Super 300 Type Pillar
F01S	In-Line Female	3/4"	1/4"	Super 300 Type Pillar

PrimeLock fittings available upon request

## QuickChange NX 1000/1500/3000 Disposable Filters

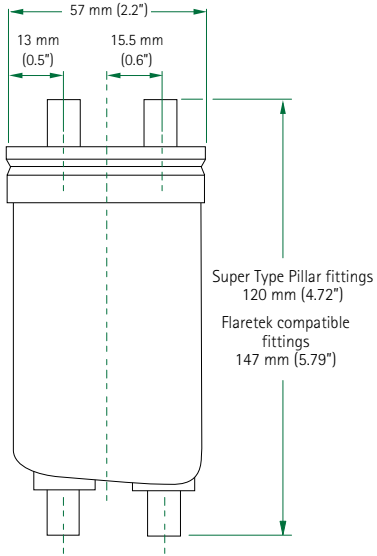
### Performance Data



**Dimensions**

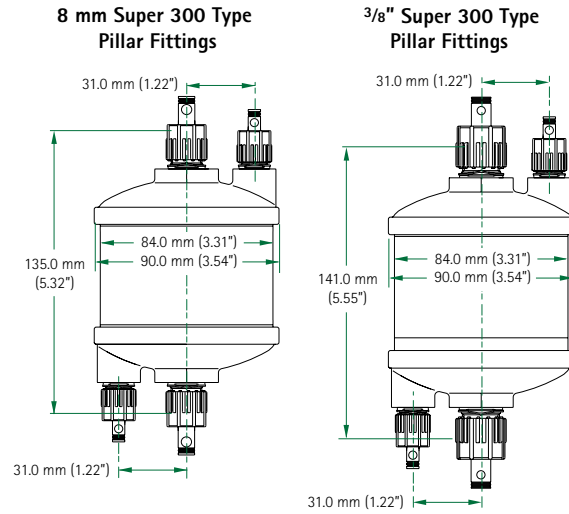
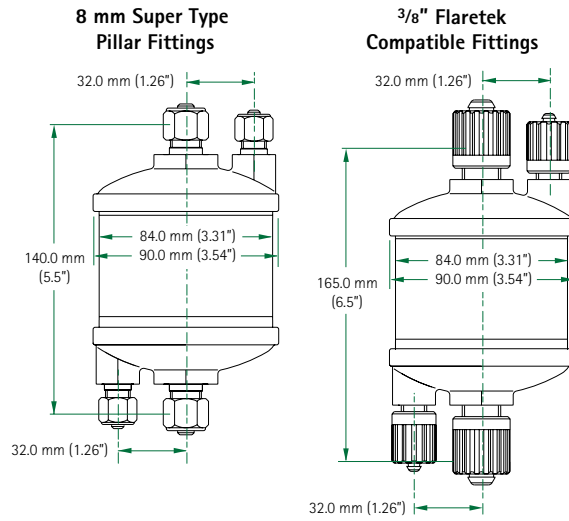
**QUICKCHANGE NX 1000 DISPOSABLE FILTERS**

**Nominal Dimensions**



**QUICKCHANGE NX 1500 DISPOSABLE FILTERS**

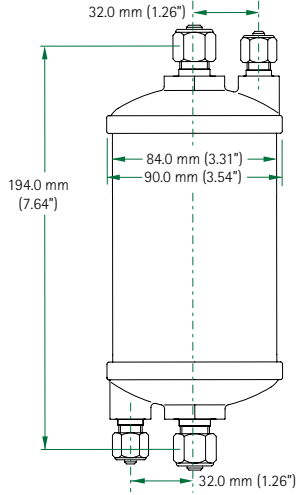
**Nominal Dimensions**



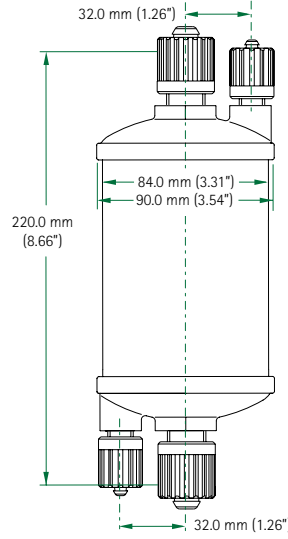
QUICKCHANGE NX 3000 DISPOSABLE FILTERS

Nominal Dimensions

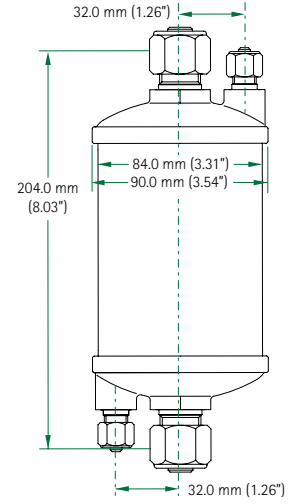
8 mm Super Type Pillar Fittings



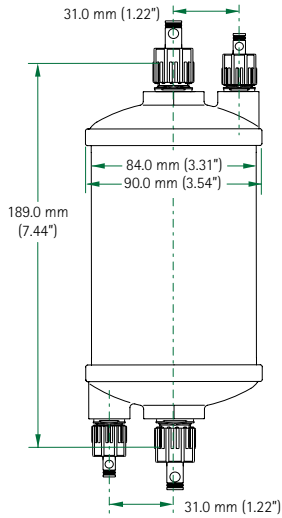
3/8" Flaretek Compatible Fittings



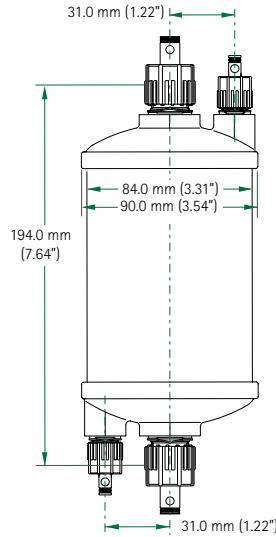
1/2" Super Type Pillar Fittings



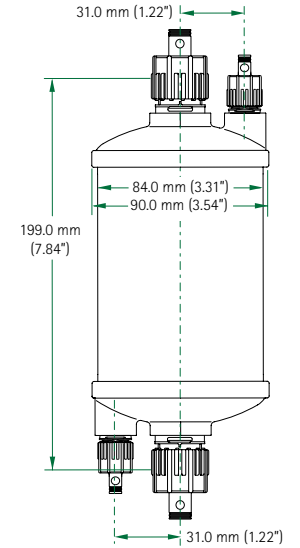
8 mm Super 300 Type Pillar Fittings



3/8" Super 300 Type Pillar Fittings



1/2" Super 300 Type Pillar Fittings



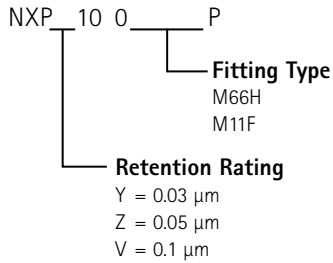


**Ordering Information**

This information serves as a guide. Please contact your local representative to confirm part numbers.

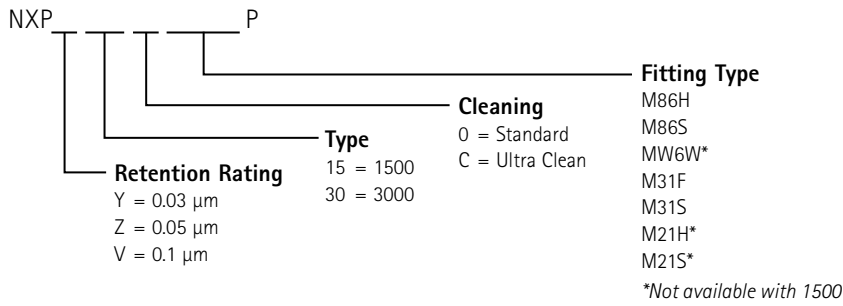
**QuickChange NX 1000 Disposable**

**Part Number**



**QuickChange NX 1500/3000 Disposable**

**Part Number**



**Fitting Key**

Key	Inlet/Outlet	Vent/Drain	Fitting
M66H	6 mm	6 mm	Super Type Pillar
M11F	1/4"	1/4"	Flaretek
M86H	8 mm	6 mm	Super Type Pillar
M86S	8 mm	6 mm	Super 300 Type Pillar
MW6W*	12 mm	6 mm	Flowell 20
M31F	3/8"	1/4"	Flaretek
M31S	3/8"	1/4"	Super 300 Type Pillar
M21H*	1/2"	1/4"	Super Type Pillar
M21S*	1/2"	1/4"	Super 300 Type Pillar

*\*Not available with 1500*

## For More Information

Please call your Regional Customer Service Center today to learn what Entegris can do for you. Visit [www.entegris.com](http://www.entegris.com) and select the Customer Service link for the center nearest you.

## Terms and Conditions of Sale

All purchases are subject to Entegris' Terms and Conditions of Sale. To view and print this information, visit [www.entegris.com](http://www.entegris.com) and select the Legal Notices link from the footer.

Entegris®, the Entegris Rings Design®, Creating a Material Advantage®, Chemlock®, Chem-Line™, FlareLock®, Flaretek®, PrimeLock® and QuickChange® are trademarks of Entegris, Inc. Flowell™ is a trademark of Flowell Corporation. Pillar® is a registered trademark of Nippon Pillar Packing Company, Ltd. Chemraz® is a registered trademark of Greene, Tweed and Co. Kalrez® is a registered trademark of DuPont Dow Elastomers, LLC.

---

### ENTEGRIS, INC.

Corporate Headquarters | 129 Concord Road | Billerica, MA 01821 USA  
Customer Service Tel. +1 952 556 4181 | Customer Service Fax +1 952 556 8022  
In North America 800 394 4083 | [www.entegris.com](http://www.entegris.com)