



Putzmeister

**Wear parts
Machines**

Delivery lines

**Application accessories
and spare parts**

**Machine related
service / wear parts**



Spare parts and Accessories 2018/2019

for plastering machines, screed conveyors and fine concrete pumps

Putzmeister Genuine Accessories

The Putzmeister Mörtelmaschinen GmbH has one of the world's most extensive ranges of high-performance machinery for screed, self levelling floor screed, plaster and fine concrete or shotcrete applications.

Maximum availability guaranteed

Thanks to the highest quality standards we are able to guarantee you a maximum service life and wear resistance. However, maintenance and repairs cannot be avoided in tough everyday operation on the building site. Here too we assist you as a reliable partner. This also includes 12,000 items in stock that we can deliver to you in the shortest possible time. Thus, your machine is fully operational again in a very short time.

The same also applies to original spare parts for your oldtimer. Fortunately, there are more of these than you think.

Flexibility thanks to quality accessories

Additionally, you can adapt your machine to your needs thanks to our wide range of accessories. Adapt to meet requirements.

Place your trust in Putzmeister and our genuine accessories and spare parts.



Table of contents

Wear Parts Machines

Wear parts Pneumatic conveyors

Wear plates	6
Mixers	9
Hoppers	10
Safety grid/Seals for mixer drum	11
Outlets mixing chambers	11

Wear parts Worm pumps

Stators and Rotors	12
Mixer pumps	12
Worm pumps	12
Self levelling floor screed pumps	16
Mounting spray	12

You can also find other wear parts in the section "Machine related Service and Wear Parts".

Delivery Line Systems

Delivery lines

Mortar hoses	20
Delivery hoses	24
Concrete hoses	26
Delivery pipes	28
Pipe clamps	30
Hose caddy	30
Manual gate valve	30
Pumping aids, PM slick-pak	30

Couplings and spare parts

Cardan couplings for mortar and delivery hoses	31
PM couplings for mortar and delivery hoses	32
SK couplings for concrete hoses and delivery pipes	34
GEKA quick-release couplers	34
Seals	35
Cam levers	35
Hose clips	36
Hose connectors	37

Cleaning

Sponge rubber balls	37
Cleaning accessories	37

Application Accessories and Spare Parts

Screed

Discharge stands	40
Smoothing machine	42
Tools for screed layers	43
Screed layer trousers	44
Overshoes, spikes, knee pads	45

Plastering

Spray guns with nozzles	46
Compressors	50
Hopper guns	50
Water pumps	51
In-line mixers	51
Tools for plasterers	52

Concrete

Spray guns with nozzles	55
Pumping aids, PM slick-pak	55

Application accessories General

Water hoses and air hoses	56
Hose clips for air hoses	56
Pressure gauges	57
Cleaning and care products	58
Test and measurement equipment	59
Accessories General	59
Machine and working accessories	60
Cables and cable drums	61

Machine related Service and Wear Parts

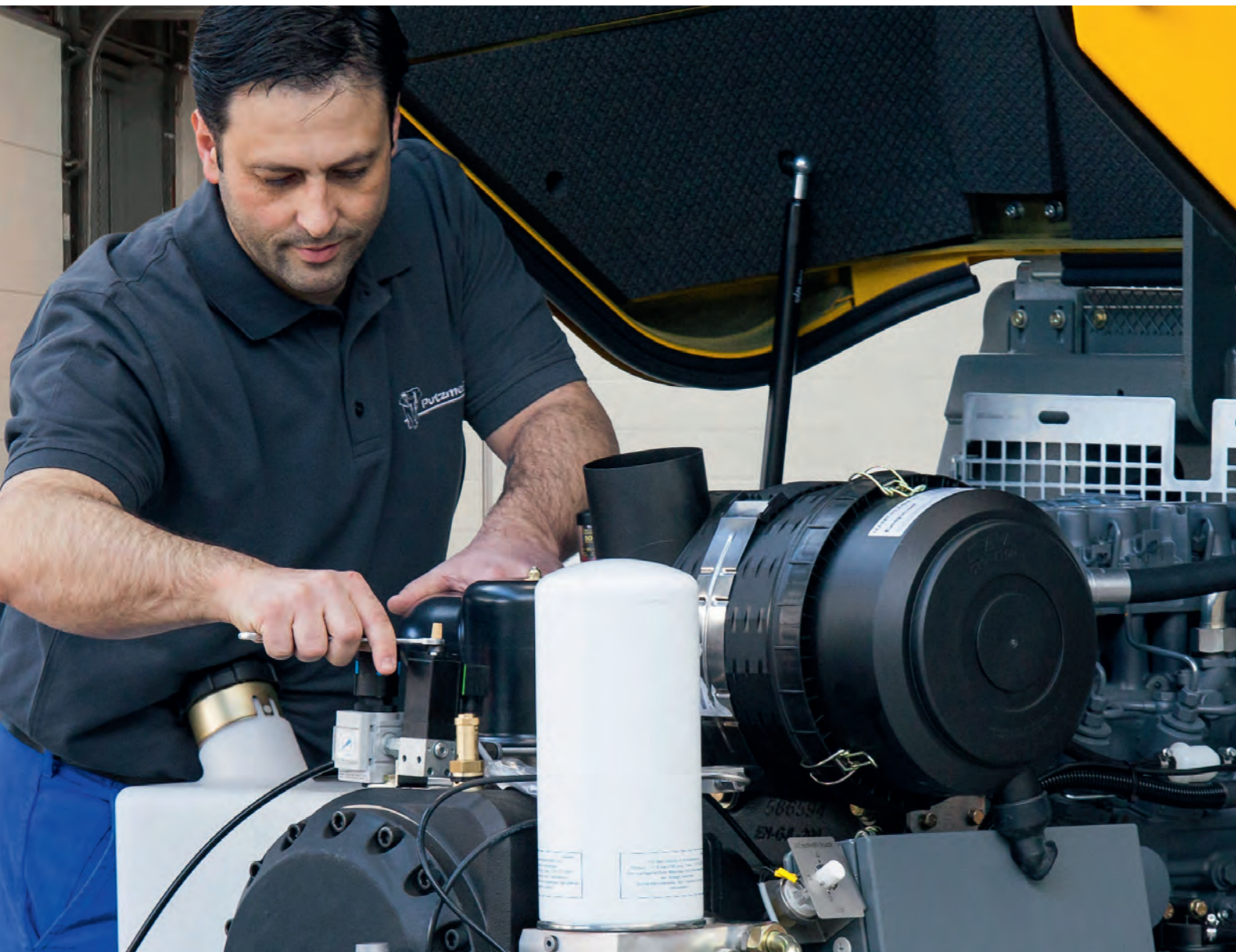
Service and maintenance kits current machine generations

Overview of service packages	
Screed machines	64
Mixokret M 740/M 760	66
P 715/ P 718	70
P 13	72

MP 25	76
FHS	78
S 5 EV/TM	80
DC 450/ DC 550	82
SP 11	86

Useful / Conversion tables	89
Index	90

1. Wear Parts Machines



Matched to the application

The delivery of fine plaster places other demands on the individual components than sand or gravel. The costs, particularly for wear and spare parts, must be kept manageable, however.

For this reason, our machines have wear parts that are matched to the relevant, intended purpose in their service life.

Wear parts Pneumatic conveyors

Wear plates	6
Mixers	9
Hoppers	10
Safety grid/Seals for mixer drum	11
Outlets mixing chambers	11

Wear parts Worm pumps

Stators and Rotors	12
Mixer pumps	12
Worm pumps	12
Self levelling floor screed pumps	16
Mounting spray	12

You can also find other wear parts in the section "Machine related Service and Wear Parts".

Technology with value added

We are reliable partners for our customers as regards machines as well as servicing. This is demonstrated, among other things, through an

- Extensive network of sales partners
- Seamless, easily understandable technical documentation
- Skilled points of contact to answer your concerns
- Fast, uncomplicated order processing
- Short delivery times, particularly for spare parts and accessories
- Fair pricing
- Certification according to DIN ISO 9001



More reliability through vast storage capacity and fast delivery

Only with maximum availability of your machine you can work with maximum efficiency. Our worldwide service supports you reliably to achieve this. Thus, at our main plant in Aichtal as well as at our service support points, for instance, we stock large inventories with all original wear and spare parts as well as with the common accessories.

As a result, we are able to deliver you the required part within a very short time.



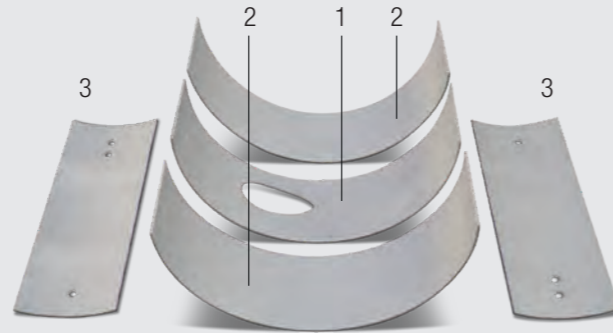
Wear plates for M 740/760 – DC 450/550 – EB 450/550 – EC 450

Wear-resistant standard sheet metal 5 mm

	Fig.	Art. No.
Wear plate with hole	1	429 862
Wear plate front/back (2x)	2	429 864
Wear plate lengthwise (2x)	3	429 865
Wear plate incl. mounting kit		524 537

Mounting kit

	Art. No.
Flat head screw (10x)	454 147
Cap nut (10x)	033 606.002
Seal ring (10x)	018 891.007

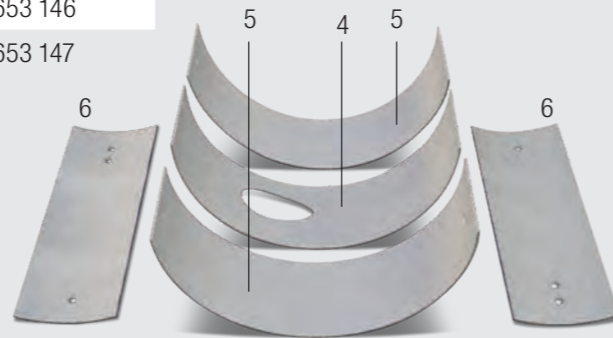


Highly wear-resistant wear plates 6 mm / 8 mm

	Fig.	Art. No. (6mm)	Art. No. (8mm)
Wear plate with hole	4	212 322.000	653 144
Wear plate front/back (2x)	5	212 321.001	653 145
Wear plate lengthwise (2x)	6	212 323.009	653 146
Wear plate incl. mounting kit		214 307.007	653 147

Mounting kit

	Art. No.
Flat head screw (10x)	031 366.001
Cap nut (10x)	033 606.002
Seal ring (10x)	543 976

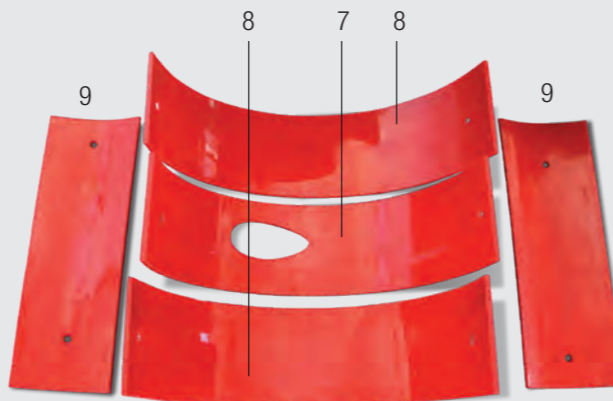


Highly wear-resistant plastic wear plates, red, 9.5 mm

	Fig.	Art. No.
Wear plate with hole	7	484 310
Wear plate front/back (2x)	8	484 311
Wear plate lengthwise (2x)	9	484 312
Wear plate incl. mounting kit		492 658

Mounting kit

	Art. No.
Flat head screw (10x)	202 194.002
Cap nut (10x)	033 606.002
Seal ring (10x)	543 976



Wear-resistant standard sheet metal 5 mm

	Fig.	Art. No.
Front wear plate I (2x)	1	430 139
Front wear plate II (2x)	2	430 140
Top wear plate	3	631 282
incl. mounting kit		635 146



Wear plates for M 730

Wear-resistant standard sheet metal 5 mm

	Fig.	Art. No.
Wear plate I	3	430 208
Wear plate II	4	430 209
Wear plate incl. mounting kit		524 538

Mounting kit

	Art. No.
Flat head screw (4x)	454 147
Cap nut (4x)	033 606.002
Seal ring (4x)	018 891.007



Wear plates for M 500

Wear-resistant standard sheet metal 5 mm

	Fig.	Art. No.
Wear plate with hand hole	5	401 660
Wear plate (3x)	6	073 163.000

Mounting kit

	Art. No.
Cap nut (12x)	033 606.002
Seal ring (12x)	037 526.007



Wear plates for DC 260, EC 260

Side and lengthwise plates

	Fig.	Art. No.
Wear plate half shell A+B	1	H12 0106 0100
Wear plate lengthwise, 5 mm	2	H20 0001 5181
Wear plate lengthwise, 6 mm	2	H14 0101 1007
Mounting kit (4×) comprising: Screw, nut, washer seal		H80 6020 15



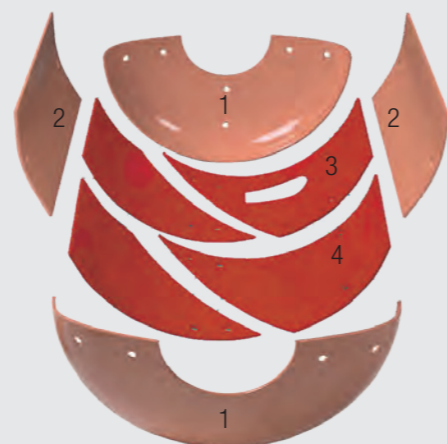
Discharge front right

Wear plates, 5 mm

	Fig.	Art. No.
Wear plate A½ divided, with discharge	3	H12 0105 0210
Wear plate A½ divided, without discharge	4	H12 0105 0200
Wear plate incl. mounting kit		H80 6010 50

Highly wear-resistant wear plates, 6 mm

	Fig.	Art. No.
Wear plate A½ divided, with discharge	3	H14 0101 1111
Wear plate A½ divided, without discharge	4	H14 0101 1112
Wear plate incl. mounting kit		H14 0101 1113



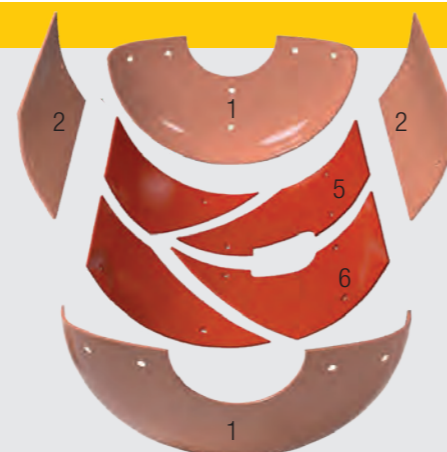
Discharge centre right

Wear plates, 5 mm (offset hole pattern)

	Fig.	Art. No.
Wear plate divided, front	5	H12 0105 0225
Wear plate divided, back	6	H12 0105 0226
Wear plate incl. mounting kit		H12 0105 0227

Highly wear-resistant wear plates, 6 mm (offset hole pattern)

	Fig.	Art. No.
Wear plate divided, front	5	H14 0101 1006
Wear plate divided, back	6	H14 0101 1005
Wear plate incl. mounting kit		H14 0101 1008



Straight hole pattern, acc. figure

	Fig.	Art. No.
Wear plate divided, front	5	H12 0105 0700
Wear plate divided, back	6	H12 0105 0710
Wear plate incl. mounting kit		H80 6060 50

Mixers for M 3000, M 700, M 740, M 760

Mixing blades

	Fig.	Art. No.
Mixing blade, front (1×)	1	205 305.005
Mixing blade, centre (2×)	2	205 306.004
Mixing blade, back (1×)	3	205 237.005



Mixing blade holder

	Fig.	Art. No.
Mixing blade holder, front (2×)	4	205 513.004
Mixing blade holder, back (2×)	4	205 514.003
Mounting kit mixer blade Mixokret		546 305



Mixer blade kit complete in plastic bucket

	Fig.	Art. No.
Mixer blade kit incl. mounting kit	5	206 581.006



Mixers for M 730

Mixing blades

	Fig.	Art. No.
Mixing blade, front, narrow (1×)	6	207 885.002
Mixing blade, centre, narrow (2×)	7	207 886.001
Mixing blade, back, narrow (1×)	8	207 887.000



Mixing blade holder

	Fig.	Art. No.
Mixing blade holder, front (2×)	9	205 513.004
Mixing blade holder, back (2×)	9	205 514.003
Mounting kit mixer blade Mixokret		546 305



Mixers for M 500

Mixing blades

	Fig.	Art. No.
Mixing blade, front (1×)	1	205 305.005
Mixing blade, centre (4×)	2	205 306.004
Mixing blade, back (1×)	3	205 237.005



Mixing blade holder

	Fig.	Art. No.
Mixing blade holder, outside (3×)	4	471 601
Mixing blade holder, inside (3×)	5	471 599



Mixers for EstrichBoy DC/EB/EC 450/550/260

Mixer complete, with screws

Outflow FRONT right (Art. No. H81 0100 00)			
Outflow CENTRE right (Art. No. H81 0100 10)			
	Fig.	Art. No.	
Mixer blade B 1	6	H72 1000 1000	2× 1×
Mixer blade B 3	7	H72 1000 3000	2× 3×
Clamp BK 54	8	H72 0000 5400	4× 4×
Clamp B 01	9	H72 0000 1000	4× 4×
Mounting kit mixer (4×) including cover plates H72 4003 5060		544 328	1× 1×



Hoppers

For current versions M 740/760, M 500/700 and DC/EC 450/550

Design	Fig.	Art. No.
A1 crosswise, galvanised	10	580 235
A2 lengthwise, galvanised	11	580 237
for B and BS versions	12	579 732



For old versions of Mixokret and Brinkmann

Design	Art. No.
Mixokret, D versions	212 667.008
Mixokret, DB and DBS versions	400 818
Brinkmann, A½, right	H19 2301 1051

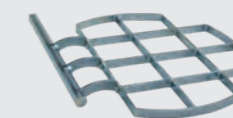
Design	Art. No.
Brinkmann, A½, back	H19 2301 1050
Brinkmann, B and BS versions	H18 0552 0200



Safety grid and seals for mixer drum

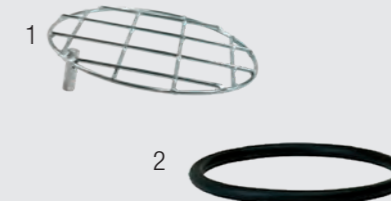
For current versions M 740/760, M 500/700 and DC/EC 450/550

Designs	Art. No.
Safety grid and seals for mixer drum	467 189
Lid gasket for mixer drum	408 078



For old versions of Mixokret and Brinkmann

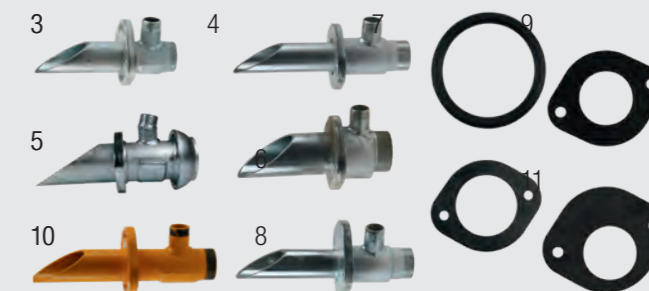
Designs	Fig.	Art. No.
Mixokret	1	418 670
DC 260/45-55	1	H12 1208 0806
DC 260/43	1	H12 1208 0804
Seal for DC 260	2	H42 2210 3200



Outlet mixing chamber

Mixing chamber outlet

Design	Fig.	Art. No.
Outlet Standard, 2.5"	3	493 599
Outlet ID 90 KKV 108	4	210 146.000
Outlet Mixokret, old	5	207 104.000
Rubber seal, 112 × 14	4	002 224.004
Outlet straight, 2.5"	6	H19 1705 0892
Rubber disc centric, 200 × 90 × 5	7	H42 4200 0905
Outlet straight, 3.5"	8	H19 1705 0950
Rubber disc centric, 220 × 180 × 5	9	H42 4200 0907

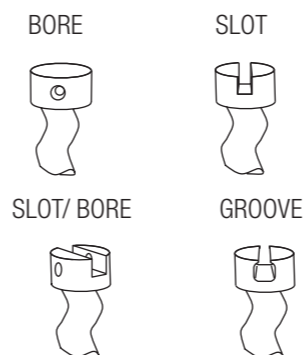
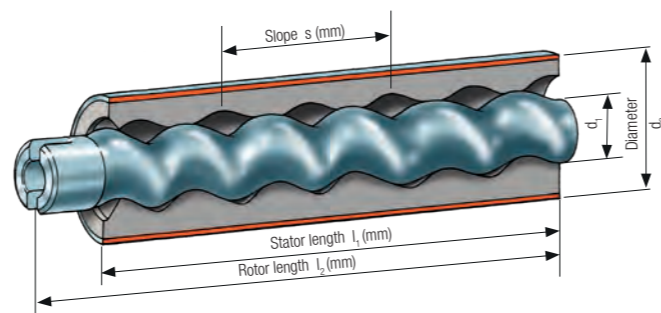


Design	Fig.	Art. No.
Outlet offset, 2.5"	10	H19 1705 0893
Rubber disc eccentric, 220 × 180 × 5	11	H42 4200 0906

Stators and Rotors

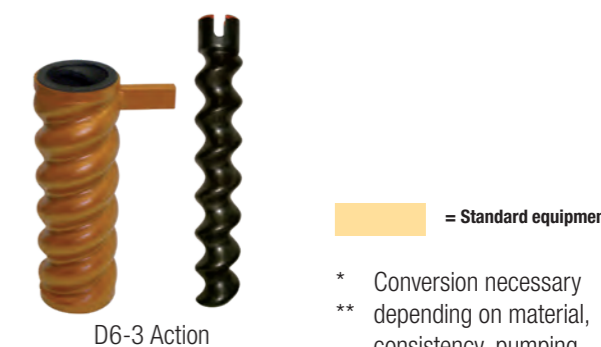
Rule of thumb:

- The finer the grain and the softer the material to be pumped, the harder the required rubber quality of the stator must be.
- The grainier the material and the harder the aggregate, the softer the required rubber quality.



Mixer pump MP 25 Mixit

Type	Delivery quantity (l/min)	l/min at 100 UpM** (75% efficiency)	Colour	Hardness (Shore)	max. Grain (mm)	Pump pressure (bar)	Length/ Ø Stator (mm)	Length Rotor without pin (mm)	Design Rotor head	Stator Art. No.	Rotor Art. No.	Clamping jacket Art. No.	Rotor for Uni-mixer Art. No.
D4 1/4	6	2.5	white	70	3	40	270 / 90	320	Slot	214 573.006	214 572.007	maintenance-free	400 912
D4 1/4	6	2.5	grey	65	3	30	270 / 90	320	Slot	620 489	214 572.007	integrated	400 912
D4 1/2	12	4.5	green	70	3	40	270 / 90	320	Slot	214 403.008	214 402.009	maintenance-free	400 913
D4 1/2	12	4.5	black	65	3	30	270 / 90	320	Slot	620 483	214 402.009	integrated	400 913
D4	20	5.5	red	72	4	20	270 / 90	320	Slot	010 316.001	207 140.006	208 128.001	–
D4	20	5.5	yellow	50	4	20	270 / 90	320	Slot	010 313.004	207 140.006	208 128.001	–
D5 short	40	7.8	brown	72	4	20	270 / 90	320	Slot	071 011.002	071 234.009	208 128.001	400 910
D5 short SL	40	7.8	brown	63	4	20	270 / 90	320	Slot	610 494	071 234.009	integrated	400 910
D6 Twin	25	6.5	white	73	4	40	270 / 90	320	Slot	406 978	443 740	maintenance-free	400 911
D6 Power	25	6.5	red	73	4	40	270 / 90	320	Slot	206 345.006	443 740	maintenance-free	400 911
D6-3	25	6.5	orange	73	4	40	270 / 90	320	Slot	473 639	473 638	maintenance-free	487 115
D6-3 Action	25	6.5	orange	73	4	40	270 / 90	320	Slot	482 672	473 638	maintenance-free	487 115
D7-2	35	9	red	73	4	40	270 / 90	320	Slot	485 478	485 479	maintenance-free	–
D8-2	40	8.8	black	65	4	30	270 / 90	320	Slot	436 746	436 743	maintenance-free	436 744



Worm pump P 12

Type	Delivery quantity (l/min)	l/min at 100 UpM** (75% efficiency)	Colour	Hardness (Shore)	max. Grain (mm)	Pump pressure (bar)	Length/ Ø Stator (mm)	Length Rotor without pin (mm)	Design Rotor head	Stator Art. No.	Rotor Art. No.	Clamping jacket Art. No.
D4 1/4	1,5 + 3	2.5	white	70	3	40	270 / 90	320	Slot	214 573.006	214 572.007	maintenance-free
D4 1/4	1,5 + 3	2.5	grey	65	3	30	270 / 90	320	Slot	620 489	214 572.007	integrated
D4 1/2	2,5 + 5	4.5	green	70	3	40	270 / 90	320	Slot	214 403.008	214 402.009	maintenance-free
D4 1/2	2,5 + 5	4.5	black	65	3	30	270 / 90	320	Slot	620 483	214 402.009	integrated
D4	3,5 + 7,5	5.5	red	72	4	20	270 / 90	320	Slot	010 316.001	207 140.006	208 128.001
D4	3,5 + 7,5	5.5	yellow	50	4	20	270 / 90	320	Slot	010 313.004	207 140.006	208 128.001
D5 short	6 + 12	7.8	brown	72	4	20	270 / 90	320	Slot	071 011.002	071 234 009	208 128.001

Mounting aid for rotor stator

Silicon spray, 400-ml aerosol	Art. No. 508 975
-------------------------------	------------------



= Standard equipment

* Conversion necessary depending on material, consistency, pumping distance and pressure
 **

Stators and Rotors

Additional Worm Pumps

Type	Delivery quantity (l/min)	l/min at 100 UpM** (75% efficiency)	Colour	Hardness (Shore)	max. Grain (mm)	Pump pressure (bar)	Length/ Ø Stator (mm)	Length Rotor without pin (mm)	Design Rotor head	Stator Art. No.	Rotor Art. No.	Clamping jacket Art. No.
2L6	7–40	17	yellow	73	6	40	540 / 100	620	Slot/bore	211 355.007	521 150	010 433.007
D6 Power*	3–18	6.5	red	73	4	40	270 / 90	320	Slot	206 345.006	443 740	maintenance-free
D8-2*	4–23	8.8	black	65	4	30	270 / 90	320	Slot	436 746	436 743	maintenance-free
2L6	7–40	17	yellow	73	6	25	540 / 100	620	Bore	211 355.007	201 111.002	010 433.007
2L6	7–40	17	yellow	63	6	25	540 / 100	620	Bore	430 837	201 111.002	maintenance-free
2L74	150	63	blue	55	8	20	670 / 124	620	Bore	213 018.009	206 395.001	integrated
2L88	8–55	21	brown	72	6	25	540 / 100	620	Bore	203 509.007	422 650	010 433.007
2L88*	8–55	21	brown	72	6	25	540 / 100	620	Slot	203 509.007	211 815.000	010 433.007
2L88	8–55	21	brown	72	6	25	540 / 100	620	Bore	203 509.007	203 511.008	010 433.007
2L54*	8–55	24	grey	55	10	25	535 / 124	620	Slot	523 235	211 739.005	integrated

Worm pump S 5 (with inserted cardan shaft)

Type	Delivery quantity (l/min)	l/min at 100 UpM** (75% efficiency)	Colour	Hardness (Shore)	max. Grain (mm)	Pump pressure (bar)	Length/ Ø Stator (mm)	Length Rotor without pin (mm)	Design Rotor head	Stator Art. No.	Rotor Art. No.	Clamping jacket Art. No.
D6 Power*	3–18	6.5	red	73	4	40	270 / 90	320	Slot	206 345.006	443 740	maintenance-free
D8-2*	4–23	8.8	black	65	4	30	270 / 90	320	Slot	436 746	436 743	maintenance-free
2L54	8–55	24	grey	55	10	25	535 / 124	620	Slot	523 235	211 739.005	integrated
2L6	4–40	17	yellow	50	6	25	540 / 100	620	Slot 16	211 355.007	211 814.001	010 433.007
2L6	4–40	17	yellow	50	6	25	540 / 100	620	Slot 16	213 390.002	211 814.001	integrated
2L6	4–40	17	yellow	63	6	25	540 / 100	620	Slot 16	430 837	211 814.001	maintenance-free
2L88	6–55	21	brown	50	6	20	540 / 100	620	Slot 16	203 509.007	211 815.000	010 433.007
1,5L74	170	63	green	55	8	15	517 / 124	596	Slot 16	213 027.003	213 028.002	integrated
2L6	7–40	17	yellow	73	6	40	540 / 100	620	Slot/bore	211 355.007	521 150	010 433.007

Worm pump SP 11 LMR, BMB, BMT, BMR, BBR, BUR

Type	Delivery quantity (l/min)	l/min at 100 UpM** (75% efficiency)	Colour	Hardness (Shore)	max. Grain (mm)	Pump pressure (bar)	Length/ Ø Stator (mm)	Length Rotor without pin (mm)	Design Rotor head	Stator Art. No.	Rotor Art. No.	Clamping jacket Art. No.
2L6	4–40	17	yellow	50	6	25	540 / 100	620	Slot 16	211 355.007	211 814.001	010 433.007
2L6	4–40	17	yellow	50	6	25	540 / 100	620	Slot 16	213 390.002	211 814.001	integrated
2L6	4–40	17	yellow	63	6	25-30	540 / 100	620	Slot 16	430 837	211 814.001	maintenance-free
2L88	6–55	21	brown	50	6	20	540 / 100	620	Slot 16	203 509.007	211 815.000	010 433.007
1,5L74	170	63	green	55	8	15	517 / 124	596	Slot 16	213 027.003	213 028.002	integrated
2L6	7–40	17	yellow	50	6	25	540 / 100	620	Slot/bore	211 355.007	521 150	010 433.007



D6 Power



D4 yellow



D4 red



D8-2



2L88



2L6



Clamping jacket



2L6 maintenance-free

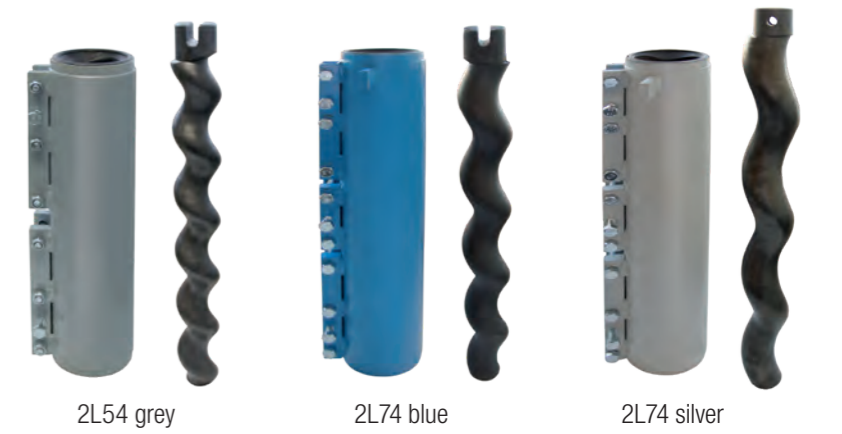
= Standard equipment

* Conversion necessary depending on material, consistency, pumping distance and pressure
 **

Stators and Rotors

Additional Worm Pumps

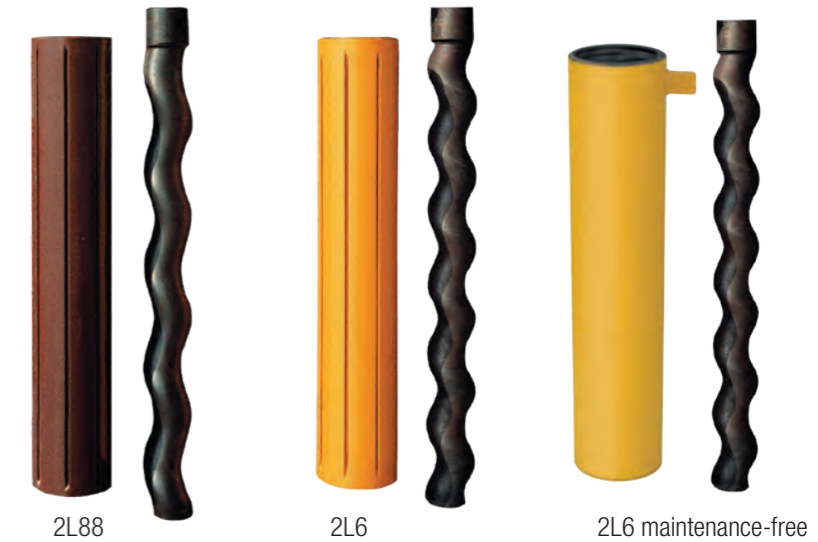
Type	Usage in machine	l/min at 100 UpM** (75% efficiency)	Colour	Hardness (Shore)	max. Grain (mm)	Pump pressure (bar)	Length/ Ø Stator (mm)	Length Rotor without pin (mm)	Design Rotor head	Stator Art. No.	Rotor Art. No.	Clamping jacket Art. No.
1L6	SP 5	14.8	yellow	50	6	15	270 / 100	350	Slot S16	214 536.001	214 537.000	422 747
2L4	P4	5.3	yellow	50	4	20	360 / 75	407	Slot	010 325.005	010 321.009	010 329.001
2L4	P4	5.3	red	72	4	25	360 / 75	407	Slot	010 326.004	010 321.009	010 329.001
2L4	P4	5.3	green	72	4	25	360 / 75	407	Slot	010 677.009	010 321.009	010 329.001
D3	TS3	10	red	72	4	25	315 / 70	379	Slot	072 996.003	072 997.002	073 487.003
D3	TS3	10	green	72	4	25	315 / 70	379	Slot	201 175.006	072 997.002	073 487.003
D5*	MS-x, S 5	12	brown	65	4	20	350 / 90	400	Slot	070 352.005	070 351.006	206 848.008
3L7	SP 11 BUR	17	yellow	50	6	40	534 / 100	620	Slot 16	213 638.007	211 278.003	maintenance-free
3L7	SP 11 BUR	17	yellow	75	6	40	534 / 100	620	Slot 16	211 503.008	211 278.003	maintenance-free
3D7	UMP	17	red	71	6	40	534 / 100	620	Slot 16	208 276.005	208 263.005	maintenance-free
2L6	FMP	17	yellow	50	6	25	540 / 100	620	Slot 12	211 355.007	010 628.003	010 433.007
2L88	FUMP 70	21	brown	50	6	25	540 / 100	620	Slot 14	203 509.007	208 316.004	010 433.007
2L88	UMP	21	brown	50	6	25	540 / 100	620	Bore	203 509.007	422 650	010 433.007
2L74	P11 SDVF	63	blue	55	8	25	670 / 124	620	Bore	206 396.000	206 395.001	maintenance-free
2D8	FUMP, SP 11 E	45.9	red	72	4	25	600 / 145	570	Slot	208 537.003	208 467.005	maintenance-free
1,5L8	S8	123	yellow	50	10	15	660 / 190	747	Bore	070 162.004	200 770.004	073 827.003
N13 S	MP 10 / 12 / 15	3.8	grey	73	4	30	160 / 60	206	Slot	506 905	506 867	–
N13 S ½	MP 15	1.9	yellow	73	3	30	160 / 60	206	Slot	602 970	602 971	–



2L54 grey

2L74 blue

2L74 silver



2L88

2L6

2L6 maintenance-free



Clamping jacket

3L7

2L8

Self levelling floor screed pumps SP 11 THF

Type	Delivery quantity (l/min)	l/min at 100 UpM** (75% efficiency)	Colour	Hardness (Shore)	max. Grain (mm)	Pump pressure (bar)	Length/ Ø Stator (mm)	Length Rotor without pin (mm)	Design Rotor head	Stator Art. No.	Rotor Art. No.	Clamping jacket Art. No.
2L54*	0–105	24	grey	55	10	25	535 / 124	620	Slot 16	523 235	211 739.005	integrated
2L54*	0–105	24	silver	72	8	25	535 / 124	620	Slot 16	211 738.006	211 739.005	integrated
2L74	0–200	45.8	blue	55	8	25	670 / 124	746	Bore	206 396.000	206 395.001	maintenance-free
2L74*	0–200	45.8	blue	72	8	25	670 / 124	746	Slot 16	213 018.009	212 506.004	integrated
2L75	0–200	75	grey	55	8	20	670 / 124	746	Bore	487 262	487 261	integrated
2L75*	0–200	75	grey	55	8	20	670 / 124	746	Slot 16	502 911	500 516	maintenance-free

Self levelling floor screed pumps SP 20 also for EstrichBoy FHS

Type	l/min at 100 UpM** (75% efficiency)	Colour	Hardness (Shore)	max. Grain (mm)	Pump pressure (bar)	Length/ Ø Stator (mm)	Length Rotor without pin (mm)	Design Rotor head	Stator Art. No.	Rotor Art. No.	Clamping jacket Art. No.
7515	83	white	63	8	35	550 / 159	623	hexagonal	525 052	433 023	maintenance-free
7515 SL	83	white	63	8	35	550 / 159	623	hexagonal	H70 0075 1403	433 023	integrated
2L8	150	white	63	10	25	650 / 194	740	hexagonal	H70 0050 8312	H70 0050 8021	maintenance-free
2L8 SL	150	white	63	10	25	650 / 194	740	hexagonal	H70 0050 8311	H70 0050 8021	integrated



N13 S

 = Standard equipment

* Conversion necessary depending on material, consistency, pumping distance and pressure
 **

2. Delivery Line Systems



Comparison of a conventional hose with a hose from Putzmeister based on the example of ID 50 × 9

Technical data	conventional hose	Putzmeister hose
Inside diameter	50 mm	50 mm
Wall thickness	8 mm	9 mm
Outside diameter	66 mm	68 mm
Operating pressure	40 bar	40 bar
Safety factor	2	2.5
Number of linings	2–4	5



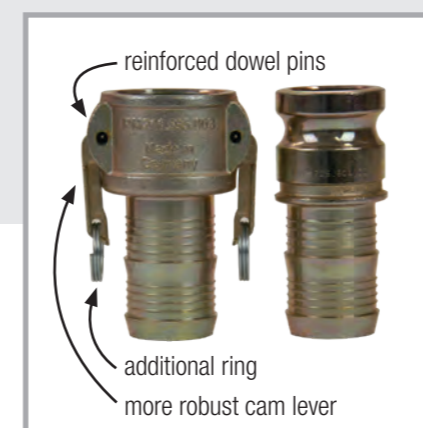
A hose from Putzmeister has 4 fabric linings and one copper strand. The wall thickness is 9 mm.

... with high grade couplings

Features of couplings:

The hoses are assembled with TÜV-certified Kamlok couplings

- Robust male and female parts ensure long service life
- Reinforced spiral dowel pins and cam levers made of malleable cast iron ensure additional reliability and service life
- Through decoupling the couplings, 100 percent accuracy of fit is guaranteed (additional production step)
- A larger inside diameter of the nozzles reduces the risk of blockages



Kamlok coupling



Kamlok coupling – cross-section

Hoses from Putzmeister comply with the highest safety and quality standards

- Very long service life thanks to use of abrasion-resistant rubber qualities
- Excellent buckling resistance
- High pressure resistance thanks to additional linings
- High level of safety thanks to antistatic hose construction



Delivery lines

Mortar hoses	20
Delivery hoses	24
Concrete hoses	26
Delivery pipes	28
Pipe clamps	30
Hose caddy	30
Manual gate valve	30
Pumping aids, PM slick-pak	30

Couplings and spare parts

Cardan couplings for mortar and delivery hoses	31
PM couplings for mortar and delivery hoses	32
SK couplings for concrete hoses and delivery pipes	34
GEKA quick-release couplers	34
Seals	35
Cam levers	35
Hose clips	36
Hose connectors	37

Cleaning

Sponge rubber balls	37
Cleaning accessories	37

Mortar hoses ID 25 to 40 bar operating pressure

Technical data

Inside diameter	25 mm
Wall thickness	7 mm
Outside diameter	39 mm
Operating pressure	40 bar
Safety factor	2.5
Number of linings	4



Mortar hoses with couplings

Mortar hose 25 × 7, 40 bar

Male part (V) 25–40; female part (M) 25–40 with nozzle (S) 25

Length	Colour	Art. No.
5 m	black	207 803.000
10 m	black	207 804.009
10 m with 2 cam levers	black	660 847
15 m	black	211 966.001
20 m	black	207 806.007
20 m	white	531 341

Individual items for retrofitting

	Fig.	Art. No.
PM coupling M part D 25–40 with nozzle 25	1	211 593.005
M part ID 25 with 2 cam levers		635 323
Seal for M part ID 25	in 1	207 764.000
PM coupling V part D 25–40 with nozzle 25	2	208 828.000
PM coupling V part D 35 with nozzle 25	2	214 800.009
Cam lever complete	3	211 535.005
Hose clip (4×) for repair	4	002 337.001

Mortar hose 25 × 7, 40 bar

Male part (V) 35; Male part (V) 25–40 with nozzle (S) 25

Length	Colour	Art. No.
5 m	black	207 808.005
10 m	black	207 809.004



Mortar hose without couplings

Mortar hose 25 × 7, 40 bar, without couplings

Length	Colour	Art. No.
40 m, on roll	black	550 283
40 m, on roll	white	531 324

Mortar hoses ID 35 to 40 bar operating pressure

Technical data

Inside diameter	35 mm
Wall thickness	8 mm
Outside diameter	51 mm
Operating pressure	40 bar
Safety factor	2.5
Number of linings	4



Mortar hoses with couplings

Mortar hose 35 × 8, 40 bar

Male part (V) 35; female part (M) 35 with nozzle (S) 35

Length	Colour	Art. No.
2 m	black	070 335.006
13.3 m	black	207 615.007
13.3 m	white	531 340
20 m	black	209 950.003

Mortar hose 35 × 8, 40 bar

Male part (V) 50; female part (M) 35 with nozzle (S) 35

Length	Colour	Art. No.
13.3 m	black	207 616.006

Individual items for retrofitting

	Fig.	Art. No.
PM coupling M part D 35 with nozzle 35	1	211 594.004
Seal for M part ID 35	in 1	213 725.004
PM coupling V part D 35 with nozzle 35	2	206 606.004
PM coupling V part D 50 with nozzle 35	2	207 621.004
Cam lever complete (2×)	3	211 535.005
Hose clip (4×) for repair	4	002 331.007



Mortar hose without couplings

Mortar hose 35 × 8, 40 bar, without couplings

Length	Colour	Art. No.
40 m, on roll	black	550 284
40 m, on roll	white	531 326

Mortar hoses ID 40 to 40 bar operating pressure

Technical data

Inside diameter	40 mm
Wall thickness	7.5 mm
Outside diameter	55 mm
Operating pressure	40 bar
Safety factor	2.5
Number of linings	4



Mortar hoses with couplings

Mortar hose 40 x 7.5, 40 bar

Male part (V) 50; female part (M) 50 with nozzle (S) 40

Length	Colour	Art. No.
20 m	black	H85 232.065
40 m	black	H85 232.075

Pouring hose 40 x 7.5, 40 bar

Female part (M) 50 with nozzle (S) 40

Length	Colour	Art. No.
5 m	black	645 082
20 m	black	592 814

Individual items for retrofitting

	Fig.	Art. No.
PM coupling M part D 50 with nozzle 40	1	H70 5040 0000
Seal for M part ID 50	in 1	213 266.000
PM coupling V part D 50 with nozzle 40	2	H70 5140 0000
Cam lever complete (2x)	3	211 535.005
Hose clip (4x) for repair	4	001 046.005
Alternative: Hose clip (4x) for repair	4	H36 0213 4860



Mortar hose without couplings

Mortar hose 50 x 7.5, 40 bar, without couplings

Length	Colour	Art. No.
40 m	black	H42 0401 0010

Mortar hoses ID 50 to 40 bar operating pressure

Technical data

Inside diameter	50 mm
Wall thickness	9 mm
Outside diameter	68 mm
Operating pressure	40 bar
Safety factor	2.5
Number of linings	6



Mortar hoses with couplings

Mortar hose 50 x 9, 40 bar

Male part (V) 50; female part (M) 50 with nozzle (S) 50

Length	Colour	Art. No.
5 m	black	520 422
13.3 m	black	501 914
13.3 m	white	531 330
20 m	black	501 915
20 m	white	531 331
40 m	black	581 526

Individual items for retrofitting

	Fig.	Art. No.
PM coupling M part D 50 with nozzle 50	1	211 595.003
Seal for M part ID 50	in 1	213 266.000
PM coupling V part D 50 with nozzle 50	2	206 604.006
Cam lever complete (2x)	3	211 535.005
Hose clip (4x) for repair	4	001 046.005
Alternative: Hose clip (4x) for repair	4	H36 0213 6076



Mortar hose without couplings

Mortar hose 50 x 9, 40 bar, without couplings

Length	Colour	Art. No.
40 m	black	501 913
40 m	white	531 327

Delivery hoses ID 65 to 10 bar operating pressure

Technical data

Inside diameter	65 mm
Wall thickness	10 mm
Outside diameter	85 mm
Operating pressure	10 bar
Safety factor	2.5
Number of linings	4



Delivery hoses with couplings

Delivery hose 65 × 10, 10 bar
Male part (KKV) 70; female part (KKM) 70 with nozzle (S) 65

Length	Colour	Art. No.
10 m	black	456 831
10 m	white	531 329
20 m	black	456 832



Individual items for retrofitting	Fig.	Art. No.
Cardan coupling KKM 70 m. S 65	1	211 351.001
Seal for KKM 70	in 1	010 207.000
Cardan coupling KKV 70 m. S 65	2	211 352.000
Hose clip (4 ×) for repair	3	015 288.008

Delivery hoses with couplings externally pressed

Delivery hose 65 × 10, 10 bar
Male part (KKV) 89; female part (KKM) 89 externally pressed

Length	Colour	Art. No.
10 m	black	443 675
20 m	black	443 672



Individual items for retrofitting	Fig.	Art. No.
Cardan coupling KKV 89 screwed	4	213 734.008
Cardan coupling KKM 89 screwed	5	213 735.007
Seal for KKM 89	in 5	002 224.004
Screw 4 × per coupling	4+5	043 198.005
Hexagonal nut 4 × per coupling	4+5	034 105.007
Washer 4 × per coupling	4+5	037 107.002

Delivery hose without couplings

Delivery hose 65 × 10, 10 bar, without couplings

Length	Colour	Art. No.
20 m	black	490 646
40 m	black	001 685.000
40 m	white	531 328

Delivery hose 60 × 9, 10 bar, without couplings

Length	Colour	Art. No.
40 m	black	571 242

Delivery hoses ID 90 to 10 bar operating pressure

Technical data

Inside diameter	90 mm
Wall thickness	11.5 mm
Outside diameter	113 mm
Operating pressure	10 bar
Safety factor	2.5
Number of linings	4



Delivery hose with couplings

Delivery hose 90 × 11,5
Male part (KKV) 89; female part (KKM) 89 with nozzle (S) 90

Length	Colour	Art. No.
10 m	black	455 436



Individual items for retrofitting	Fig.	Art. No.
Cardan coupling KKM 89 m. S 90	1	455 316
Seal for KKM 89	in 1	210 580.006
Cardan coupling KKV 89 m. S 90	2	455 303
Hose clip (4 ×) for repair	3	016 337.000

Delivery hose 90 × 11,5, 10 bar
Male part (KKV) 108; female part (KKM) 108 with nozzle (S) 90

Length	Colour	Art. No.
10 m	black	454 406



Individual items for retrofitting	Fig.	Art. No.
Cardan coupling KKM 108 m. S 90	1	453 504
Seal for KKM 108	in 1	210 580.006
Cardan coupling KKV 108 m. S 90	2	453 503
Hose clip (4 ×) for repair	3	016 337.000

Delivery hose without couplings

Delivery hose section 90 × 11,5, without couplings

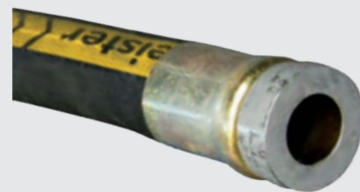
Length	Colour	Art. No.
10 m	black	454 408

Concrete hoses

Delivery hoses SK 50, 3" with couplings

Technical data

Inside diameter	50 mm
Wall thickness	16 mm
Operating pressure	85 bar
Safety factor	2
Number of linings	4

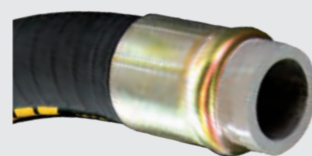


Length	Art. No.	End hose	Art. No.	compatible with SK 50	Art. No.
2 m	481 169	6 m	292 067.000	Lever coupler SK-H, 3"	417 798
4 m	481 170			Seal ring DN 65, 3"	064 084.004
5 m	481 171			Safety split pin	018 878.004
10 m	481 172				
20 m	481 173	Other lengths on request.			

Delivery hoses SK 65, 3" with couplings

Technical data

Inside diameter	65 mm
Wall thickness	16 mm
Operating pressure	85 bar
Safety factor	2
Number of linings	4



Length	Art. No.	End hose	Art. No.	compatible with SK 65	Art. No.
3 m	267 542.000	4 m	267 544.008	Lever coupler SK-H, 3"	417 798
4.5 m	253 306.001			Seal ring DN 65, 3"	064 084.004
5 m	535 521			Safety split pin	018 878.004
10 m	059 170.004				
20 m	082 238.007	Other lengths on request.			

Delivery hoses SK 75, 3" with couplings

Technical data

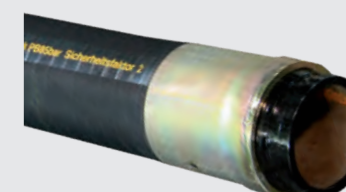
Inside diameter	75 mm
Wall thickness	16 mm
Operating pressure	85 bar
Safety factor	2
Number of linings	4

Length	Art. No.	compatible with SK 75	Art. No.
3 m	519 067	Lever coupler SK-H, 3"	417 798
4 m	521 582	Seal ring DN 65, 3"	064 084.004
5 m	289 261.000	Safety split pin	018 878.004
10 m	536 109		

Delivery hoses SK 100, 4.5" with couplings

Technical data

Inside diameter	100 mm
Wall thickness	14 mm
Operating pressure	85 bar
Safety factor	2
Number of linings	4

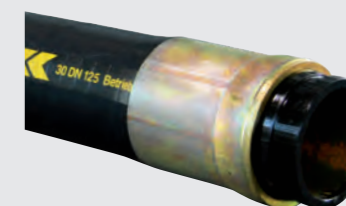


Length	Art. No.	End hose	Art. No.	compatible with SK 100	Art. No.
3 m	253 319.001	3 m	233 647.007	Lever coupler SK-H, 4.5"	431 613
4 m	083 389.007			Seal ring DN 100, 4.5"	057 341.000
5 m	057 609.001			Safety split pin	018 878.004
6 m	027 623.004	Other lengths on request.			

Delivery hoses SK 125, 5.5" with couplings

Technical data

Inside diameter	125 mm
Wall thickness	16 mm
Operating pressure	85 bar
Safety factor	2
Number of linings	4



Length	Art. No.	End hose	Art. No.	compatible with SK 125	Art. No.
2 m	027 643.000	3 m	233 649.005	Lever coupler SK-H, 5.5"	417 249
3 m	433 497			Seal ring DN 125, 5.5"	055 559.001
4 m	089 983.009			Safety split pin	018 878.004
5 m	057 612.001	Other lengths on request.			

Delivery pipes

Delivery pipes

SK 50, 3" (Fig. 1)

Length	Art. No.
1 m	081 783.003
2 m	081 784.002
3 m	081 785.001

SK 65, 3" (Fig. 2)

Length	Art. No.
1 m	057 727.006
2 m	057 728.005
3 m	057 729.004

SK 100, 4.5" (Fig. 3)

Length	Art. No.
1 m	056 861.002
2 m	056 862.001
3 m	056 863.000
6 m	057 601.009

SK 125, 5.5" (Fig. 4)

Length	Art. No.
1 m	056 849.008
2 m	056 850.000
3 m	056 851.009
4 m	087 668.009
6 m	057 602.008



Delivery pipe elbow

SK 50, 3" (Fig. 1)

Elbow	Art. No.
45°	081 779.004
90°	081 777.006

SK 100, 4.5" (Fig. 2)

Elbow	Art. No.
15°	057 595.005
30°	057 594.006
45°	057 593.007
90°	421 329

SK 65, 3" (Fig. 3)

Elbow	Art. No.
45°	057 758.004
90°	057 756.006

SK 125, 5.5" (without Fig.)

Elbow	Art. No.
15°	057 598.002
30°	258 935.008
45°	057 596.004
90°	261 402.007



Reducers, adapters

Reducer pipe

from	-to	Fig.	Art. No.
SK 65, 3"	-SK 50, 3", 1 m	1	058 670.000
SK 100, 4.5"	-SK 50, 3", 1.5 m		238 508.002
SK 100, 4.5"	-SK 65, 3", 0.5 m		050 963.003
SK 100, 4.5"	-SK 65, 3", 1 m	2	224 269.009
SK 100, 4.5"	-SK 65, 3", 2 m	2	249 437.007
SK 100, 4.5"	-PXM 65, 3", 1 m		256 246.003
SK 100, 4.5"	-SK 75, 3", 0.5 m		418 145
SK 100, 4.5"	-PXM 75, 3", 1 m		263 389.005
SK 125, 5.5"	-SK 100, 4.5", 0.5 m	3	057 603.007
SK 125, 5.5"	-SK 100, 4.5", 1 m	3	057 604.006
SK 125, 5.5"	-SK 100, 4.5", 1.5 m		080 617.002

Adapter

from	-to	Art. No.
SK 50 3"	-2" RI	027 716.005
SK 50 3"	-2" RA	082 784.001
SK 65 3"	-2" RA	291 003.007
SK 125 5.5"	-SK 100 4.5", 100 mm	083 460.007
SK 3"	-2 1/2" RA	H1803604100



RI = Inside thread
RA = Outside thread

T-delivery pipe, pressure gauge, cleaning cover

T-delivery pipe

	Art. No.
SK 100 4.5", 1 m	057 614.009
SK 125 5.5", 1 m	057 615.008
SK 125 5.5", 0.5 m	244 442.000

Pressure gauge

	Art. No.
100 bar, SK 100 4.5"	521 430
100 bar, SK 125 5.5"	521 448

Cleaning cover

	Art. No.
for T-delivery pipe 4.5"	057 627.009
for T-delivery pipe 5.5"	057 628.008



Pipe clamps

for wall and floor

	Art. No.
ID 100	052 930.005
ID 125	051 038.005



Hose caddy

PM Hose caddy

	Art. No.
PM Hose caddy	482 464



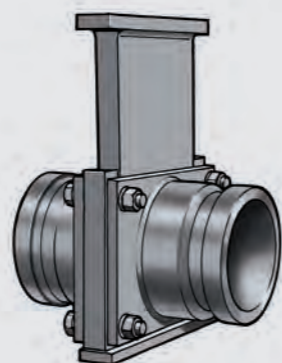
Manual gate valve

Manual gate valve GVM

GVM manual gate valves are simple gate valves. They are manually opened and closed, i.e. with a hammer. They are available for low pressure requirements of up to 20 bar as well as for high pressure requirements of up to 130 bar.

Manual gate valve GVM 2/2

	Art. No.
130 bar, SK 100, 4.5"	222 362.005
130 bar, SK 125, 5.5"	413 087



Pumping aids

Pumping aids

	Art. No.
PM slick-pak, 18-l storage bucket, 25 pcs	266 743.004
PM slick-pak, 227-g pack	265 389.003

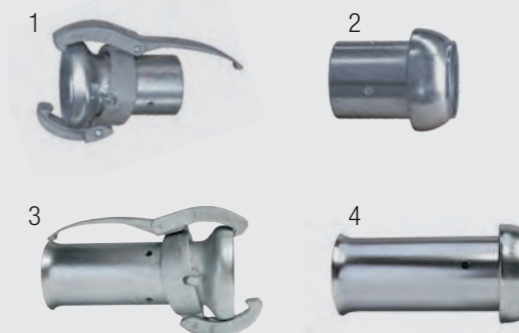


Cardan couplings KK for hoses ID 50–90 mm

M = Female part
S = Nozzle
RI = Inside thread
V = Male part
HR = externally integrated
for screwing together
RA = Outside thread

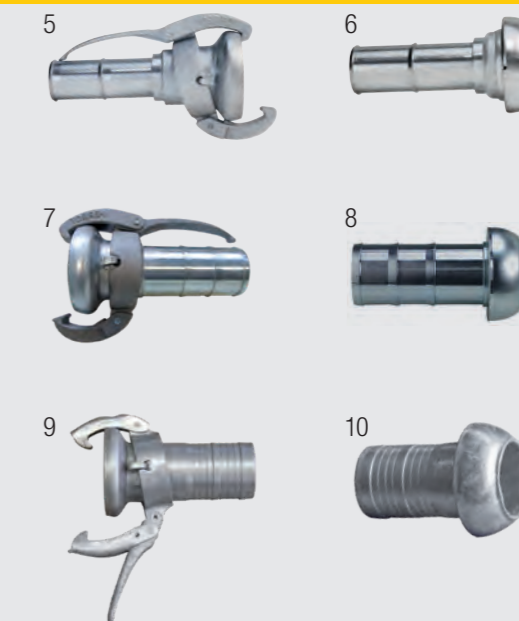
HR Cardan couplings

	Fig. or similar	Art. No.
KKM 70 HR 50	1	213 736.006
KKV 70 HR 50	2	213 737.005
KKM 70 HR 53	3	H71 7181 0000
KKV 70 HR 53	4	H71 7182 0000
KKM 89 HR 65	1	213 735.007
KKV 89 HR 65	2	213 734.008



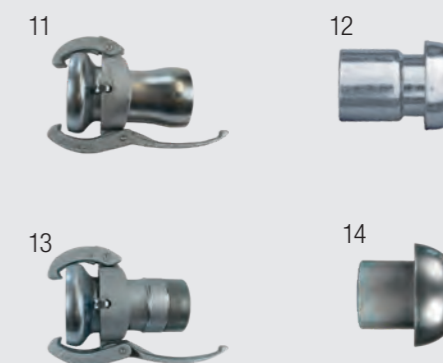
Cardan couplings with nozzle

	Fig. or similar	Art. No.
KKM 70 S 50	5	H71 7250 0000
KKV 70 S 50	6	H71 7150 0000
KKM 70 S 60	5	H71 7260 0000
KKV 70 S 60	6	H71 7160 0000
KKM 70 S 65	7	211 351.001
KKV 70 S 65	8	211 352.000
KKM 89 S 65	7	455 904
KKV 89 S 65	8	455 902
KKM 89 S 90	9	065 109.001
KKV 89 S 90	10	065 108.002
KKM 108 S 90	9	453 504
KKV 108 S 90	10	453 503



Cardan couplings with thread

	Fig. or similar	Art. No.
KKM 70 RI 2½"	11	015 664.004
KKV 70 RI 2½"	12	015 197.005
KKM 89 RI 2½"	11	014 895.007
KKV 89 RI 2½"	14	209 205.004
KKM 89 RI 3"	11	209 325.007
KKV 89 RI 3"	12	073 443.005
KKM 70 RA 2½" with stop	13	H71 7270 2215
KKM 70 RA 2½"	13	H71 7270 2212
KKV 89 RI 3½"	11	H71 9089 2220
KKM 89 RA 2" with stop	13	214 736.005



Cardan couplings KK for hoses ID 50–90 mm (continuation)

Reducer couplings KK70 – V50

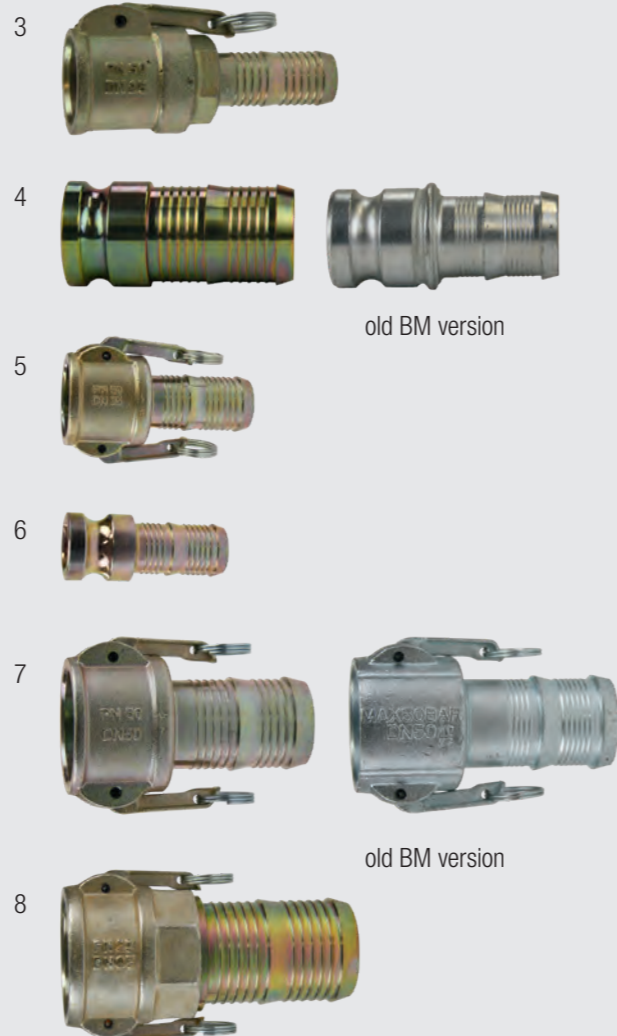
	Fig. or similar	Art. No.
KKM 70 on V 50, inside diameter 2"	1	071 790.006
KKM 70 on V 50 short, inside diameter 2.5"	2	H85 4182 00
KKM 89 on V 50 inside diameter 2"	2	435 177
KKM 108 on KKV 89		214 735.006



Putzmeister PM couplings for hoses ID 25–65 mm

PM couplings with nozzle

	Fig. or similar	Art. No.
M 25–40 with S 25	3	211 593.005
M 25–40 with S 25, 2 cam levers	5	635 323
V 25–40 with S 25	4	208 828.000
M 25 with S 25	3	211 592.006
V 25 with S 25	4	206 608.002
M 35 with S 35	5	211 594.004
V 35 with S 35	6	206 606.004
V 35 with S 25	4	214 800.009
M 50 with S 40	5	H70 5040 0000
V 50 with S 40	4	H70 5140 0000
V 50 with S 35	4	207 621.004
M 50 with S 50	7	211 595.003
V 50 with S 50	4	206 604.006
M 50 with S 50 old BM version	7	H70 5050 0000
V 50 with S 50 old BM version	4	H70 5150 0000
M 65 with S 65	8	402 274
V 65 with S 65	4	402 289



Putzmeister PM couplings for hoses ID 25–65 mm

M = Female part
S = Nozzle
RI = Inside thread
V = Male part
HR = externally integrated
for screwing together
RA = Outside thread

Hose/screw-in nozzles

	Fig. or similar	Art. No.
S 20 mm RA 1"	1	211 536.004
S 25 mm RA 1"	1	205 464.001
S 35 mm RA 1½"	1	205 465.000
S 50 mm RA 2"	1	205 466.009



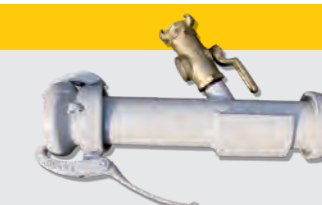
PM couplings with thread

	Fig. or similar	Art. No.
M 25–40 with RI 1"	2	211 597.001
M 25–40 with RI 1", 2 cam levers	4	637 010
M 25–40 with RI 1" aluminium rotatable	3	403 330
M 25 with RI 1"	2	211 596.002
V 25–40 with RI 1"	5	207 763.001
V 25–40 with RI 1½"	5	207 813.003
V 25 with RI 1"	5	205 117.002
M 35 with RI 1"	4	211 598.000
M 35 with RI 1 ¼"	4	H70 3535 1111
M 35 with RI 1½"	4	211 599.009
M 35 with RA 1½"	4	070 315.000
V 35 with RI 1"	5	207 618.004
V 35 with RI 1" plastic	7	203 135.002
V 35 with RI 1½"	5	070 316.009
V 35 with RI 2"	5	208 453.006
V 35 with RI 1¼"	5	207 635.003
M 50 with RI 2"	4	211 600.008
M 50 with RA 2"	8	211 848.006
M 50 with RA 2½"	6	H70 5050 2212
V 50 with RI 1"	5	207 629.006
V 50 with RI 2"	5	205 273.001
V 50 with RI 2 ½"	5	210 793.000
M 65 with RI 2 ½"	4	402 288
V 65 with RI 2 ½"	9	402 290



Injection branch

	Art. No.
ID 50	015 468.006
ID 65	015 162.001



Putzmeister PM couplings for hoses ID 25–65 mm (continuation)

Reducers/adaptor couplings

	Fig. or similar	Art. No.		Fig. or similar	Art. No.
M 25–40 for V 25	1	208 838.003	M 35 for GEKA	7	070 692.008
V 35 for V 25–40	2	207 795.008	M 50 for GEKA	7	070 266.007
V 35 for V 25	2	209 008.007	1" AG for 1/2" AG	8	040 347.008
V 50 for M 35	3	213 217.004	2" AG for 2" AG	8	041 644.001
M 50 for V 35	4	211 290.007	2" AG for 1" IG		021 355.006
V 50 for end coupling	5	208 454.005	2 1/2" AG for 2" AG	8	043 160.004
V 25-40 for GEKA	6	207 936.003			



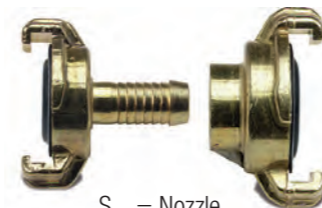
Sleeve couplings

Sleeve couplings

	Art. No.	Safety split pin	Art. No.
SK 3"	417 798	Safety split pin	018 878.004
SK 4,5"	431 613		
SK 5,5"	417 249		



GEKA quick-release couplers for water hoses and air hoses



S = Nozzle
RA = Outside thread
RI = Inside thread

with nozzle (S)

	Art. No.
S 3/8"	018 535.004
S 1/2"	002 312.000
S 3/4"	001 387.007
S 1"	001 390.007

with outside thread (RA)

	Art. No.
RA 3/8"	041 403.006
RA 1/2"	014 068.009
RA 3/4"	001 386.008
RA 1"	062 815.000
RA 1 1/4"	062 861.009

with inside thread (RI)

	Art. No.
RI 3/8"	424 458
RI 1/2"	062 621.003
RI 3/4"	002 311.001
RI 1"	001 391.006
RI 1 1/4"	062 622.002

Seals

for GEKA couplings

	Art. No.
GEKA plus	413 895
GEKA	002 313.009

for PM couplings

		Art. No.
M 25–40	42 × 27 × 6	207 764.000
M 35	54 × 37 × 6	213 725.004
M 50	67 × 51 × 6	213 266.000

for cardan couplings KKM

		Art. No.
KKM 70	90 × 11	010 207.000
KKM 89	112 × 14	002 224.004
KKM 108	124 × 18	210 580.006



for sleeve couplings SK

		Art. No.
SK 3"	DN 50; 65	064 084.004
SK 4.5"	DN 100	057 341.000
SK 5.5"	DN 125	055 559.001

Cam levers

Cam levers

	Fig. or similar	Art. No.
Cam lever reinforced incl. securing ring	1	211 535.005
Securing ring	1a	001 698.000

Dowel pin sets with reinforcement

for M 25 and 35 (10×)	2	441 055
for M 50 (10×)	2	441 056

Dowel pins singly

Spiral dowel pins for M 25 and 35	2	211 613.008
Spiral dowel pins for M 25–40	2	211 609.009
Spiral dowel pins for M 50	2	211 610.001



Hose clips

Hose clips

Clamping range Ø	Width	Art. No.
6–16 mm	8.1 mm	002 333.005
8–12 mm	7.5 mm	H36 0129 0812
11–13 mm	7.0 mm	200 651.000
16–25 mm	9.0 mm	001 423.000
16–25 mm	12.0 mm	H36 0132 1625
16–25 mm	14.3 mm	060 502.001
20–32 mm	12.0 mm	001 422.001
25–40 mm	14.3 mm	061 409.006
32–50 mm	14.3 mm	002 332.006
40–60 mm	14.3 mm	002 334.004
44–56 mm	12.2 mm	001 421.002
50–70 mm	14.3 mm	001 057.007
60–80 mm	12.0 mm	H36 0112 6080
68–85 mm	12.2 mm	062 623.001
70–90 mm	14.3 mm	061 643.008
90–110 mm	14.3 mm	060 441.007
110–130 mm	14.3 mm	061 644.007



for hoses	Ø	Width	Art. No.
ID 25	37 mm	20 mm	002 337.001
ID 25	45 mm	16 mm	001 745.005
ID 35	50 mm	25 mm	002 331.007
ID 35+40	57 mm	16 mm	001 746.004
ID 50	68 mm	25 mm	001 046.005
ID 50	66 mm	20 mm	H85 6781 00
ID 50	76 mm	19 mm	001 747.003
ID 60	76 mm	20 mm	H85 6820 50
ID 65	82 mm	20 mm	H85 6860 50
ID 65	89 mm	19 mm	402 292
Suction hose	100 mm	20 mm	002 247.007

Clamping range Ø	Width	Art. No.
34–37 mm	20 mm	415 251
37–40 mm	20 mm	466 380
40–43 mm	20 mm	466 381
56–59 mm	20 mm	492 359



Clamping range Ø	Width	Art. No.
28–35 mm	18 mm	H36 0213 2835
32–40 mm	18 mm	H36 0213 3240
39–49 mm	20 mm	H36 0213 3949
48–60 mm	24 mm	H36 0213 4860
60–67 mm	25 mm	H36 0213 6076
77–94 mm	30 mm	H36 0213 7794
94–115 mm	35 mm	H36 0213 9411



2-piece

for hoses	Ø	Width	Art. No.
ID 65	84 mm	25 mm	015 288.008
ID 90	110 mm	20 mm	016 337.000



Binding tool

	Art. No.
Bandimex tool W001	643 112
Bandimex HD adapter V050	643 114



Hose clips for binding tool

for hoses	Ø	Width	Art. No.
ID 25	45 mm	16 mm	001 745.005
ID 35+40	57 mm	16 mm	001 746.004
ID 50	76 mm	19 mm	001 747.003
ID 65	89 mm	19 mm	402 292

Cleaning accessories

Sponge rubber balls for cleaning the delivery hoses

for delivery line	Ø	Design	Art. No.
ID 18	20 mm	hard	429 483
ID 20	25 mm	medium	429 485
ID 25	30 mm	hard	000 239.004
ID 30	35 mm	hard	H42 6003 5000
ID 35	45 mm	medium	065 044.001
ID 40	50 mm	hard	H42 6005 0000
ID 50, SK 50	60 mm	medium	000 212.005
ID 50, SK 50	60 mm	hard	233 494.001
ID 60	70 mm	medium	258 320.008
ID 65	80 mm	soft	422 531
ID 65, SK 65	80 mm	hard	000 246.000
ID 90 and 100, SK 100	120 mm	soft	230 227.006
ID 90 and 100, SK 100	120 mm	medium	016 091.003
ID 90 and 100, SK 100	120 mm	hard	234 053.001
ID 125, SK 125	150 mm	medium	018 841.002
ID 125, SK 125	150 mm	hard	223 673.007



Catching basket

	Art. No.
Catching basket for sponge rubber balls, 3", to 80 mm	277 920.007
Catching basket for sponge rubber balls, 4.5", to 120 mm	276 715.006
Catching basket for sponge rubber balls, 5.5", to 150 mm	276 593.008



Cleaning port for cleaning with compressed air

with pressure gauge and air discharge

	Art. No.
Cleaning port SK 100/4,5"	276 711.000
Cleaning port SK 125/5,5"	276 591.000



Hose connectors

for mortar hoses and air hoses

for hoses Ø	Width	Art. No.
25 mm	13 mm	214 579.000



3. Application Accessories and Spare Parts



Maximum flexibility for your applications

Our machine range is one of the world's most extensive in the building sector. Therefore, you are best equipped for all requirements. However, depending on the application, you may need special accessories such as sprayers or spray guns and things that make your work easier and safer. You will find all this in proven quality, of course.

Quality accessories at the drop of a hat

If you need accessories, this involves just a mere time schedule and the question as to when the relevant part can be at the at the building site. In a very short time! This is our answer, for we have the most common parts of our extensive range in stock and deliver promptly.

No time for tedious searching

With the aid of our electronic spare parts catalogue and our machine numbers, we can quickly find just the right spare parts for you.



Everything good from a single source

The principle of "everything from a single source" is not new, but has worked well in practice. And it offers multitude of benefits: Firstly, you save time because of fewer order processes. Secondly, you get greater reliability. Because our Quality Management already starts with the critical choice of our ISO certified suppliers and their regular checks. This means maximum quality even with parts that we do not manufacture ourselves.

Quality at fair prices

And thirdly, we offer you all these benefits at the best conditions, particularly at fair prices.



Screed

- Discharge stands 40
- Smoothing machine 42
- Tools for screed layers 43
- Screed layer trousers 44
- Overshoes, spikes, knee pads 45

Plastering

- Spray guns with nozzles 46
- Compressors 50
- Hopper guns 50
- Water pumps 51
- In-line mixers 51
- Tools for plasterers 52

Concrete

- Spray guns with nozzles 55
- Pumping aids, PM slick-pak 55

Other application accessories

- Water hoses and air hoses 56
- Hose clips for air hoses 56
- Pressure gauges 57
- Cleaning and care products 58
- Test and measurement equipment 59
- Accessories General 59
- Machine and working accessories 60
- Cables and cable drums 61

Discharge stands

Discharge stand, 3-legged, incl. connection kit

Steel design		Aluminium design	
Connection	Art. No.	Connection	Art. No.
PM 50	529 740	PM 50	529 743
KKV 70	529 741	KKV 70	529 744
KKV 89	529 742	KKV 89	529 745



Discharge stand, skid, incl. connection kit

Steel design		Aluminium design	
Connection	Art. No.	Connection	Art. No.
PM 50	529 746	PM 50	529 749
KKV 70	529 747	KKV 70	529 750
KKV 89	529 748	KKV 89	529 751



Base frame and connection kits

Base frame, 3-legged		Base frame, skid		Connection kit	
	Art. No.		Art. No.		Art. No.
Steel	534 169	Steel	534 171	Adapter kit for PM 50	534 166
Aluminium	534 170	Aluminium	534 172	Adapter kit KKV 70	534 167
				Adapter kit KKV 89	534 168



Discharge stand, steel, high removable foot

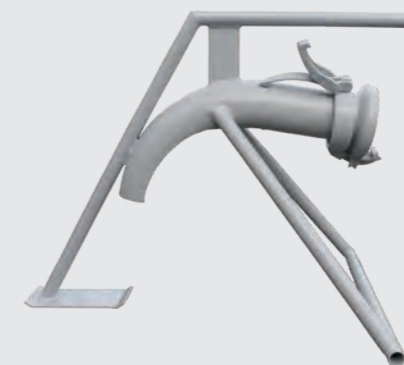
	Art. No.
Discharge stand, removable foot	517 367

Scope of supply incl.
all connection adapters
PM 50, KK 70 und KK 89



Discharge stand, steel skid KKM 108

	Art. No.
Discharge stand, skid	209 811.003



Spare parts for discharge stands

Connection adapter for discharge stand		Retaining pins for adapter		other parts	
	Art. No.		Art. No.		Art. No.
PM 50	458 782	PM 50	459 068	Rubber pot	468 004
KK 70	458 783	KK 70	459 069	Rubber foot (3x)	435 226
KK 89	496 531	KK 89	499 202	Spring cotter pin	062 187.000



Spare parts for old generations

Brinkmann		Putzmeister	
	Art. No.		Art. No.
Discharge pot, black	H42 9002 5253	Discharge pot	432 252
Rotating sleeve POM	H18 0500 3817	Rubber foot	435 226
Rubber foot	435 226	Reducing sleeve 3"-2"	042 872.005
Rubber grip	H31 9005 1010	MT 50, 2" RI	211 600.008
MT 50, 2½" RI	H70 5050 2212	KKM 70, 2" RI	015 664.004
KKM 70, 2½" RI	H71 7270 2215		



Smoothing machine EB 600 TL

Technical data

Ø Scrapping plate	600 mm	Height	min. 800 mm max. 1100 mm
Speed of drive shaft	125 1/min	Power connection	CEE-standard coupling, 16 A
Drive motor	1.1 kW at 125 1/min 230 V AC, 50 Hz	Order number	111 642.000
Total weight	42 kg		

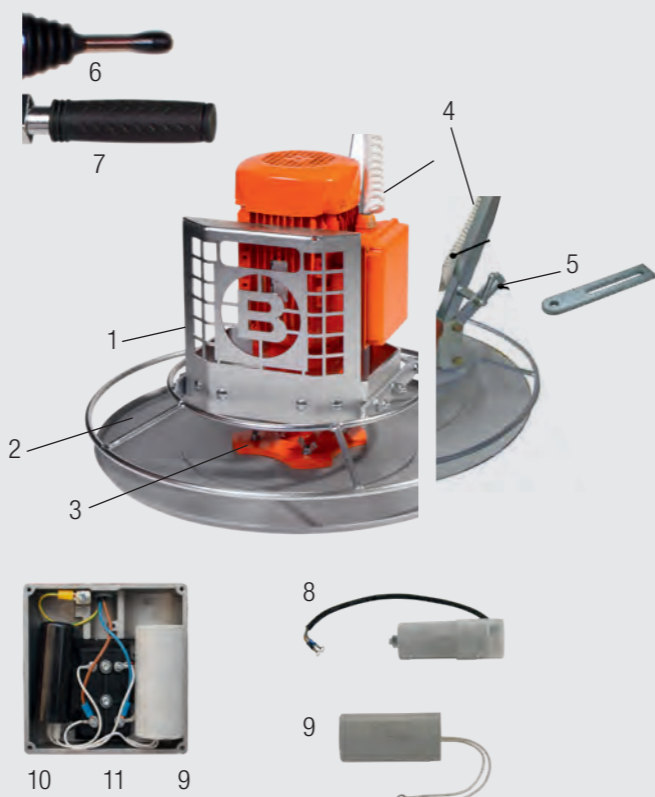


Spare parts for smoothing machine

	Fig.	Art. No.
Joystick control switch	6	H24 0940 3473
Rubber hand grip black (2x)	7	H31 9005 1010
Protection frame top with logo	1	H28 0974 2010
Scrapping plate D 600 mm - standard	2	H28 0974 1847
Mounting plate/plate hub	3	H18 0175 0500
Helix cable	4	H31 8301 5900
Bracket for fastening grip	5	H28 0974 1020

Capacitors

	Fig.	Art. No.
old version of capacitors outside		
Operating capacitor	8	H30 4800 5012
Starting capacitor		H30 4800 5011
current version of capacitors inside		
Operating capacitor	9	H52 7682
Starting capacitor	10	H52 7681
Control block (relay)	11	H53 2112



Scrapping plate

	Art. No.
Scrapping plate D 600 - Standard	H28 0974 1857
Scrapping plate D 600 - low	H28 0974 1846
Scrapping plate D 600 - with bevel	655 127
Scrapping plate D 600 - 90°	664 255
Steel trowel D 560	H28 0974 1857
Smoothing plate for heavy model	H18 0170 0030



Tools for screed layers

Smoothing and measuring floats

with 1 horizontal level, approx. 80 × 17 mm

Width	Art. No.
100 cm	362 315.006
150 cm	362 316.005
200 cm	362 317.004
250 cm	362 318.003
300 cm	362 319.002

with 1 horizontal and 1 vertical level, approx. 100 × 18 mm

Width	Art. No.
100 cm	H75 0000 4010
150 cm	524 455
200 cm	524 456



Levelling tripods

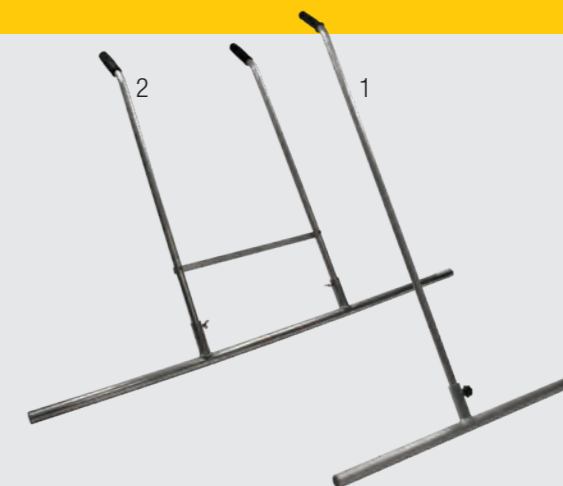
with high feet for larger self levelling floor screed heights

	Fig.	Art. No.
No. 1 standard, 12 cm	1	211 703.002
No. 2 high, 14 cm	2	211 704.001



Dapling bars

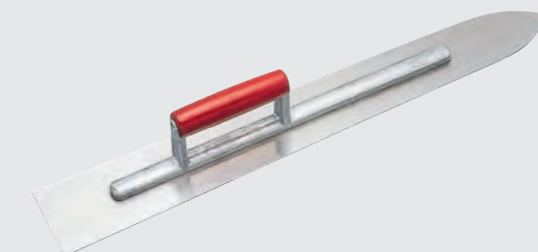
Width	Ø	Handles	Fig.	Art. No.
800 mm	30	1	1	H18 0000 0800
1500 mm	30	2	2	H18 0000 1500
2200 mm	30	2	2	H18 0000 2200
3000 mm	30	2	2	H18 0000 3000
900 mm	50	1	1	H18 0050 0090
1500 mm	50	2	2	H18 0050 0150
2200 mm	50	2	2	H18 0050 0220



Screed Layers' smoothing trowel

Handle red, with extra long aluminium bar

	Art. No.
500 × 90 mm	362 308.000
600 × 90 mm	362 309.009
700 × 90 mm	362 310.001



Tools for screed layers (continuation)

Swiss smoother

Art. No.

stainless-steel, screwed on handle 500 × 130 × 0.7 mm 063 243.008



Marking gauge

Art. No.

85 – 115 cm	H75 0000 1990
Replacement spike	H75 0000 1991
Replacement knob	H75 0000 1992
Replacement scale 85 – 115 mm	658 379



Consistency value box

Art. No.

with test tool, base plate, sponge, rubber gloves, spatula, trowel, prism

H70 5000 5360



Screed layer trousers

Screed layer dungarees

Size	Art. No. (Fig. 1)	Art. No. (Fig. 2)
48	H75 0000 1148	362 347.003
50	H75 0000 1150	362 348.002
52	H75 0000 1152	362 349.001
54	H75 0000 1154	362 350.003
56	H75 0000 1156	362 351.002
58	H75 0000 1158	362 352.001
60	H75 0000 1160	362 373.006
62	H75 0000 1162	
64	H75 0000 1164	
Spare knee pads	H75 0000 1270	



Screed layer waistband trousers

Size	Art. No. (Fig. 3)	Art. No. (Fig. 4)
44	H75 0000 1244	
48	H75 0000 1248	362 353.000

Screed layer waistband trousers (continuation)

Size	Art. No. (Fig. 3)	Art. No. (Fig. 4)
50	H75 0000 1250	362 354.009
52	H75 0000 1252	362 356.007
54	H75 0000 1254	362 357.006
56	H75 0000 1256	362 358.005
58	H75 0000 1258	362 359.004
60	H75 0000 1260	362 374.005
Spare knee pads	H75 0000 1270	



Overshoes, spikes and knee pads

Screed overshoes

	Design	Art. No.
Screed overshoes (1 pair) with feather binding, black	light	H28 0974 0980
Screed overshoes (1 pair) with rubber binding, grey	heavy	557 968
Screed overshoes (1 pair) with rubber binding, orange	heavy	H28 0974 0984
Spare belt for heavy-duty design		
front		362 771.000
back		362 772.000



Spikes

	Art. No.
for screed shoes (1 pair)	531 746



Knee pads

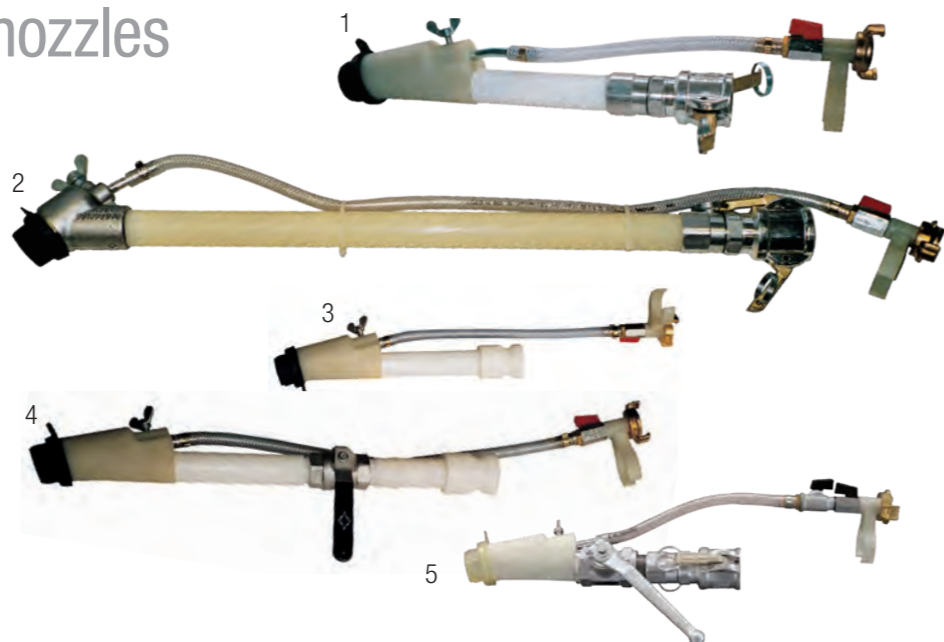
	Fig.	Art. No.
Harmonica	1	362 344.006
Box-form made of polyurethane with wide protection	2	362 343.007
Spare belt		
Length 410 mm		362 346.004
Length 320 mm		362 345.005
Spare buttons		
Buttons – short for knee pads		H28 0974 0959
Buttons – long for knee pads		H28 0974 0960



Spray guns with nozzles

Fine plaster spray guns – made of plastic ready-mix dry mortar

Up to a grain size of 4 mm for all ready-mix dry mortar requiring reworking, e.g. gypsum plaster, cold cement plasters, etc., max. flow rate 30 l/min, air requirement approx. 200 l/min.



Fine plaster spray guns made of plastic

Nominal size	Mortar cock	Air cock	Design	Nozzle Ø	Weight	Fig.	Art. No.
M 25–40 mm with rotating coupling	yes	2	short, 300 mm	14 mm	2.4 kg	5	408 237
M 25–40 mm with rotating coupling	–	1	short, 405 mm	14 mm	1.2 kg	1	402 592 MP 25 Standard
M 25–40 mm with rotating coupling	–	1	long, 1 460 mm	14 mm	2.6 kg		403 812
M 25–40 mm with rotating coupling and angled aluminium head	–	1	long, 770 mm	14 mm	1.2 kg	2	404 479
M 25–40 mm with rotating coupling and angled aluminium head	–	1	long, 1 185 mm	14 mm	1.5 kg	2	404 361
V 35 mm	–	1	short, 285 mm	14 mm	0.6 kg	3	203 054.002
V 35 mm	yes	1	short, 450 mm	14 mm	0.65 kg	4	209 174.009

Rubber collar nozzles

Ø	Art. No.
18 mm	001 329.007
20 mm	001 330.009



Mortar nozzles, conical

Ø	Art. No.
10 mm	521 640
12 mm	521 641
14 mm	521 642
16 mm	521 643



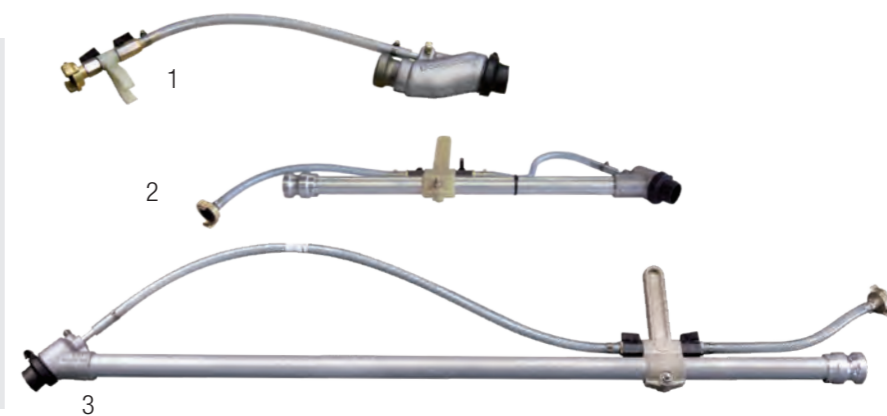
Rubber fine plaster nozzles

Ø	Quality-PE Art. No.	Quality-PU Art. No.
8 mm	214 751.006	417 556
10 mm	214 752.005	417 974
12 mm	214 753.004	410 982
14 mm	214 754.003	417 554
16 mm	214 755.002	417 555



Ground plaster spray guns made of aluminium for ready-mixed wet mortar, site-made mixes

Up to a max. grain of 8 mm can be used for preparatory and base plasters as well as scraped surface and insulating plaster, primarily for ready-mix materials but also very suitable for site-made mixes. Max. flow rate of up to 40 l/min, air requirement approx. 200–400 l/min. All 3 spray guns are in ID V 35, have 2 air cocks and 1 bore.



Ground plaster spray guns made of aluminium

Design	Nozzle Ø	Weight	Fig.	Art. No.
short, 185 mm, straight	20 and 16 mm	1.4 kg	1	001 306.004
short, 700 mm, angular	20 and 16 mm	1.5 kg	2	209 307.009
long, 1 300 mm, angular	20 and 16 mm	1.7 kg	3	209 308.008

Texture plaster spray guns

Up to a grain size of approx. 4–6 mm – for mineral spray or dispersion plasters as well as for sealing slurries, fillers etc. Flow rate of up to 10 l/min, air requirement 400–800 l/min.

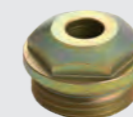


Texture plaster spray guns

Nominal size	Nozzles Ø	Weight	Art. No.
M 25 mm	4, 6, 8 mm	2.2 kg	071 473.006
M 25–40 mm	4, 6, 8 mm	2.2 kg	208 751.009

Spray nozzles for texture plaster spray gun

Ø	Art. No.
4 mm	000 225.005
6 mm	000 227.003
8 mm	000 229.001
9 mm	000 230.003
10 mm	000 231.002



Material nozzles for texture plaster spray gun

Ø	Diameter Design	Art. No.
12 mm	air holes Ø 3 mm – red	206 734.002
12 mm	air holes Ø 2 mm – silver	206 751.001



Spray guns with nozzles (continuation)

Refurbishing spray gun

Up to grain size of 6 mm for mineral-based plasters for refurbishing, for concreting with ring nozzle and flexible spray pipe.



Spray nozzles for texture plaster spray gun

	Art. No.	Nozzle pipe Vulkollan	Art. No.
ID 1", Ø 12 mm nozzle, RI 1" AG, weight 1.2 kg	207 283.002	Ø 15 mm	207 286.009
ID V 35/RI 1" coupling connection – plastic	203 135.002	Ø 12 mm	207 285.000
ID M 25–40/RI 1", coupling connection	211 597.001		

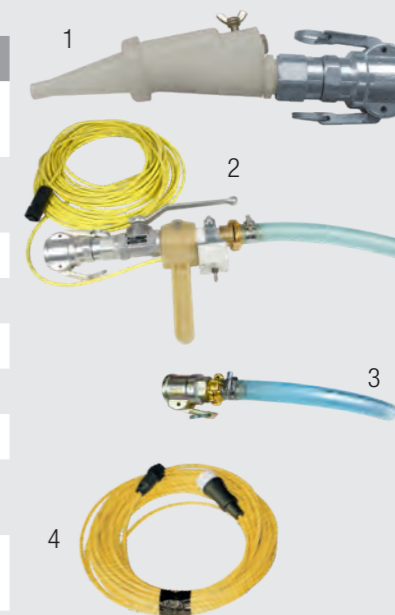
Application nozzles

Art. No.
RI 1"/GEKA mortar application nozzle 160 mm wide 071 566.007



Crevice and frame filling devices

Nozzle nominal size	Fig.	Art. No.
DN 10 crevice device with tangent. Spray head, crevice nozzles, rotating coupling M 25–40	1	415 689
DN 25 frame filling device with ball cock, rotating coupling M 25–40, acc. Fig., 20 m E-remote control cable (for MP + Sprayboy)	2	214 236.000
Remote control cable connector plug and switch, 20 m long	3	214 254.008
DN 25 Frame filling hose with coupling M 25–40, 30 cm long		408 373
E-remote control with On/Off switch (connector plug), 20 m	3	269 446.007
E-remote control cable with connector plug for extension 30 m	3	211 507.004
E-remote control cable with connector plug for extension 20 m, 3 × 0,75	3	211 506.005
E-remote control cable with connector plug for extension 10 m, 3 × 0,75	3	211 505.006



Glue gun (carrying case kit)

	Art. No.
For PM coupling consisting of: Glue gun cpl., toolbox 410, cleaning brush D, grease gun – small, adapter cable 4P Harting/Binder, with PM coupling	408 422
In addition we recommend: 20 m remote control cable	211 506.005



Injection lances

	Art. No.
Injection lance cpl. with T-piece, pressure gauge, remote control air cock, coupling with nozzle pipe ID 50, expanding collar D 45 and mounted collar D 38	001 128.004
Injection lance as above, but without T-piece, without pressure gauge and without remote control cock, connection V 35/RI 1"	001 133.002
Expanding collar D 38	070 344.000
Expanding collar D 45	070 345.009



Compressors

Compressor

	Art. No.
Compressor, 200 l/min, 400 V/50 Hz, 3-phase, with cut-off (MP series)	487 420
Compressor, 180 l/min, 230 V/50 Hz, 1-phase, with cut-off (MP series)	481 087



Compressor HANDY

	Art. No.
Compressor HANDY, 250 l/min, 400 V/50 Hz, 3-phase	000 235.008
Compressor HANDY, 250 l/min, 230 V/50 Hz, 1-phase	000 215.002
Compressor HANDY, 250 l/min, 230 V/60 Hz, 3-phase	209 975.004



Compressor V-Meko

	Art. No.
Coupling 1/4" GEKA is needed if compressor is not used in conjunction with mixer pump	207 969.009
Compressor V-MEKO 400, 360 l/min, 400 V/50 Hz, with pressure switch-off	400 168
Compressor V-MEKO 400, 360 l/min, 400 V/50 Hz, without pressure switch-off	205 767.009
Compressor V-MEKO, 360 l/min, 3 x 380 V/60 Hz, with pressure switch-off	462 267



Hopper guns

Hopper guns with accessories

	Art. No.
Hopper gun cpl. with air hose in box	207 307.001
Hopper gun without hose and packaging	210 014.006
Air hose with EWO plug-in connectors, 10 m	209 345.003
Air hose with EWO plug/GEKA coupling	207 958.007
Holder for hopper gun	206 766.009
Elbow	001 430.006



Water pumps

Booster pumps

	Art. No.
Auxiliary water pump, self-priming with check valve in the suction line, 230 V/50 Hz, 0.33 kW, 3.4 m³/h, max. pumping pressure 6 bar	423 324
Auxiliary water pump, self-priming with check valve in the suction line, 400 V/50 Hz, 0.33 kW, 3.4 m³/h, max. pumping pressure 6 bar, with Hart connector	422 097
Auxiliary water pump, self-priming with check valve in the suction line, 400 V/50 Hz, 0.33 kW, 3.4 m³/h, max. pumping pressure 6 bar, with CEE connector	435 229
Water pump 3.4 m³/h self-priming with automatic switching mechanism, 230 V/50 Hz, 0.75 kW, water-protected IP 65, with check valve in the suction line	429 706

Remixers

	Art. No.
Uni remixer without collar nuts (Accessories: see Rotors with Pins)	400 566
Cross shaped mixing paddle for uni remixer	400 580
Collar nut (2x)	208 801.001
Tie rods for uni remixer (2x)	660 841
PM coupling V 35/25–40 reduced	207 795.008
Flow pressure gauge 0–60 bar for hoses ID 25–40	214 570.009
Flow pressure gauge 0–60 bar for hoses ID 35–40	472 506



Tools for plasterers

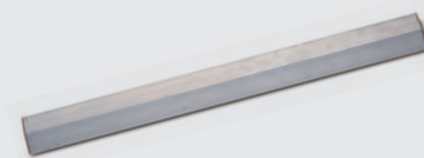
Alu H-shaped float

Profile 114 × 50 × 28	Art. No.
Length 1.0 m	000 190.004
Length 1.2 m	000 191.003
Length 1.5 m	000 192.002
Length 1.8 m	000 193.001
Length 2.0 m	000 194.000



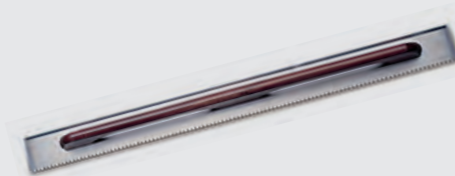
Alu trapezoidal float

Profile 97 × 17 mm	Art. No.
Length 1.0 m	000 195.009
Length 1.2 m	000 196.008
Length 1.5 m	000 197.007
Length 1.8 m	000 198.006
Length 2.0 m	000 199.005



Alu float

with wooden handle	Art. No.
Length 1.2 m	000 202.002
Length 1.5 m	000 200.004
Length 1.8 m	000 201.003



Nozzle cleaner

	Art. No.
Nozzle cleaner D = 4 mm	064 073.002



Assembly spray

Mounting aid for rotor-stator	Art. No.
Silicon spray, 400-ml aerosol	508 975



Smoothing trowels

Steel design	Art. No.
280 × 130 mm	362 311.000
280 × 140 mm, Nirosta	063 245.006
Plastic design	Art. No.
280 × 140 × 3 mm	363 150.008



Finishing spatula

	Art. No.
350 mm	531 714
500 mm	362 362.004



Ceiling saw/plasterer's saw

	Art. No.
320 mm	063 231.007



Floats

Plastic design, 280 × 140 mm	Art. No.
coarse pore	063 236.002
fine pore	531 759
Spare cover, coarse pore	063 235.003
Spare cover, fine pore	531 760



Polyurethane design	Art. No.
280 × 140 mm	363 180.007
320 × 180 mm	363 181.006
420 × 220 mm	362 312.009
480 × 240 mm	362 313.008



Tools for Plasterers (continuation)

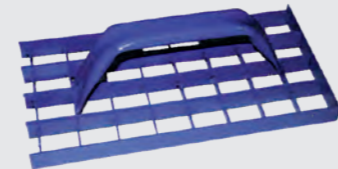
Aluminium plasterer's plane

500 × 85 mm	Art. No.
with 8 blades	063 234.004



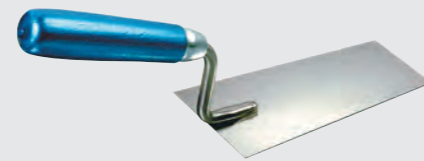
Mesh scraper

galvanised	Art. No.
285 × 140 mm	063 240.001
370 × 170 mm	363 165.006



Bricklayer's trowel

stainless steel – with straight neck	Art. No.
180 mm	063 375.002



Plasterer's trowel

stainless steel	Art. No.
70 mm	064 071.004
100 mm	363 164.007



Corner spatula

stainless steel – for inside	Art. No.
80 × 60 × 60 mm	063 247.004



Stainless plaster scraper

pointed shape	Art. No.
180 × 90 mm	531 744



Plasterer's plane

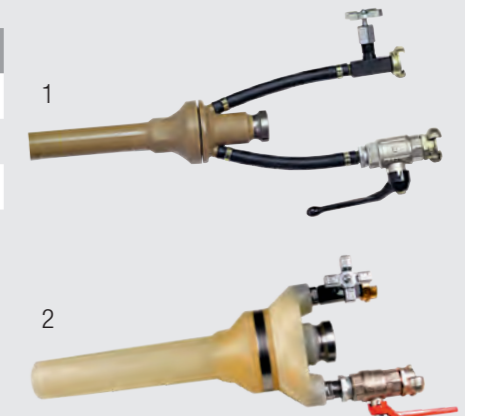
330 × 40 mm	Art. No.
	531 743



Spray guns with nozzles

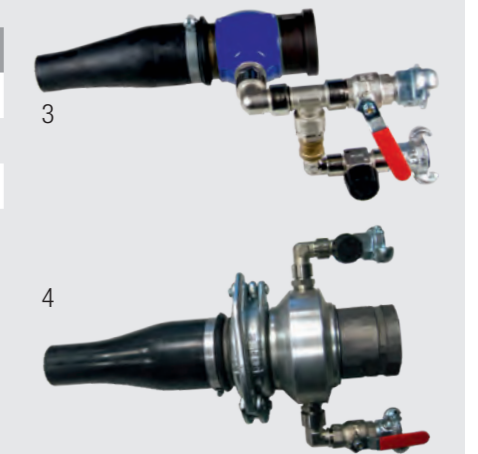
Concrete spray nozzles made of plastic

ID	Air cock	Cock acc.	Nozzles Ø	Weight	Fig.	Art. No.
V 35 mm	1	1	28 mm	3.0 kg	1	011 780.005
						011 781.004
V 50 mm	1	2	30 mm	3.5 kg	2	651 567
						413 084



High-pressure concrete spray gun

	Fig.	Art. No.
2" AG High-pressure concrete spray gun with rubber nozzle, 3.8 kg	3	532 589
Spare nozzle for ID 30		532 590
SK 3" High-pressure concrete spray gun, 8.7 kg	4	625 697
Spare nozzle SK 3"		610 394



Pumping aids

Pumping aids

	Art. No.
PM slick-pak, 18-l-storage bucket, 25 pcs.	266 743.004
PM slick-pak, 227-g pack	265 389.003



Water hoses and air hoses

Water hoses ¾"

	Length	Art. No.
with GEKA coupling ¾"	40 m	210 789.001
Hose per meter without coupling, ID 19 × 4, up to 12 bar operating pressure	40 m	210 798.005
Spray nozzle, with GEKA coupling ½", lockable		042 419.002



Air hoses ½"

	Length	Art. No.
with GEKA coupling ½"	10 m	001 682.003
with GEKA coupling ½"	15 m	212 333.002
with GEKA coupling ½"	20 m	001 665.004
with GEKA coupling ½"	30 m	202 911.007
with GEKA coupling ½"	40 m	214 734.007
Hose per meter without coupling, ID 13 × 3.5, up to 12 bar operating pressure	40 m	001 601.000
Hose per meter without coupling, ID 13 × 4, up to 12 bar operating pressure	40 m	206 433.002



Air hoses EWO

	Length	Art. No.
Air hose, Ø 10 mm	10 m	463 791
Air hose, Ø 10 mm	25 m	462 721
EWO coupling, outside thread (RA) ½"		213 269.007



Hose clips

for air hoses

for hoses Ø	Width	Art. No.
15–17 mm	8 mm	002 328.007
17–20 mm	8 mm	002 329.006
20–23 mm	8 mm	002 330.008



Pressure gauges

Pressure gauges for ID 50

		Art. No.
with coupling V 50/grease buffer	0–6 bar	011 729.008
only pressure gauge	0–6 bar	001 245.000
with coupling V 50/grease buffer	0–10 bar	011 730.000
only pressure gauge	0–10 bar	001 246.009
with coupling V 50/grease buffer	0–25 bar	426 387
only pressure gauge	0–25 bar	426 370
with coupling V 50/grease buffer, Ø 60 mm	0–40 bar	420 989
with coupling V 50/grease buffer	0–100 bar	426 388
only pressure gauge	0–100 bar	426 369
T-piece for pressure gauge ID 50 mm		071 554.006



Pressure monitor and pressure gauge

	Art. No.
Pressure monitor cpl. with grease buffer 2–32 bar	011 757.009
Protective cap for pressure gauge NG 100	001 252.006
Air test pressure gauge 1", T-piece 0–6 bar, with GEKA coupling	001 160.004
Test pressure gauge with 1" hose cock ID 25	014 375.006
Test pressure gauge with 1" hose cock ID 25–40	208 745.002
Flow pressure gauge 0–60 bar for hoses ID 25–40	214 570.009
Flow pressure gauge 0–60 bar for hoses ID 35–40	472 506



Cleaning and care products

Grease guns and grease

	Fig.	Art. No.
Hand lever grease gun with hose	1	000 211.006
Grease gun, small (S 5)	2	000 112.008
Filling pump, manually operated	3	210 075.003
Filling pump, manually operated, with 90° angle for M 740/4	4	590 315
Grease cartridges with high performance grease, 400 g	5	000 113.007
Multi-purpose grease KL 2K-30, 4.5 kg	6	H60 5150 0030



Cleaning brushes

	Art. No.
Cleaning brush, approx. 48 cm	000 100.007
Hand brush "Brinkmann"	H75 0000 1070



Spray gun

	Art. No.
PM Spray gun incl. 5 m hose	000 210.007



Care product

	Art. No.
biodegradable, 20-kg canister	410 139



Gloves

		Art. No.
Neoprene gloves (1 pair)	Size 8	658 458
Neoprene gloves (1 pair)	Size 9	H75 0000 1026
Neoprene gloves (1 pair)	Size 10	648 875
Neoprene gloves (1 pair)	Size 11	658 459



Test and measurement equipment

Vessel testing device

	Art. No.
with silencer	486 615



Frequency measuring device

	Art. No.
For checking the belt tension on the V-ribbed or toothed belt	466 768



Wall thickness measuring device

	Art. No.
Wall thickness measuring device, digital	277 434.001



Accessories General

Hose holder for the attachment of hoses

	Fig.	Art. No.
Hose holder, leather	1	000 206.008
Hose holder, textile	2	H20 0000 1207



Safety helmet

	Art. No.
Safety helmet, yellow, with PM imprint	064 626.006



Machine and working accessories

Chocks and holders

	Art. No.
Chock, sheet steel 636	015 006.002
Holder for 636	061 362.004
Chock, plastic UK 10	415 904
Holder for UK 10	415 905
Chock, plastic UK 36	484 954
Holder for UK 36	484 956



Trailer lighting

	Art. No.
Light set, 1.6 m cable, 13-pin connector, 12 V	496 261
Light set, 1.6 m cable, 13-pin connector, 24 V	507177
Light set, 1 m wide, 6 m cable, 7-pin connector, 12 V	207 525.003
Light set, 1 m wide, 6 m cable, 7-pin connector, 24 V	209 028.003



Vehicle cable adapter

	Art. No.
13- to 7-pin connector, 12 V	437 679
7- to 13-pin connector, 12 V	248 012.009



Licence plate bracket

	Art. No.
with hinged frame	362 732.003



Soft Dock

	Art. No.
Coupling guard for ball head couplings on Alko chassis	491 951



Theft protection

	Art. No.
for spherical head coupling	H22 4696 1000
Wheel clamp with 2 keys	H22 1730 8010



Cables and cable drums

Connecting site cable to power supply

	Art. No.
Extension cable 16 Amp., 230 V 3 x 2.5 mm ² , 20 m	212 960.006
Extension cable 16 Amp., 400 V, 5 x 2.5 mm ² , 30 m	430 516
Connecting site cable with CEE connector, 16 Amp., 10 m, 5 x 2.5 mm ²	211 457.002
Connecting site cable with CEE connector, 16 Amp., 25 m, 5 x 2.5 mm ²	214 592.003
Connecting site cable with CEE connector, 32 Amp., 50 m, 5 x 2.5 mm ²	062 921.004
Connecting site cable with CEE connector, 32 Amp., 25 m, 5 x 4 mm ²	062 922.003
Connecting site cable with CEE connector, 32 Amp., 50 m, 5 x 4 mm ²	062 923.002
Extension cable 32 Amp., 400 V, 5 x 6 mm ² , 30 m	430 518
Solid rubber distributor IP54 63A for 32A+16A	658 971



4. Machine related Service and Wear Parts



Service and maintenance kits current machine generations

Overview of service packages	
Screed machines	64
Mixokret M 740/M 760	66
P 715/ P 718	70
P 13	72
MP 25	76
FHS	78
S 5 EV/TM	80
DC 450/ DC 550	82
SP 11	86

Designed repairable for long value preservation

When designing our machines we concentrate on optimum service and maintenance features. For the easier it is to access all components, the less time and money is incurred for additional work making repair work worthwhile longer.



Maximum service life down to the last detail

All materials and components of our machines have maximum service life and wear resistance. For example: the hoods of our new machines are made of high-strength, impact-resistant plastic. The P 715 and P 718 have hard chrome-plated cylinders as well as a wear plate made of hardened steel.

Extending service life with regular maintenance

With regular maintenance and original wear and spare parts you preserve the value of your Putzmeister machine while additionally extending their service life. Our service and maintenance kits help you to achieve this and offer additional, attractive cost benefits.



Service Package Overview of Screed Machines

Service and maintenance packages

Putzmeister							
according to	M 740/4	M 740/3	M 740/2	M 760/5	M 760/4	M 760/3	M 760/2
50 h	600 433		422 656	642 882	600 433		422 262
100 h		580 492				580 492	
125 h							
200 h							
400 h				642 910			
500 h	598 375	493 689	422 657		600 434	502 366	422 263
800 h				642 936			
1000 h	598 376	504 208	422 658		600 435	504 207	422 264
according to	P 715/18	SP 11 *	P 13 DMR **	SP 20 THF	M 720	M 730/3	M 730/2
50 h	657 031	658 758		650 104		526 705	427 721
100 h							
125 h							427 722
200 h		658 759	656 984	650 108	L82 917	526 706	
400 h		658 761			L82 918		
500 h	657 032			650 111		528 315	
800 h							
1000 h	657 033					526 707	427 724



* for SP 11 versions: LMR, TMR, THF - Beliso BMR, BMT, BMB, BUR, BHF
 ** for Lombardini engine

Service and maintenance packages

Brinkmann						
according to	DC 550	DC 450	450 Electro	DC 260/45 & 55	FE 400	FHS 200/3
50 h				H 8000 1050	650 104	H87 2040 9100
100 h	580 492	580 492				
125 h						
200 h					650 108	
400 h						
500 h	H87 1031 9100	H87 1031 9100	H87 1031 9103	H 8000 1051	650 111	H87 2040 9105
800 h						
1000 h	H87 1031 9102	H87 1031 9101	H87 1031 9104	H 8000 1052		H87 2040 9110
according to	3.200 FE ¹	SAT-FL	SAT-FL Turbo	5.500 ZE*	SAT-VZ	
50 h						
100 h						
125 h						
200 h						
400 h						
500 h	599 392	H87 4030 9005	H87 4030 9006	H87 4030 9020	H87 4010 6205	
800 h						
1000 h	599 393	H87 4030 9010	H87 4030 9011	H87 4030 9021	H87 4010 6210	



¹ Necessary to match exact with the machine number

Service Parts M 740 and M 760 Gen. 4

Maintenance packages

M 740 Gen. 4

Fig.	Art. No.
A	600 433
B	598 375
C	598 376

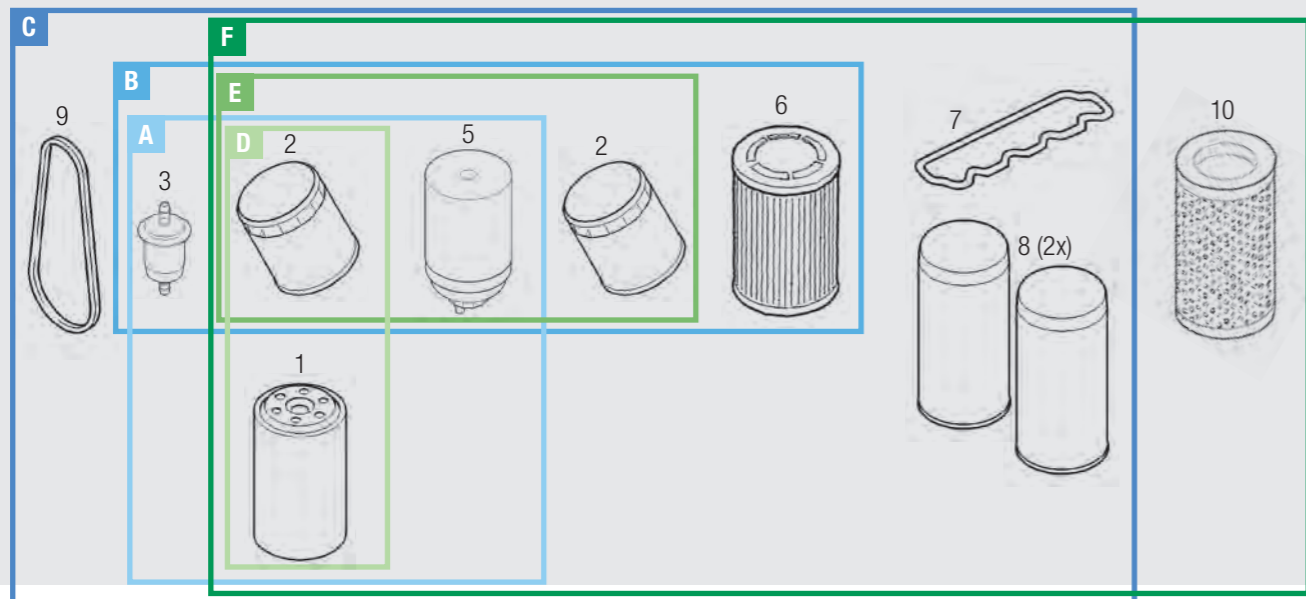
M 760 Gen. 5

Fig.	Art. No.
D	642 882
E	642 910
F	642 936

Contents of maintenance package

Fig.	Art. No.	Package			Package		
		F	E	D	C	B	A
		800 h	400 h	50 h	1000 h	500 h	50 h
Oil filter/Compressor	1	595 729	1x	1x	1x		1x
Oil filter/Motor	2	214 311.006			1x	1x	1x
Oil filter/Motor	2	643 396	1x	1x	1x		
Fuel line filter	3	478 929			1x	1x	1x
Fuel filter with water separation cartridge	5	208 777.009			1x	1x	1x
Fuel filter 1 µm	4	641 397	1x	1x			
Fuel filter	5	641 398	1x	1x			
Air filter element	6	287 630.002			1x	1x	
Air filter element	6	641 407	1x				
Valve cover gasket	7	461 877			1x		
Valve cover gasket	7	643 088	1x				
Air/oil separator element	8	595 726	2x		2x		
V-belt	9	459 107			1x		
Safety cartridge air filter	10	641 406	1x				
Safety cartridge air filter (f. 422505)	10	600 565	1x				

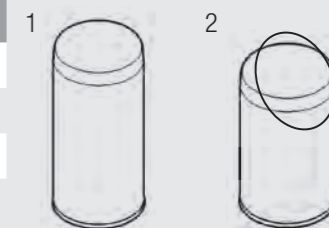
F E D C B A



Filters

Fine separators/Air/oil separators

740/4	740/3	740/2	740/1	760/5	760/4	760/3	760/2	Fig.	Art. No.
2x				2x	2x			1	595 726
						1x		2	493 943
		1x	1x					1	213 631.004
							1x	1	422 470



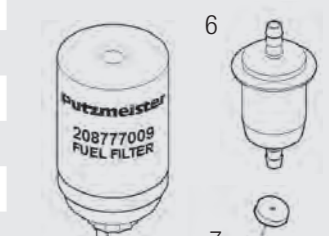
Oil filter/spin-on filter compressor

740/4	740/3	740/2	740/1	760/5	760/4	760/3	760/2	Fig.	Art. No.
1x				1x	1x			3	595 729
						1x		4	493 985
		1x	1x					3	213 629.003
							1x	3	203 598.005



Fuel filter

740/4	740/3	740/2	740/1	760/5	760/4	760/3	760/2	Fig.	Art. No.
1x	1x	1x	1x		1x	1x	1x	5	208 777.009
				1x					641 397
				1x					641 398



Fuel line filter

740/4	740/3	740/2	740/1	760/5	760/4	760/3	760/2	Fig.	Art. No.
1x	1x	1x	1x		1x	1x		6	478 929

Filling sieve fuel tank

740/4	740/3	740/2	740/1	760/5	760/4	760/3	760/2	Fig.	Art. No.
1x					1x			7	612 140
						1x		7	402 254
		1x	1x				1x	7	019 367.006
				1x				7	627 814



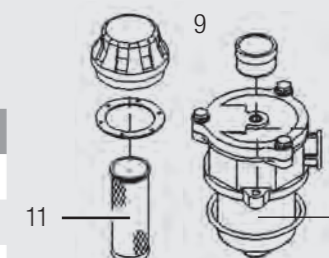
Oil filter motor

740/4	740/3	740/2	740/1	760/5	760/4	760/3	760/2	Fig.	Art. No.
1x	1x	1x	1x		1x	1x	1x	8	214 311.006
				1x					641 396



Hydraulic return flow filter for skip/scrapper B and BS versions

740/4	740/3	740/2	740/1	760/5	760/4	760/3	760/2	Fig.	Art. No.
1x	1x			1x	1x	1x	1x	9 complete	428 892
1x	1x			1x	1x	1x	1x	10 Filter element	433 980
1x	1x			1x	1x	1x	1x	Gasket set	456 065
		1x*	1x	1x				Filter element	214 578.001



Filter sieve for hydraulic tank (filler neck)

740/4	740/3	740/2	740/1	760/5	760/4	760/3	760/2	Fig.	Art. No.
1x	1x**			1x	1x	1x	1x	11 Sieb	421 097

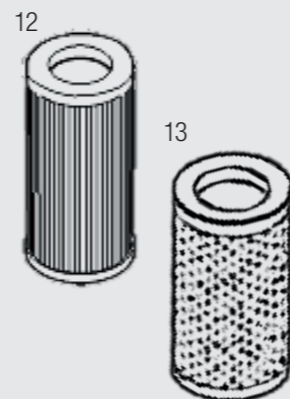
* until year of construction 2010

** from year of construction 2010

Filters (continuation)

Air filter element/Air filter cartridge

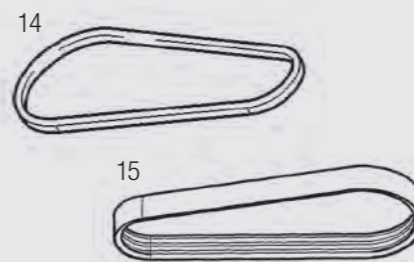
740/4	740/3	740/2	740/1	760/5	760/4	760/3	760/2	Fig.	Art. No.
1x	1x							12	Filter element 287 630.002
					1x		1x	12	Filter element 1 422 505
						1x		13	Cartridge 1 600 565
					1x			12	Filter element 2 E21 018
	2x	2x					1x	12	Filter element 213 616.003
						1x		12	Filter element 502 360
							1x	13	Cartridge H212 9149 311
				1x				12	Filter element 641 407
				1x				13	Cartridge 641 406



Other service parts

V-belt for generator

740/4	740/3	740/2	740/1	760/5	760/4	760/3	760/2	Fig.	Art. No.
1x					1x			14	459 107
	1x	1x	1x			1x	1x	14	493 987
				1x				14	651 399



* from year of construction 2010

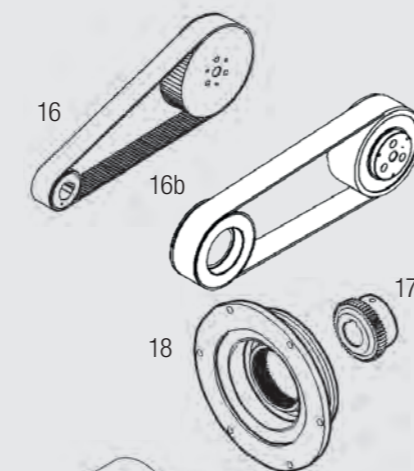
** until year of construction 2010

V-belt for mixing shaft

1x								15	594 480
	1x*							15	532 199
	3x**								480 255
		2x	2x						212 164.006

Toothed belt for compressor

	1x	1x						16	422 547
							1x	16b	422 253

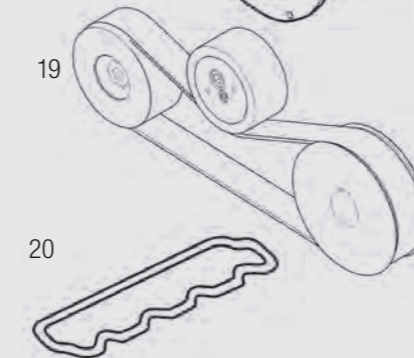


Direct drive via gear wheel

				1x	1x			17	578 493
1x	1x				1x	1x		18	493 889
	1x					1x		17	493 891
1x				1x				18	633 120

Toothed belt auxiliary output hydr. pump

1x					1x			19	587 099
						1x		19	507 361



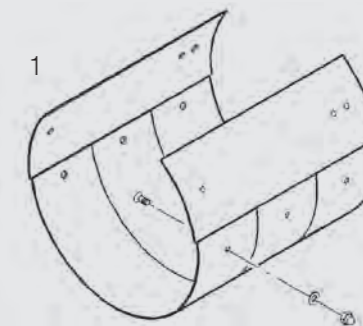
Valve cover gasket

740/4	740/3	740/2	740/1	760/5	760/4	760/3	760/2	Fig.	Art. No.
1x	1x	1x	1x					20	461 877
					1x	1x		20	502 517
				1x				20	643 088

Wear parts

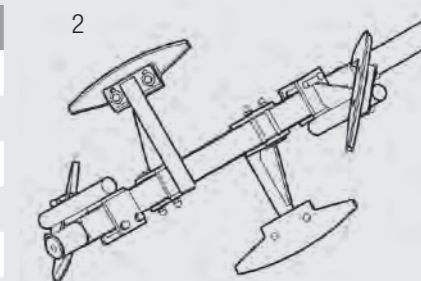
Wear plate set for standard chamber (Art. No. 524 537)

	Fig.	Art. No.
Wear plate with hole	1	429 862
Wear plate front/back (2x)	1	429 864
Wear plate lengthwise (2x)	1	429 865
Mounting kit, set of 10		



Mixer blade kit in PM bucket (Art. No. 206 581.006)

	Fig.	Art. No.
Mixing blade, back	2	205 237.005
Mixing blade, centre (2x)	2	205 306.004
Mixing blade, front	2	205 305.005
Mixing blade holder front (2x)	2	205 513.004
Mixing blade holder back (2x)	2	205 514.003
Mounting kit		546 305



Mixing shaft Vkt. 65 x 1268

	Fig.	Art. No.
	3	497 811



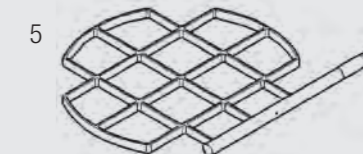
Lid gasket for mixing containers

	Fig.	Art. No.
	4	408 078



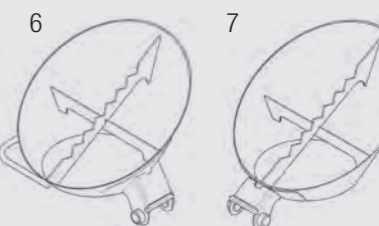
Protective grating and seals for mixing containers

	Fig.	Art. No.
	5	467 189



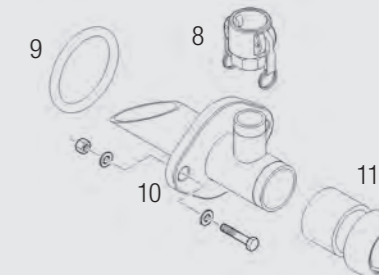
Hopper – galvanised

	Fig.	Art. No.
A1 crosswise	6	580 235
A2 lengthwise	7	580 237
for B and BS versions	7	579 732



Outflow mixing chamber ID 65/KKV 70 complete incl. mounting kit (Art. No. 489 819)

	Fig.	Art. No.
PM coupling M35	8	211 599.009
O-ring 112.0 x 14.0	9	002 224.004
Wear support ID 65	10	493 599
Coupling piece KKV 70	11	015 197.005



Service and Wear parts P 715/718

Maintenance packages

P 715 / P 718

	Art. No.
Service package "50 h" P715/718 (once-only)	657 031
Service package "500 h" P715/718	657 0321
Service package "1.000 h" P715/718	657 033

Content service package Diesel engine

	Fig.	Art. No.	1000 h	500 h	50 h
V-belt	1	459 107	1×		
Fuel filter	2	208 777.009	1×	1×	1×
Oil filter	3	214 311.006	1×	1×	1×
Air filter element	4	213 616.003	1×		
Valve cover gasket	5	461 877	1×		
Fuel line filter	6	478 929	1×	1×	1×

Hydraulic oil tank

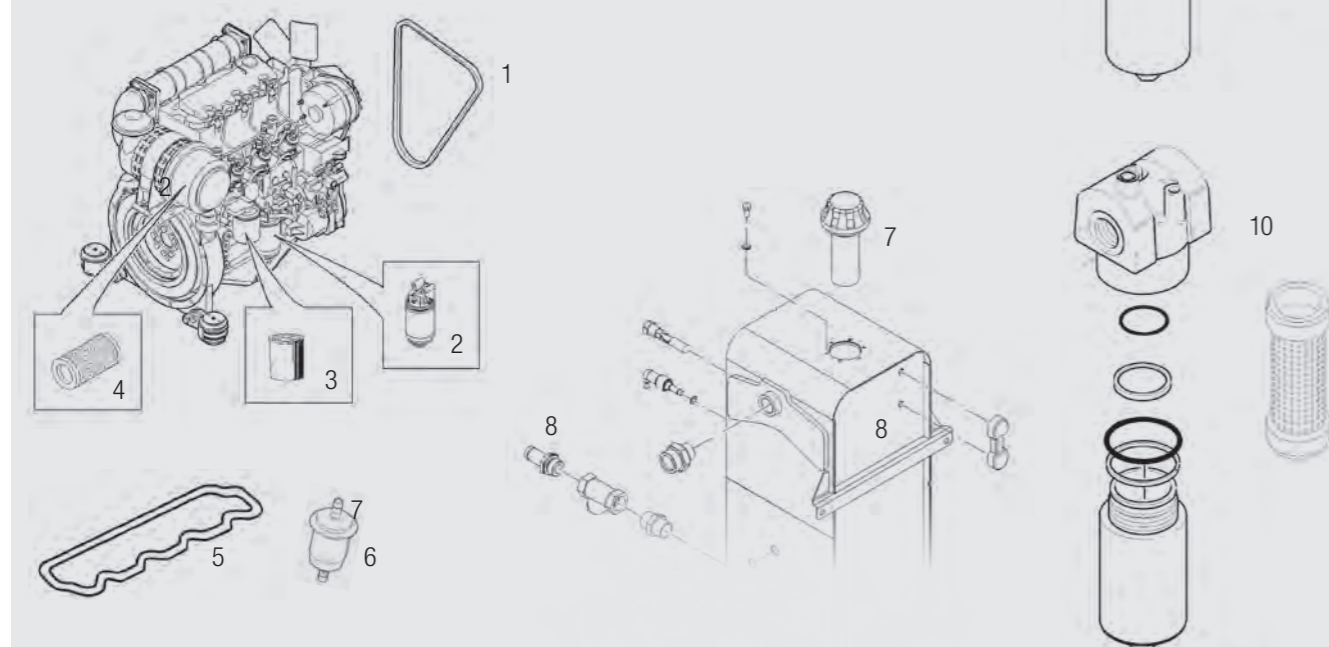
Sieve for filler neck	7	421 097	1×	1×	
Dirt trap suction line agitator pump	8	015 061.005	1×	1×	

Hydraulic filter – return flow agitator

Filter element 10 μ	9	223 192.009	1×	1×	
-------------------------	---	-------------	----	----	--

Hydraulic filter – return flow hydraulic cylinder

Filter element 175 μ	10	062 277.004	1×	1×	
--------------------------	----	-------------	----	----	--



Wear parts

P 715

Standard Duro 11 Ø 120 (Art. No. 265 550.007)	Fig.	Art. No.
Wear plate	1	255 546.005
Wear ring	2	259 870.007
Sponge rubber profile	3	267 926.008
O-ring	4	225 422.007

Alternatively, highly wear resistant Duro 26 Ø 120

	Fig.	Art. No.
Wear plate	1	603 590
Wear ring	2	590 988

P 718

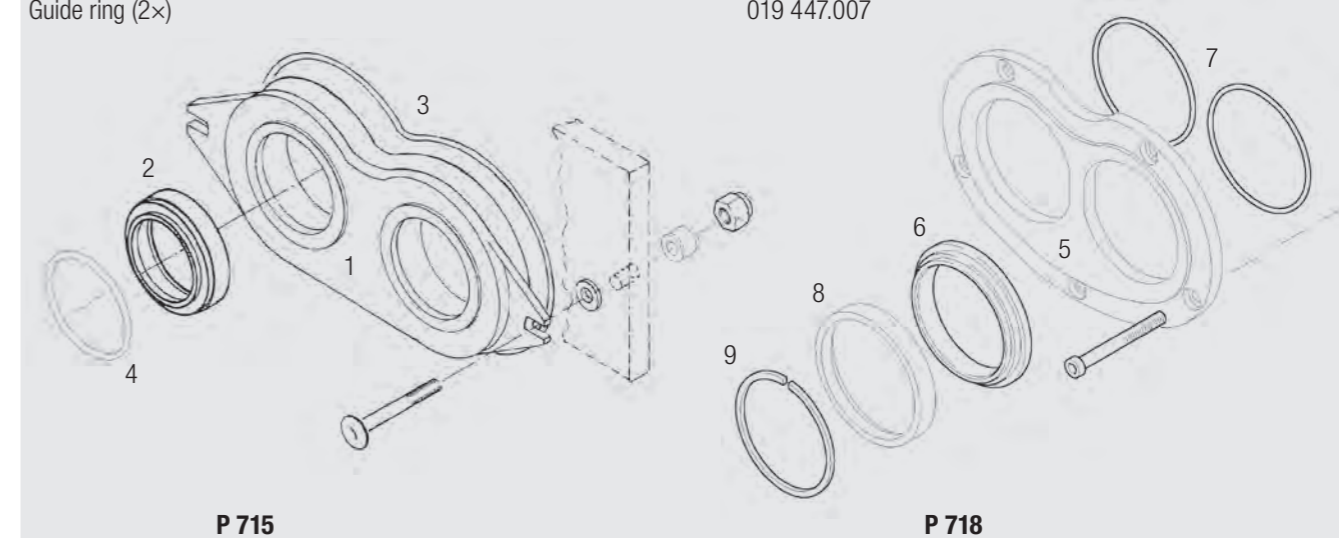
Standard Duro 22 Ø 150 (Art. No. 431 292)	Fig.	Art. No.
Wear plate	5	430 406
Wear ring	6	430 408
O-ring (2×)	7	043 435.001
Pressure ring	8	430 378
Drainage ring	9	430 379

Alternatively, highly wear resistant Duro 26 Ø 150 (Art. No. 584 063)

	Fig.	Art. No.
Wear plate	5	584 043
Wear ring	6	584 045

P 715 and P 718

Delivery piston (Art. No. 223 126.004)	Art. No.
Delivery piston collar (2×)	056 839.005
Guide ring (2×)	019 447.007



Service and Wear parts P 13

Service and maintenance parts

Maintenance package P 13 DMR / EMR

	Art. No.
Service package "50 h" (once-only) DMR / EMR	
Service package "200 h" DMR	656 984

Content maintenance packages

	Fig.	Art. No.	200 h	50 h
Filter element 10µ compressor		272 318.009		1×
Fuel filter Lombardini	1	591 879		1×
Motor oil filter Lombardini	2	591 878		1×
Seal ring Lombardini		037 534.002		1×
Fuel filter Hatz	1	209 478.006		
Motor oil filter Hatz	2	461 905		

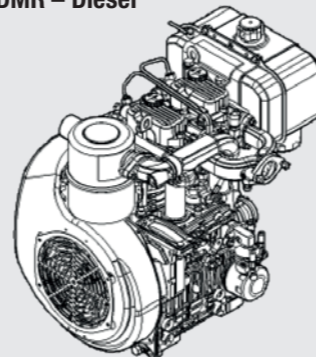
V-belt	Fig.	Art. No.	current version 111632xxx		old Version 111460xxx	
			DMR	EMR	DMR	EMR
			50 Hz	60 Hz	50 Hz	60 Hz
V-belt pump drive	3	013 168.007	1×			
	3	010 110.003		1×	1×	1×
V-belt mixer drive	3	013 232.001	1×	1×	1×	1×
	3	043 111.008				1×
V-belt ccompressor	3	013 165.000	1×	1×		
	3	010 409.002			1×	
	3	011 148.003			1×	1×
	3	440 662				1×
V-belt agitator shaft	4	003 382.000	2×	2×	2×	2×

Air armature P 13 EMR / DMR

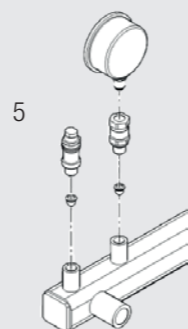
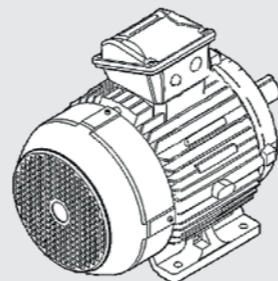
Strainer filter for line	5	002 238.003	2×	2×	2×	2×	2×	2×
--------------------------	---	-------------	----	----	----	----	----	----



DMR – Diesel



EMR – Electro



Wear parts

Overpressure relief valve material – 40 bar (Art. No. 490 664)

	Fig.	Art. No.
Valve ball VG 50 rubber	1	013 153.009

Mixer above (Art. No. 210 482.007) = bearing flange open (Art. No. 205 926.002)

	Fig.	Art. No.
Rubber disc (2×)	2	210 304.004
Socket (2×)	3	205 220.009

Hopper below (Art. No. 210 485.004) = bearing flange open (Art. No. 205 926.002)

	Fig.	Art. No.
Rubber disc (2×)	2	210 304.004
Socket (2×)	3	205 220.009

Mixer discharge gate – mixer emptying (Art. No. 210 313.008)

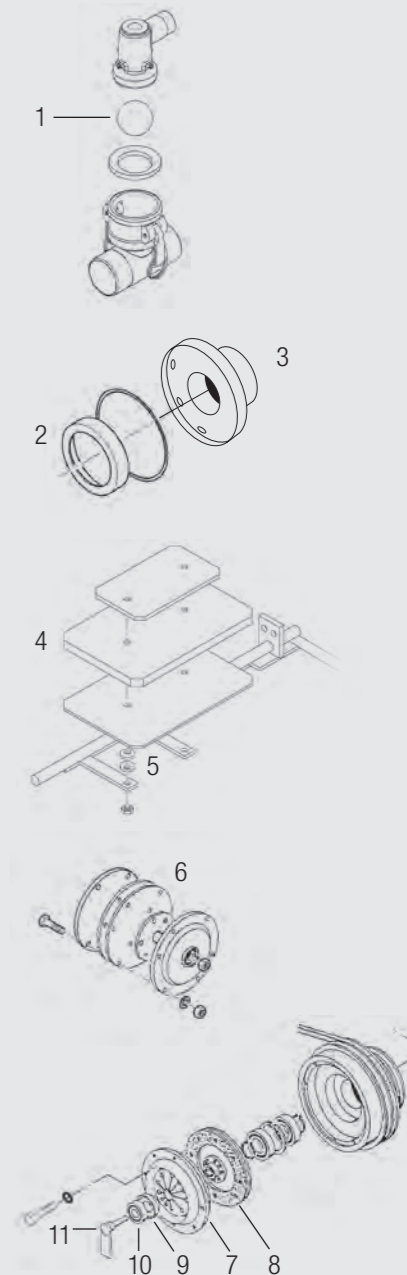
	Fig.	Art. No.
Rubber mat 15 × 350 × 200	4	201 574.005
Cup spring for mixer discharge gate (4×)	5	038 117.004

Membrane for clutch actuation (Art. No. 071 885.005)

	Fig.	Art. No.
Rubber membrane (rubber disc) (2×)	6	011 129.006

Coupling on the drive (Art. No. 072 524.006)

	Fig.	Art. No.
Pressure plate	7	063 284.009
Coupling disc	8	002 063.003
Release pressure ring	9	014 773.006
Deep groove ball bearing	10	011 165.002
Release pin complete	11	011 119.003



Service and Wear parts P 13 (continuation)

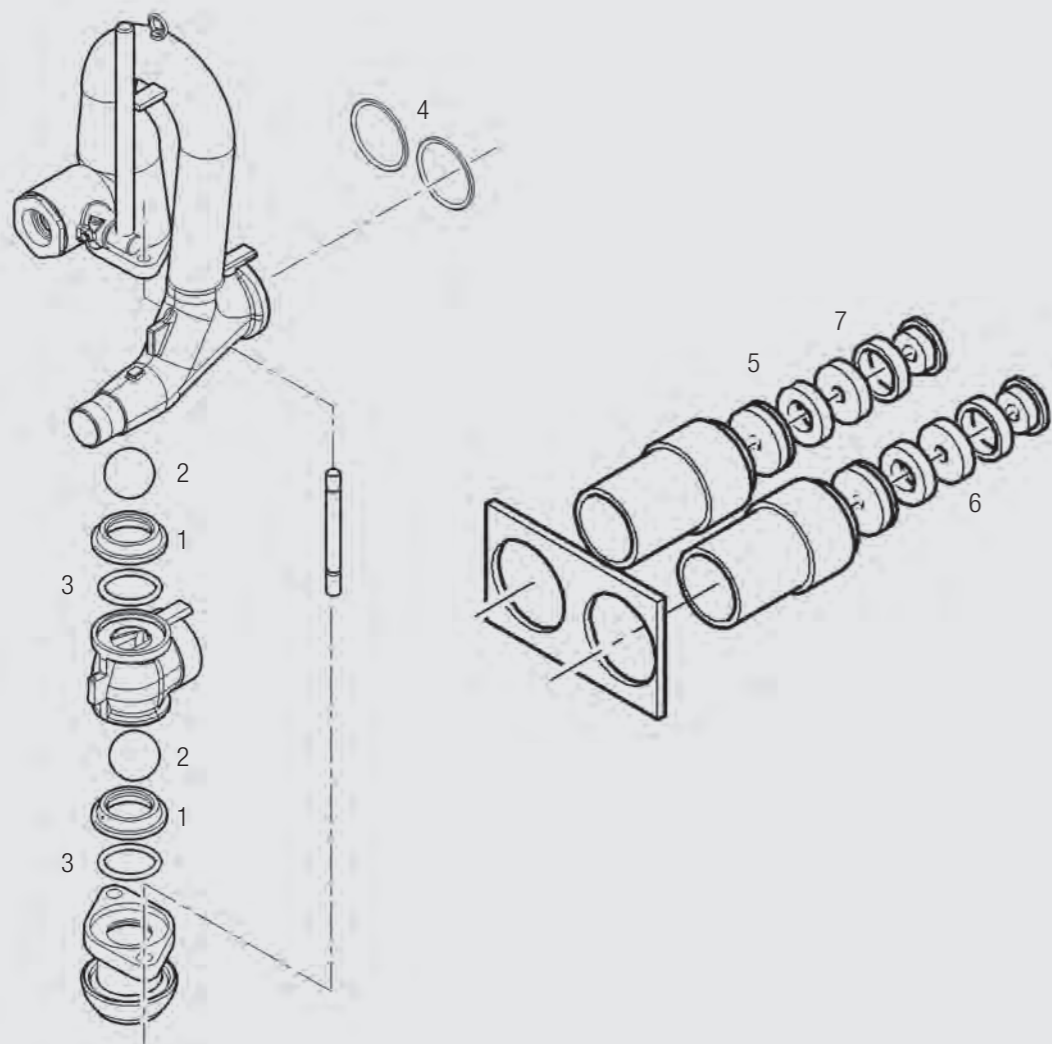
Pump KA 230 (Art. No. 508 927)

Standard valve seats

	Fig.	Art. No.
Valve seat, steel, 89 × 60 × 16, (2×)	1	530 095
Valve ball, steel, 70 V, (2×)	2	013 282.006

Alternative

	Fig.	Art. No.
Valve seat, steel, 89 × 40 × 16, (2×)	1	on request
Valve ball, rubber, with 45 steel core, (2×)	2	002 075.004
O-ring, valve seat (2×)	3	013 285.003
O-ring, delivery cylinder (2×)	4	013 157.005
Felt strips (2×)	5	013 158.004
Leather collar (2×)	6	013 276.009
Reducing ring (2×)	7	013 288.000



Wear parts Pump KA 139 (Art. No. 013 192.002)

Standard valve seats

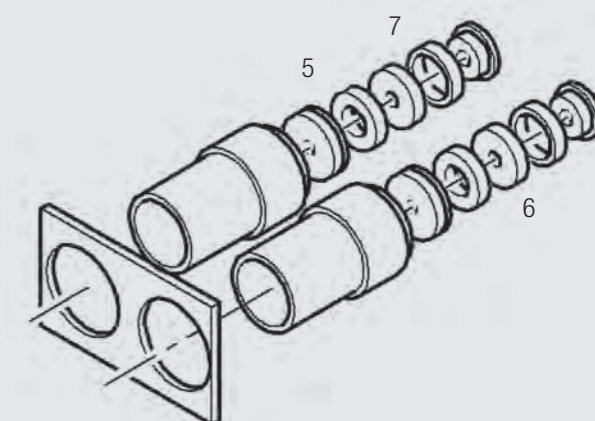
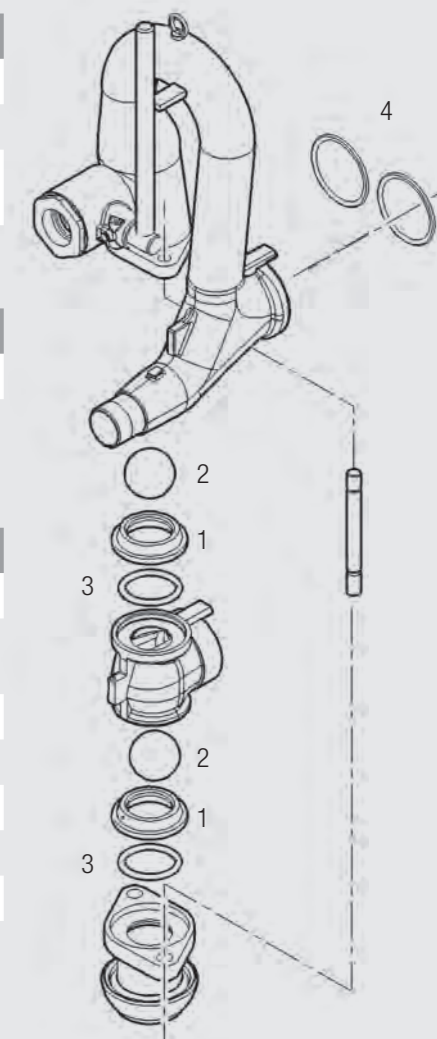
	Fig.	Art. No.
Valve seat, steel, 70 × 40 × 15, (2×)	1	495 543
Valve ball, rubber, with 60 steel NBR (2×)	2	207 760.004
or		
Valve ball, rubber, with 60 steel SBR (2×)	2	013 171.007

Alternative for rough material

	Fig.	Art. No.
Valve seat, steel, 70 × 40 × 15, (2×)	1	495 543
Valve ball, steel, 50 V III, (2×)	2	013 179.009

Alternativ für Dämmputz leichtes Material

	Fig.	Art. No.
Valve seat, steel, 70 × 40 × 24, (2×)	1	013 879.008
or		
Valve seat, plastic 80 × 44 × 22, (2×)	2	013 117.003
Valve ball, steel, 60 V, (2×)	2	042 477 002
O-ring (2×)	3	013 154.008
O-ring (2×)	4	013 157.005
Felt strips (2×)	5	013 158.004
Leather collar (2×)	6	203 287.002
Rubber expanding ring (2×)	7	013 145.004

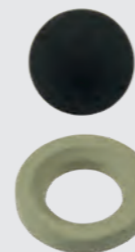


Fine mortar



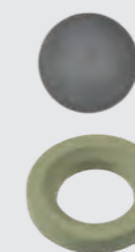
Steel ball
Plastic seat

Standard



Rubber ball
Steel seat

Rough mortar



Steel ball
Steel seat

Service and Wear parts MP 25

Service and maintenance parts

Compressor 200 l/min. 400 V 50 Hz (Art. No. 487 420)

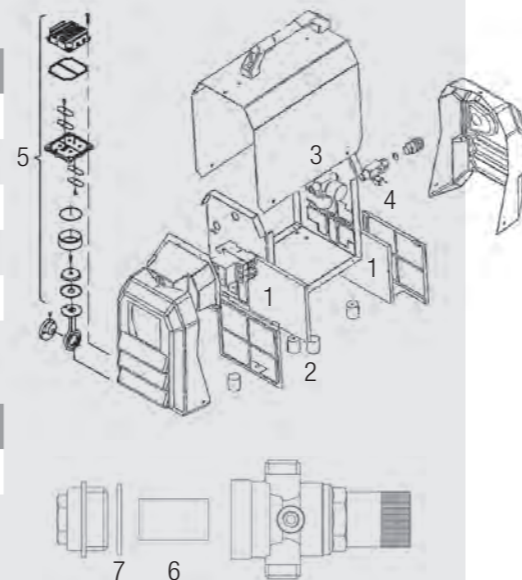
	Fig.	Art. No.
Filter mat (2x)	1	212 387.003
Set of rubber buffers incl. screws	2	214 372.003
Suction filter (2x)	3	212 386.004
Safety pressure relief valve	4	214 722.006
Repair kit	5	214 371.004

Pressure reducer/water armature

	Fig.	Art. No.
Sieve with ring	6	062 460.002
O-ring for sieve cup	7	041 095.003

Water armature and water pump (Art. No. 420 147)

	Fig.	Art. No.
Sieve – conical shape (2x)		014 067.000
Gasket set pump		487 944
Gasket set pump housing		542 401



Wear parts

Drive motor 5,5 kW 230/400 N=385 (Art. No. 431 568), Fig. 8

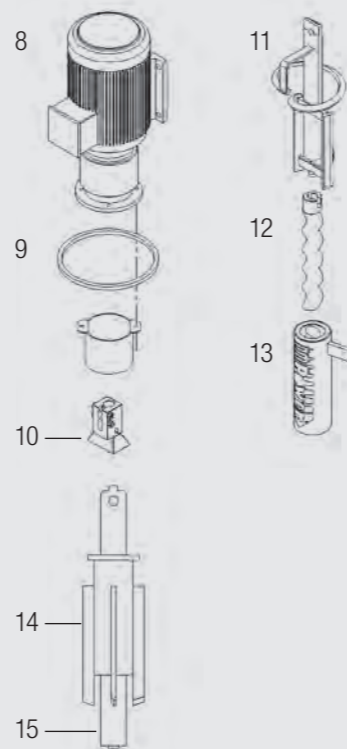
	Fig.	Art. No.
Mercury limit switch	in 8	453 288
W.D. ring drive	in 8	470 884
Sponge rubber profile for motor flange, 1 m	9	403 407
Coupling clamp for worm	10	209 069.004

Mixer pump (Art. No. 435 786)

	Fig.	Art. No.
Mixing shaft Universal-Standard	11	211 773.003
Mixing shaft cementitious adhesive	11	214 571.008
Mixing shaft insulation plaster	11	212 262.005
Worm conveyor, D6 red	12	443 740
Stator, D6 Power	13	206 345.006

Cleaner D 120 X 460 comp. (Art. No. 212 132.009)

	Fig.	Art. No.
Cleaner MP D 120	14	415 535
Cleaner shaft 460 MM	15	211 852.005



Wear parts

Pressure flange M 35-D6 comp. (Art. No. 488 287)

	Fig.	Art. No.
Pressure flange ID 35 with tie rod	1	488 286
PM coupling M 35 for D. flange	2	211 599.009
PM reducer V 35-V 25/40	3	207 795.008
Pressure gauge protective cap	4	001 243.002
Pressure gauge 60 bar	5	404 741
Reducing nipple for pressure gauge	6	208 086.004
Support ring for pressure gauge	7	208 064.000
Rubber disc for pressure gauge	8	208 063.001

Air armature (Art. No. 607 607)

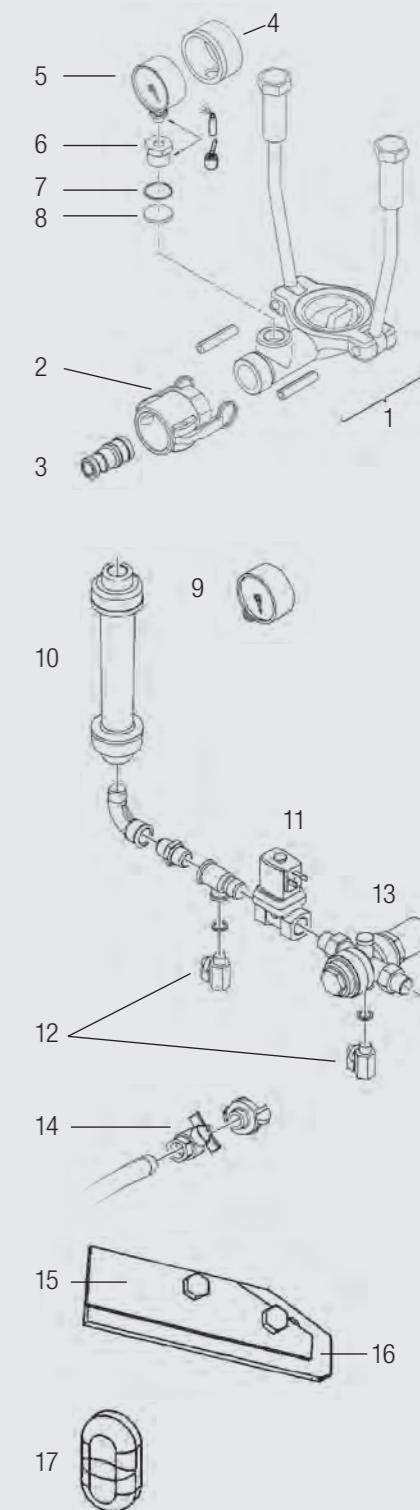
	Fig.	Art. No.
Pressure gauge 6 bar	9	002 244.000

Water armature (Art. No. 483 547)

	Fig.	Art. No.
Measuring tube 300–1100 L	10	208 206.004
2/2 way water control valve	11	479 422
Ball cock DN 6 for water discharge (2x)	12	206 753.009
Pressure reducer	13	014 064.003
Pressure gauge 10 bar	9	001 239.003
Ball cock D15 Geka connection	14	207 792.001
Clamping plate for scraper (2x)	15	207 552.007
Scraper for impeller (2x)	16	207 551.006
Locking pin for mixing container		208 430.003
Safety rope for pin		408 699

Control cabinet (Art. No. 607 759)

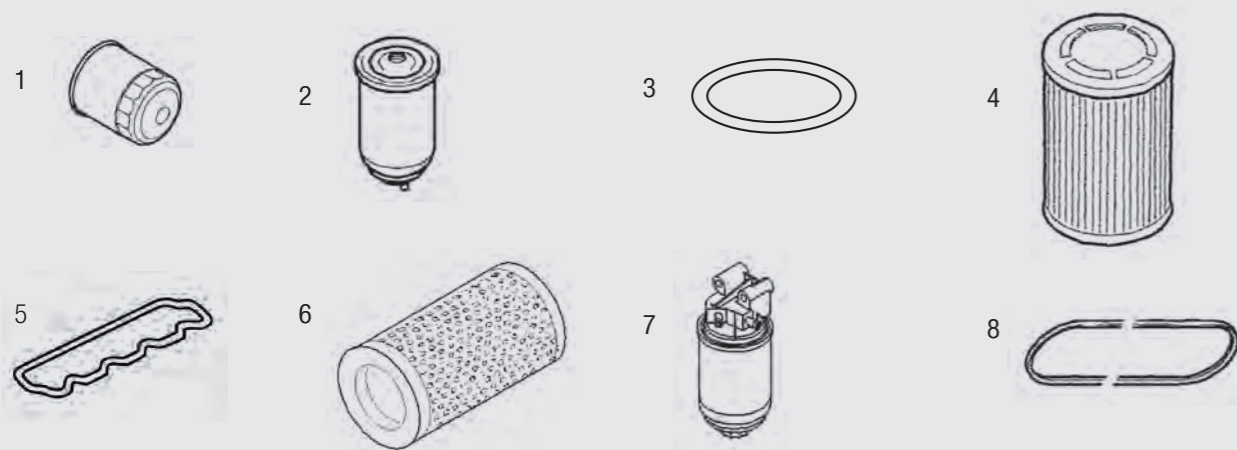
	Fig.	Art. No.
Fine wire fuse 2.5 A T 250 V (2x)		254 398.005
Fine wire fuse 0.8 AM 500 V (4x)		423 299
Protective cap for double pushbutton	17	460 028



Service and Wear parts FHS

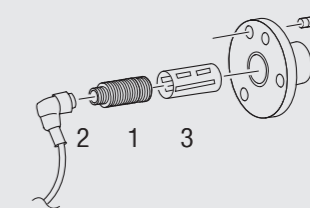
Service and maintenance parts

	Art. No.				
Maintenance package "1000 h"	H87 2040 9110				
Maintenance package "500 h"	H87 2040 9105				
Maintenance package "50 h"	H87 2040 9100				
Contents of maintenance package					
	Fig.	Art. No.	50 h	500 h	1000 h
Oil filter motor short	1	H20 0118 0815	1×	1×	1×
Fuel filter motor	2	H20 0117 4696	1×	1×	1×
Seal ring A18 x24	3	037 548.001	1×	1×	1×
Air filter element	4	213 616.003	-	1×	1×
Valve cover gasket	5	461 877	1×	-	1×
Air filter cartridge	6	H20 0118 0869	-	-	1×
Oil filter/cartridge	7	H35 0222 5351	-	-	1×
Toothed belt	8	H41 1611 1200	-	-	1×
Fuel hose for return, 1.5 m		H20 0601 5010	-	-	1×
Connection for overflow line		H20 0117 9240	-	-	1×
Crosspiece for fuel line		H20 0118 0149	-	-	1×



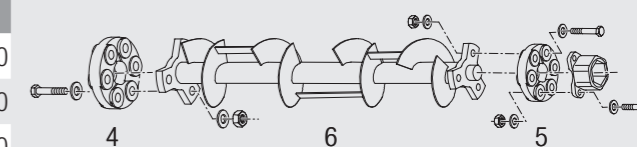
Wear parts

	Fig.	Art. No.
Proximity switch without cable for grid	1	H31 7711 0308
Cable for proximity switch	2	H31 7711 0309
Clamping sleeve	3	H31 7711 0315



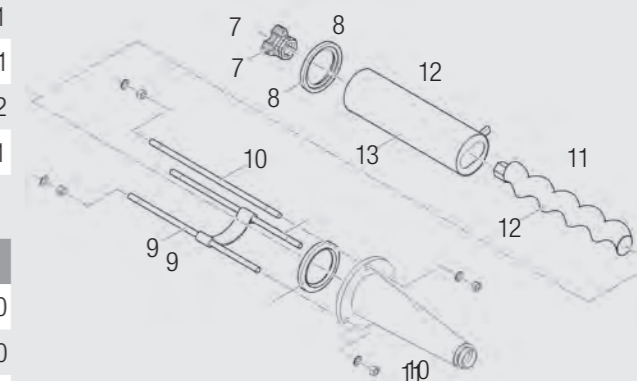
Drive worm pump

	Fig.	Art. No.
Cardan disc, large	4	H30 9100 0290
Cardan disc, small	5	H30 9100 0800
Paddle screw	6	H18 6003 0900



Worm pump 2L8

	Fig.	Art. No.
Coupling, hexagonal	7	H18 0600 3250
Mounting aid 2L8	9	H18 6203 3601
Bolt 720 mm (3x)	10	H18 6403 1700
Discharge cone Ø 191	10	H18 6203 3801
Worm rotor 2L8, hexagonal	11	H70 0050 8021
Stator maintenance-free	12	H70 0050 8312
Alternative: Stator with clamping strip	12	H70 0050 8311



Worm pump 7515

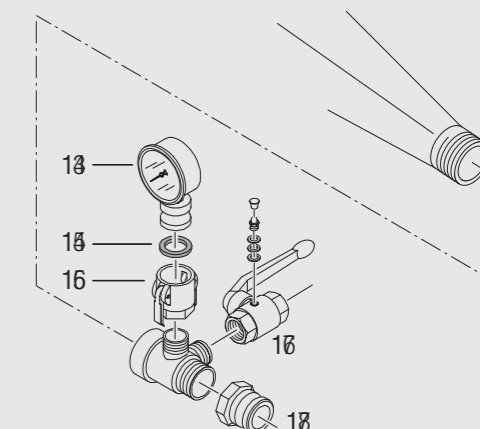
	Fig.	Art. No.
Adapter flange 7515	8	H18 0360 3420
Coupling, hexagonal	7	H18 0600 3250
Mounting aid 7515	9	H18 6203 3600
Bolt 610 mm (3x)	10	H18 6003 1700
Discharge cone, Ø 160	10	H18 6203 3800
Worm rotor 7515, hexagonal	11	433 023
Stator maintenance-free	12	525 052
Alternative: Stator with clamping strip	12	H70 0075 1403

Conversion kit worm pump

	Fig.	Art. No.
from 2L8 to 7515 (1 kit)		H85 5000 0002
from 7515 to 2L8 (1 kit)		H85 5000 0008

Adapter with pressure gauge

	Fig.	Art. No.
Pressure gauge 0–40 bar	13	594 346
Seal ring	14	213 725.004
Coupling MT 35 IG 1 1/4"	15	H70 3535 1111
Ball cock complete	16	H18 0040 3200
Coupling VT 50 IG 2"	17	205 273.001



Service and Wear parts S 5 EV/TM

Service and maintenance parts

Electric drive

	Art. No.
V-belt electric drive	204 399.009

Hopper seal

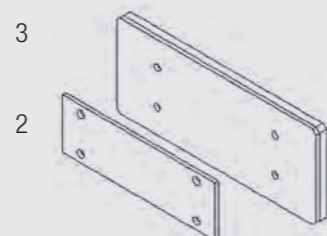
	Fig.	Art. No.
Rubber disc hopper seal (2×)	1	084 013.000



Wear parts

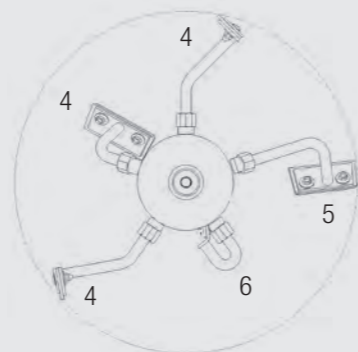
Pan mixer TM – discharge gate

	Fig.	Art. No.
Rubber plate, small	2	207 280.005
Rubber plate, large	3	206 821.009



Pan mixer TM – mixing drum

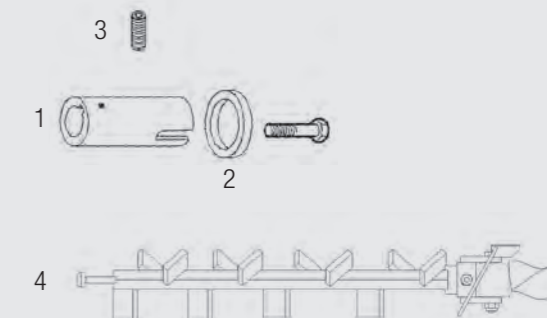
	Fig.	Art. No.
Holder for scraper 1 (3×)	4	207 029.004
Scraper 1 (3×)	4	207 021.002
Holder for scraper 2	5	207 030.006
Scraper 2	5	207 022.001
Holder for scraper 3	6	207 031.005
Scraper 3	6	207 023.000



Wear parts

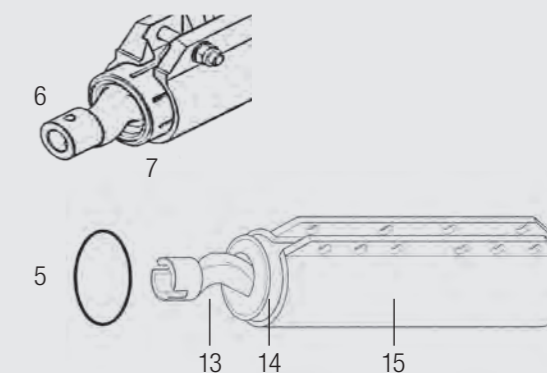
Cardan shaft worm pump screwed (old version until approx. 2011)

	Fig.	Art. No.
Hollow output shaft	1	201 960.004
Adjusting ring	2	204 885.005
Threaded pin	3	043 012.000
Cardan shaft	4	207 268.001
O-ring	5	017 276.005
Rotor, 2L6 with bore	6	201 111.002
Stator, 2L6 eightfold slotted	7	211 355.007
Clamping jacket including screws	8	010 433.007



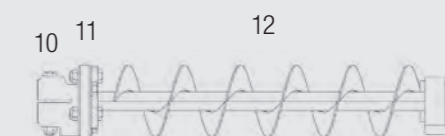
Cardan shaft worm pump interlocked (current version)

	Fig.	Art. No.
Hollow output shaft	9	204 980.007
Cardan flange	10	205 085.008
Cardan disc	11	010 103.007
Cardan shaft	12	482 026
O-ring	5	017 276.005
Rotor, 2L6 with slot	13	211 814.001
Stator, 2L6 eightfold slotted	14	211 355.007
Clamping jacket including screws	15	010 433.007



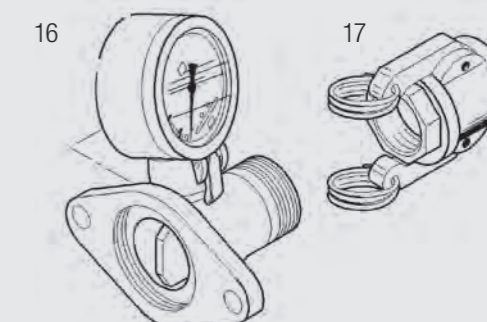
Conversion 2L6 to 2L54 – up to 10 mm grain size

	Fig.	Art. No.
Rotor, 2L54 with slot	13	211 739.005
Stator, tension clamp integrated	15	523 235
Cardan shaft (spiral)	13	455 703



Pressure flange (Art. No. 424 263)

	Fig.	Art. No.
Pressure gauge 0–40 bar	16	420 989
Coupling MT 50 IG 2"	17	211 600.008



Service Parts EstrichBoy DC 450 and DC 550

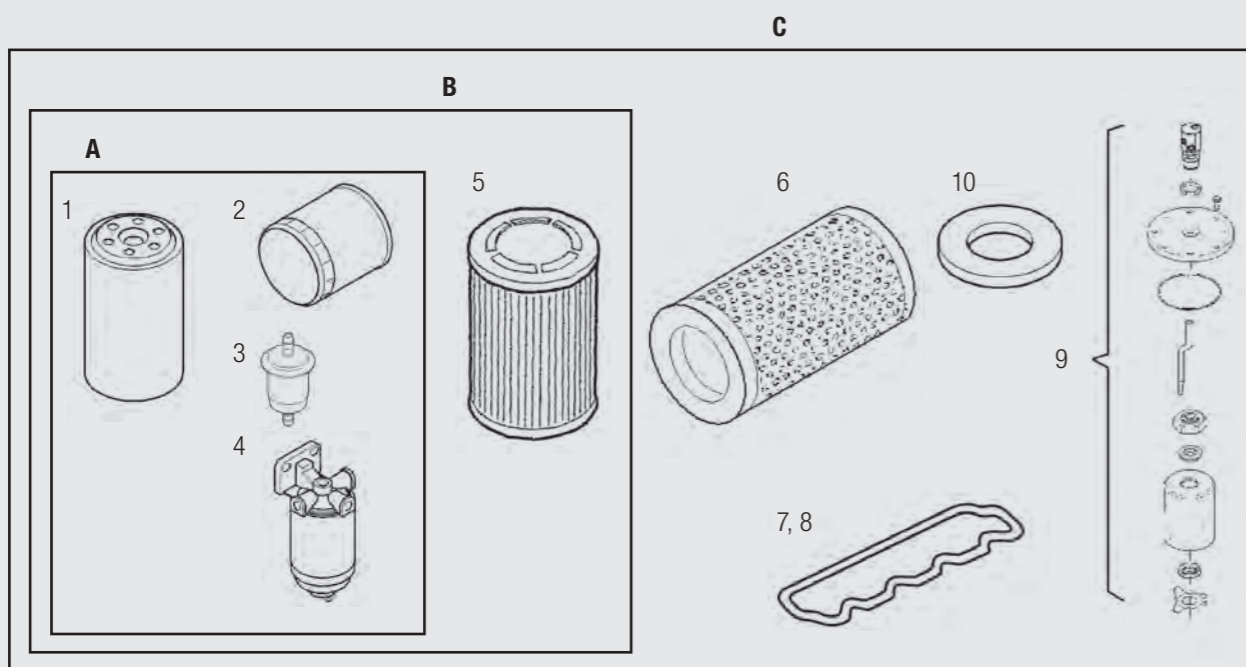
Maintenance package

DC 450	Fig.	Art. No.
Maintenance package "100 h"	A	580 492
Maintenance package "500 h"	B	H87 1031 9100
Maintenance package "1 000 h"	C	H87 1031 9101

DC 550	Fig.	Art. No.
Maintenance package "100 h"	A	580 492
Maintenance package "500 h"	B	H87 1031 9100
Maintenance package "1 000 h"	C	H87 1031 9102

Contents of maintenance package

	Fig.	Art. No.	C			B			A		
			1 000 h	500 h	100 h	1 000 h	500 h	100 h	1 000 h	500 h	100 h
Oil filter/Compressor	1	493 985	1x	1x	1x	1x	1x	1x	1x	1x	1x
Oil filter/Motor	2	214 311.006	1x	1x	1x	1x	1x	1x	1x	1x	1x
Fuel line filter	3	478 929	1x	1x	1x	1x	1x	1x	1x	1x	1x
Fuel filter with water separation cartridge	4	208 777.009	1x	1x	1x	1x	1x	1x	1x	1x	1x
Air filter element	5	502 360	1x	1x	-	1x	1x	-	1x	1x	-
Safety cartridge air filter	6	H21 2914 9311	1x	-	-	1x	-	-	1x	-	-
Valve cover gasket	7	461 877	-	-	-	1x	-	-	1x	-	-
Valve cover gasket	8	502 517	1x	-	-	-	-	-	-	-	-
Service kit oil separator	9	493 943	1x	-	-	1x	-	-	1x	-	-
Seal washer	10	H21 0661 1026	1x	-	-	1x	-	-	1x	-	-



Filters

Fine separators/air/oil separators

Application	Fig.					Art. No.
450	260/45	260/43	550	260/55		
1x	1x	-	1x	1x	1 Service-Kit	493 943
-	-	1x	-	-	Air/oil separator element	H21 1202 8722

Oil filter/spin-on filter compressor

Application	Fig.					Art. No.
450	260/45	260/43	550	260/55		
1x	1x	1x	1x	1x	2	493 985

Fuel filter

Application	Fig.					Art. No.
450	260/45	260/43	550	260/55		
1x	1x	-	1x	1x	3	208 777.009
-	-	1x	-	-	3	H20 0117 4696

Fuel line filter

Application	Fig.					Art. No.
450	260/45	260/43	550	260/55		
1x	-	-	1x	-	4	478 929
-	1x	1x	-	1x	4	H21 9712 0104

Filling sieve fuel tank

Application	Fig.					Art. No.
450	260/45	260/43	550	260/55		
1x	1x	-	1x	1x	5	402 254
-	-	1x	-	-	5	H21 1619 6590

Oil filter motor

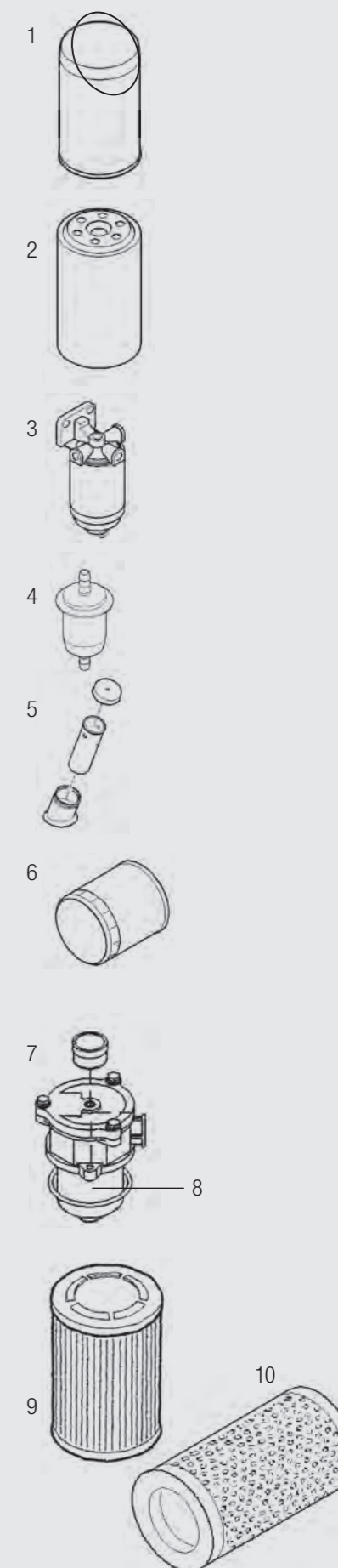
Application	Fig.					Art. No.
450	260/45	260/43	550	260/55		
1x	1x	1x	1x	1x	6	214 311.006

Hydraulic return flow filter for skip/scrapper B and BS versions

Application	Fig.					Art. No.
450	260/45	260/43	550	260/55		
1x	1x	-	1x	1x	7 complete	H38 8043 0500
1x	1x	-	1x	1x	8 Filter element	H38 8003 0508
-	-	1x	-	-	7 complete	H32 0542 9022

Air filter element/Air filter cartridge

Application	Fig.					Art. No.
450	260/45	260/43	550	260/55		
1x	1x	-	1x	1x	9 Filter element	502 360
1x	1x	-	1x	1x	10 Cartridge	H21 2914 9311
-	-	1x	-	-	9 Filter element	H21 1613 7408
-	-	1x	-	-	10 Cartridge	H21 2914 9309



Service Parts EstrichBoy DC 450 and 550 (cont.)

other service parts

V-belt for generator

Application	Fig.					Art. No.
450	260/45	260/43	550	260/55		
1x	-	-	1x	-	1	493 987
-	1x	1x	-	1x	1	H41 1611 1200

V-belt mixer shaft

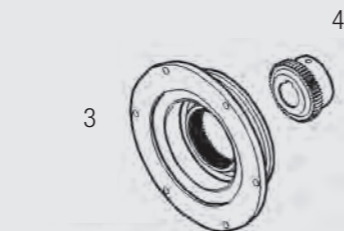
Application	Fig.					Art. No.
450	260/45	260/43	550	260/55		
-	-	-	-	-	2 to 05/2014	H41 4614 1250
1x	-	-	1x	-	2 reinforced	594 480
-	1x	-	-	1x	2	H41 4614 2200
-	-	1x	-	-	2	H41 4614 5000

Direct drive via gear wheel

Application	Fig.					Art. No.
450	260/45	260/43	550	260/55		
1x	1x	-	1x	1x	3	493 889
1x	1x	-	1x	1x	4	493 891
		1x			5	H21 1202 8713

Valve cover gasket

Application	Fig.					Art. No.
450	260/45	260/43	550	260/55		
1x	1x	1x	-	-	6	461 877
-	-	-	1x	-	6	502 517



Wear parts

Wear plate set for standard chamber (Art. No. 524 537)

	Fig.	Art. No.		
Wear plate with hole	1	429 862		
Wear plate front/back (2x)	1	429 864		
Wear plate lengthwise (2x)	1	429 865		
Mounting kit set of 10 (included in wear plate kit Art. No. 524 537)				

Mixer blade kit

Outflow FRONT right (Art. No. H 8101 0000)

Outflow CENTRE right (Art. No. H 8101 0010)

	Fig.	Art. No.		
Mixer blade B1	2	H72 1000 1000	2x	1x
Mixer blade B3	2	H72 1000 3000	2x	3x
Clamp B 01	2	H72 0000 1000	4x	4x
Clamp BK 54	2	H72 0000 5400	4x	4x
Mounting kit (4 pieces)	2	544 328	1x	1x

Mixing shaft Vkt. 65 x 1359

	Fig.	Art. No.
	3	576 602

Lid gasket for mixing containers

	Fig.	Art. No.
	4	408 078

Protective grating and seals for mixing containers

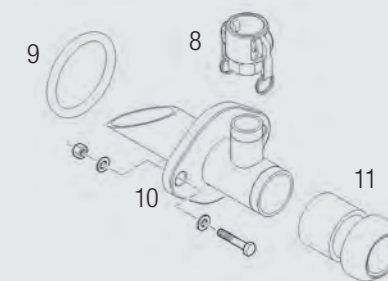
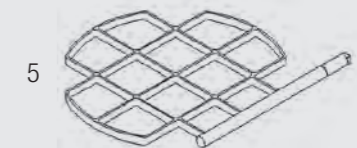
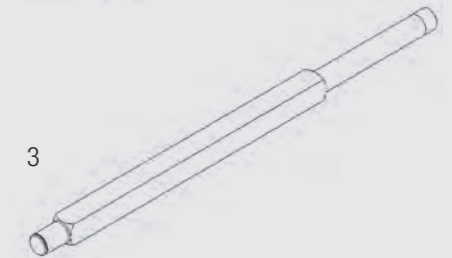
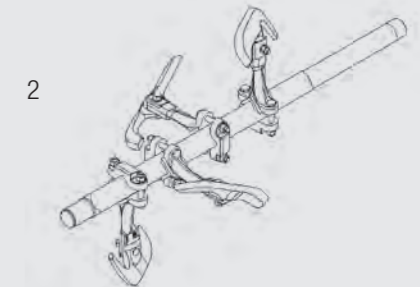
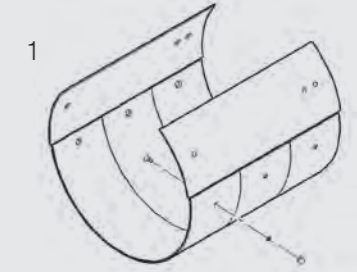
	Fig.	Art. No.
	5	467 189

Hopper – galvanised

	Fig.	Art. No.
A1 crosswise	6	580 235
A2 lengthwise	7	580 237
for B and BS versions	7	579 732

Outflow mixing chamber ID65/KKV70 complete incl. mounting kit (Art. No. 489 819)

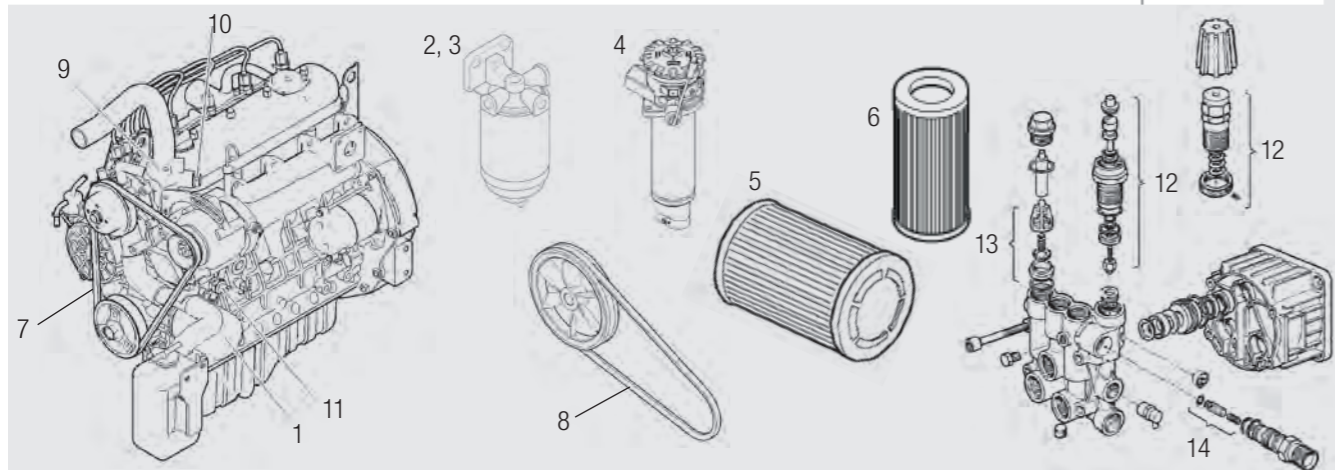
	Fig.	Art. No.
PM coupling M 35	8	211 599.009
O-ring 112.0 x 14.0	9	002 224.004
Wear support ID 65	10	493 599
Coupling piece KKV 70	11	015 197.005



Service and Wear parts SP 11

Service and Maintenance Parts

Maintenance packages SP 11 LMR / TMR / THF		Art. No.				old versions SP 11		
Service package "50 h" (once-only)		658 758				Beliso	DMB	
Service package "200 h"		658 759				BMR	DMR	
Service package "400 h"		658 761				BMT	DMT	
						BMB	DQR	
						BUR	DHF	
						BHF		
Content maintenance packages								
	Fig.	Art. No.	400 h	200 h	50 h			
Oil filter motor	1	208 989.004	1x	1x	1x	1x	1x	
Fuel filter	2	208 777.009	1x			1x	1x	
Fuel pre-filter	3	211 233.006	1x			1x	1x	
Hydraulic spin-on filter	4	453 109	1x	1x	1x	1x		
Air filter	5	455 656	1x			1x		
Air filter cartridge	6	455 658	1x			1x		
V-belt generator	7	456 217	1x			1x		
Additional service and maintenance parts						LMR	TMR	THF
Air filter	5	211 838.003						1x
Air filter cartridge	6	068 550.000						1x
Hydraulic spin-on filter	4	203 598.005						1x
V-belt fan	7	456 218						1x
V-belt compressor	FINI	8	011 148.003	1x	1x	1x		
V-belt compressor	ABAG	8	010 110.003	1x	1x	1x		
V-belt compressor	FINI	8	440 662					1x
V-belt compressor	Chinook	8	214 748.006					1x
V-belt	7	041 115.006						1x
Thermostat	9	436 682	1x	1x	1x	1x	1x	
Temperature sensor	10	209 443.002	1x	1x	1x	1x	1x	
Oil pressure switch	11	209 049.009	1x	1x	1x	1x	1x	
for high pressure water pump (Art. No. 578 458)								
Valve 180 bar für HDR	12	423 985	1x	1x	1x	1x	1x	
Valve set HDR	13	423 984	1x	1x	1x	1x	1x	
Valve set inlet	14	426 644	1x	1x	1x	1x	1x	



Wear parts

Cardan shaft with pump type 2L6 – interlocking version

	Fig.	Art. No.
Cardan shaft D140 × 632	1	437 419
Cardan flange	2	206 515.001
Cardan disc	3	206 516.000

Cardan shaft for pump type 2L75 – interlocking version

	Fig.	Art. No.
Cardan shaft D125 × 632	4	521 902
Cardan flange	2	206 515.001
Cardan disc	3	206 516.000

Cardan shaft for pump type 2L75 – screwed version

	Fig.	Art. No.
Cardan shaft D125 × 596	5	605 714
Cardan flange	2	206 515.001
Cardan disc	3	206 516.000
Cardan joint reinforced	6	206 520.009

Worm pump 2L6 cpl. – interlocking version for pump type 2L6

	Fig.	Art. No.
Worm conveyor 2L6 with slot	7	211 814.001
Stator 2L6 YELLOW	8	211 355.007
Clamping jacket 2L6 cpl.	9	010 433.007

Worm pump 2L75 – interlocking version for pump type 2L75

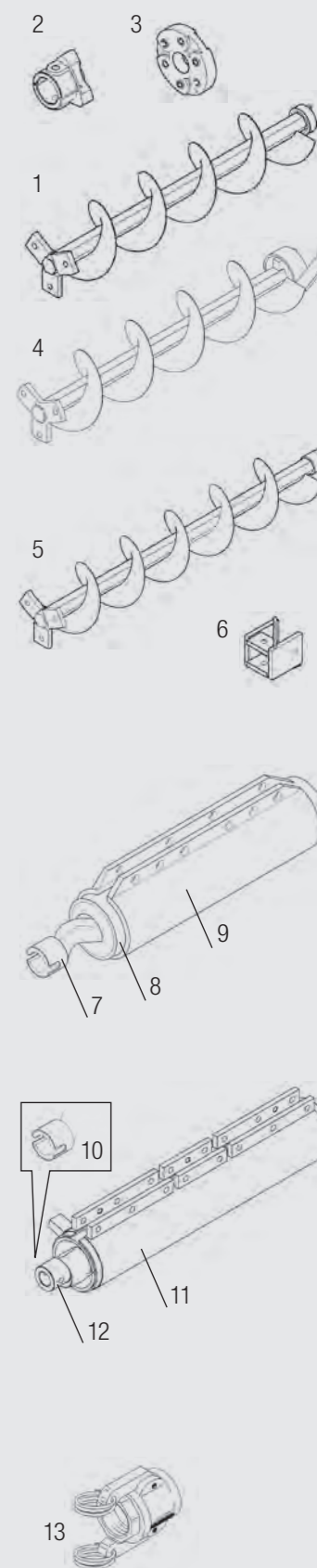
	Fig.	Art. No.
Worm conveyor 2L75 with slot	10	500 516
Stator 2L75 Grey clamping jacket integrated	11	487 262

Worm pump 2L75 – screwed version for pump type 2L75

	Fig.	Art. No.
Worm conveyor 2L75 with bore	12	487 261
Stator 2L75 Grey clamping jacket integrated	11	487 262

Outflow hose coupling

	Fig.	Art. No.
PM coupling M50 – 2" inside thread cpl.	13	211 600.008



Service and Wear parts SP 11 (continuation)

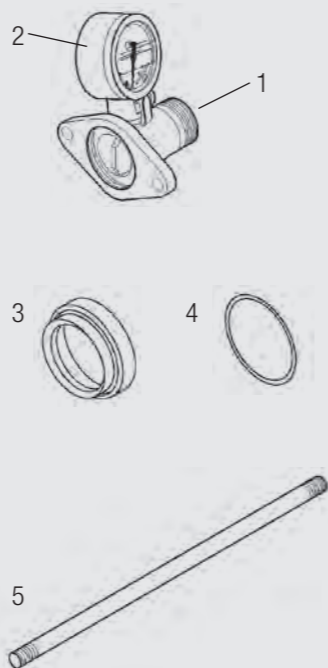
Wear parts

Pressure connection for 2L6 cpl. (Art. No. 212 711.006) for pump type 2L6

	Fig.	Art. No.
Pressure connection with coupling D50 L6-L7	1	424 263
Pressure gauge 0–40 bar D= 60 cpl.	2	420 989
Spacer ring L6-L88	3	208 673.006
O-ring	4	017 276.005
Tie rod M20 L = 580	5	010 266.009

Pressure connection for 2L75 cpl. (Art. No. 212 832.008) for pump type 2L75

	Fig.	Art. No.
Pressure connection with coupling D50 L6-L7	1	424 263
Pressure gauge 0–40 bar D= 60 cpl.	2	420 989
Tie rod M20 L = 700	5	202 382.005



Useful

Conversion of inches to millimetres

Inch Fractional value	Inch Decimal value	mm metric
1/64"	0.016"	0.397 mm
1/32"	0.031"	0.794 mm
1/16"	0.063"	1.587 mm
1/8"	0.125"	3.175 mm
1/4"	0.250"	6.350 mm
3/8"	0.375"	9.525 mm
1/2"	0.500"	12.700 mm
5/8"	0.625"	15.875 mm
3/4"	0.750"	19.050 mm
7/8"	0.875"	22.225 mm
1"	1"	25.400 mm
1 1/4"	1.250"	31.750 mm
1 1/2"	1.500"	38.100 mm
1 3/4"	1.750"	44.450 mm
2"	2"	50.800 mm
2 1/4"	2.250"	57.150 mm
2 1/2"	2.500"	63.500 mm
2 3/4"	2.750"	69.850 mm
3"	3"	76.200 mm
3 1/4"	3.250"	82.550 mm
3 1/2"	3.500"	88.900 mm
3 3/4"	3.750"	95.250 mm
4"	4"	101.60 mm
4 1/4"	4.250"	107.95 mm
4 1/2"	4.500"	114.30 mm
4 3/4"	4.750"	120.65 mm
5"	5"	127.00 mm
5 1/2"	5.500"	139.70 mm
6"	6"	152.40 mm
7"	7"	177.80 mm
8"	8"	203.20 mm
9"	9"	228.60 mm
10"	10"	254.00 mm

Conversion of volumetric flow rate

l/min	m ³ /h	cfm*
100		3.5314
2.825	170	100
	1.699	1

* cubic foot per minute

Index

A	
Adapter	60, 79
Adapter coupling	34
Adapter flange	79
Adapter kit	40
Adapters	29
Adjusting ring	81
Air armature	72, 77
Air filter	66, 86
Air filter cartridge	68, 78, 83, 86
Air filter element	66, 68, 70, 78, 82, 83
Air hole	47
Air hose	50, 56
Air test pressure gauge	57
Air/oil separator element	66, 67, 83
Aluminium cartridge	52
Aluminium H cartridge	52
Aluminium plasterer's plane	54
Aluminium trapezoidal cartridge	52
Application nozzle	48
Auxiliary water pump	51
Cleaning port	37
Collar nut	51
Compressor	50, 66, 76, 82
Concrete hose	26, 27
Concrete spray gun	55
Concrete spray nozzle	55
Connection adapter	41
Connection kit	40
Control block	42
Control cabinet	77
Conversion kit worm pump	79, 81
Corner spatula	54
Coupling	20, 21, 22, 23, 32, 34, 50, 51, 34, 73, 77, 79
Coupling clamp	76
Coupling disc	73
Coupling guard	60
Coupling piece	69, 85
Crevice and frame filling device	49
Crevice device	49
Cross shaped mixing paddle	51
Crosspiece	78
Cup spring	73
Dapling bar	43
Deep groove ball bearing	73
Delivery cylinder	74
Delivery hose	24, 25, 26, 27
Delivery lines	20
Delivery pipe	28, 29
Delivery pipe elbow	28
Delivery piston	71
Detergent	58
Diesel motor	70
Direct drive	84
Dirt trap suction line	70
Discharge	8
Discharge cone	79
Discharge pot	41
Discharge stand	40, 41
Dowel pin	35
Drainage ring	71
Drive	79, 80
Dungarees	44
Duro	71
E-remote control	49
E-remote control cable	49
Elbow	50
Electric drive	80
End hose	26, 27
EstrichBoy	82
EWO coupling	56
Expanding collar	49

B	
Ball cock	77, 79
Booster pump	51
Bracket (bracket for fastening grip)	42
Bricklayer's trowel	54
Buttons (knee pads)	45

C	
Cable	61, 79
Cable drum	61
Cam lever	20, 21, 22, 23, 35
Cap nut	6, 7
Capacitor	42
Cardan coupling	24, 25, 31
Cardan disc	79, 81
Cardan flange	81, 87
Cardan joint	87
Cardan shaft	81, 87
Care product	58
Cartridge	52
Catching basket	37
Ceiling saw/plasterer's saw	53
Chock	60
Clamp	10, 85
Clamping jacket	81, 87
Clamping plate	77
Clamping sleeve	79
Cleaner	76
Cleaner shaft	76
Cleaning accessories	37
Cleaning brush	58
Cleaning cover	29

D	
Dapling bar	43
Deep groove ball bearing	73
Delivery cylinder	74
Delivery hose	24, 25, 26, 27
Delivery lines	20
Delivery pipe	28, 29
Delivery pipe elbow	28
Delivery piston	71
Detergent	58
Diesel motor	70
Direct drive	84
Dirt trap suction line	70
Discharge	8
Discharge cone	79
Discharge pot	41
Discharge stand	40, 41
Dowel pin	35
Drainage ring	71
Drive	79, 80
Dungarees	44
Duro	71
E-remote control	49
E-remote control cable	49
Elbow	50
Electric drive	80
End hose	26, 27
EstrichBoy	82
EWO coupling	56
Expanding collar	49

Extension cable	61
Female part	31, 32, 33, 34
FHS	76
Filler neck	67, 70
Filling pump	58
Filling sieve	67
Filter	67, 68, 70, 83
Filter cartridge	72
Filter element	67, 68, 70, 72, 83
Filter mat	76
Filter sieve	67
Filter strips	74, 75, 89
Fine plaster spray gun	46
Fine separator	67, 83
Fine wire fuse	77
Finishing spatula	53
Flat head screw	6
Float	53
Floating screed pump	16
Flow pressure gauge	51
Frame filling device	49
Frame filling hose	49
Frequency measuring device	59
Front wear plate	7
Fuel filter	66, 67, 70, 72, 78, 82, 83, 86
Fuel hose	78
Fuel line filter	66, 67, 82, 83
Fuel prefilter	86
Gasket set	76
Gate valve	30
GEKA plus	35
GEKA quick release coupler	34
Gloves	58
Glue gun	49
Grease	58
Grease cartridge	58
Grease gun	58
Ground plaster spray gun	47
Guide ring	71
Hand brush	58
Hand lever grease gun	58
HANDY (compressor)	50
Harmonica	45
Helix cable	42
Helmet	59
Hexagonal nut	24
High pressure water pump	86
High-pressure concrete spray gun	55

F	
Highly wear-resistant plastic wear plates	6
Highly wear-resistant wear plates	6, 8
Holder	60, 80
Holder (hopper gun)	50
Hopper	10, 11, 69, 85
Hopper gun	50
Hopper seal	80
Hose/screw-in nozzle	33
Hose connectors	37
HR Cardan coupling	31
Hydraulic filter	70
Hydraulic oil tank	70
Hydraulic return flow filter	67
Hydraulic spin-on filter	86
Injection branch	33
Injection lance	49
Joystick control holder	42
Knee pads	45
Leather collar	74, 75
Lengthwise plate	8
Lever coupler	26, 27
Licence plate bracket	60
Lid gasket (mixer drum)	11, 85
Light set	60
Limit switch	76
Locking pin	77
M 740/760	66
Machine and working accessories	60
Maintenance kits	63
Male part	31, 32, 33, 34, 46, 55
Manual gate valve	3, 30
Marking gauge	44
Material nozzle	47
Measuring device	59
Measuring float	43
Measuring tube	77
Membrane	73
Mercury limit switch	76
Mesh scraper	54
Mixer	10
Mixer blade	10, 69, 85
Mixer discharge gate	73

G	
Hand brush	58
Hand lever grease gun	58
HANDY (compressor)	50
Harmonica	45
Helix cable	42
Helmet	59
Hexagonal nut	24
High pressure water pump	86
High-pressure concrete spray gun	55

I	
Injection branch	33
Injection lance	49
Joystick control holder	42
Knee pads	45
Leather collar	74, 75
Lengthwise plate	8
Lever coupler	26, 27
Licence plate bracket	60
Lid gasket (mixer drum)	11, 85
Light set	60
Limit switch	76
Locking pin	77
M 740/760	66
Machine and working accessories	60
Maintenance kits	63
Male part	31, 32, 33, 34, 46, 55
Manual gate valve	3, 30
Marking gauge	44
Material nozzle	47
Measuring device	59
Measuring float	43
Measuring tube	77
Membrane	73
Mercury limit switch	76
Mesh scraper	54
Mixer	10
Mixer blade	10, 69, 85
Mixer discharge gate	73

J	
Joystick control holder	42
Knee pads	45
Leather collar	74, 75
Lengthwise plate	8
Lever coupler	26, 27
Licence plate bracket	60
Lid gasket (mixer drum)	11, 85
Light set	60
Limit switch	76
Locking pin	77
M 740/760	66
Machine and working accessories	60
Maintenance kits	63
Male part	31, 32, 33, 34, 46, 55
Manual gate valve	3, 30
Marking gauge	44
Material nozzle	47
Measuring device	59
Measuring float	43
Measuring tube	77
Membrane	73
Mercury limit switch	76
Mesh scraper	54
Mixer	10
Mixer blade	10, 69, 85
Mixer discharge gate	73

K	
Joystick control holder	42
Knee pads	45
Leather collar	74, 75
Lengthwise plate	8
Lever coupler	26, 27
Licence plate bracket	60
Lid gasket (mixer drum)	11, 85
Light set	60
Limit switch	76
Locking pin	77
M 740/760	66
Machine and working accessories	60
Maintenance kits	63
Male part	31, 32, 33, 34, 46, 55
Manual gate valve	3, 30
Marking gauge	44
Material nozzle	47
Measuring device	59
Measuring float	43
Measuring tube	77
Membrane	73
Mercury limit switch	76
Mesh scraper	54
Mixer	10
Mixer blade	10, 69, 85
Mixer discharge gate	73

L	
Joystick control holder	42
Knee pads	45
Leather collar	74, 75
Lengthwise plate	8
Lever coupler	26, 27
Licence plate bracket	60
Lid gasket (mixer drum)	11, 85
Light set	60
Limit switch	76
Locking pin	77
M 740/760	66
Machine and working accessories	60
Maintenance kits	63
Male part	31, 32, 33, 34, 46, 55
Manual gate valve	3, 30
Marking gauge	44
Material nozzle	47
Measuring device	59
Measuring float	43
Measuring tube	77
Membrane	73
Mercury limit switch	76
Mesh scraper	54
Mixer	10
Mixer blade	10, 69, 85
Mixer discharge gate	73

M	
Joystick control holder	42
Knee pads	45
Leather collar	74, 75
Lengthwise plate	8
Lever coupler	26, 27
Licence plate bracket	60
Lid gasket (mixer drum)	11, 85
Light set	60
Limit switch	76
Locking pin	77
M 740/760	66
Machine and working accessories	60
Maintenance kits	63
Male part	31, 32, 33, 34, 46, 55
Manual gate valve	3, 30
Marking gauge	44
Material nozzle	47
Measuring device	59
Measuring float	43
Measuring tube	77
Membrane	73
Mercury limit switch	76
Mesh scraper	54
Mixer	10
Mixer blade	10, 69, 85
Mixer discharge gate	73

Index

Mixer drum outlet	11
Mixer pump	12, 76
Mixing blade	9, 10, 69
Mixing blade holder	10, 69
Mixing shaft	69, 76, 85
Mortar application nozzle	46
Mortar hose	20, 21, 22, 23
Mortar nozzle	46
Motor oil filter cartridge	72
Mounting aid	79
Mounting aid spray	52, 12
Mounting kit	6, 7
Mounting plate	42
MP 25	76
Multi-purpose grease	58

N

Nozzle cleaner	52
Nozzle nominal size	49
Nozzles	46, 47, 48, 55

O

O-ring	69, 71, 74, 75, 76, 81, 85, 88
Oil filter	66
Operating capacitor	42
Outlet	10, 11, 69, 85, 87
Outlet mixer drum	11
Overshoes	45

P

P 13	72
P 715/718	70
Paddle screw	79
Pan mixer	80
Pipe clamp	30
Plasterer's plane	54
Plasterer's trowel	54
PM coupling	20, 32, 33, 51
Pneumatic conveyor	6
Power cable	61
Pressure connection	88
Pressure flange	77, 81
Pressure gauge	29, 57, 77, 79, 81, 88
Pressure gauge protective cap	77
Pressure monitor	57
Pressure plate	73
Pressure reducer	76
Pressure ring	71
Protection frame (smoothing machine)	42
Protective cap	57, 77
Protective grid (mixer drum)	11, 69
Pull measure case	44
Pumping aids	30, 55

Q

Quick release coupler	36
-----------------------	----

R

Reducer	29, 34
Reducer pipe	29
Reducing nipple	77
Reducing ring	74
Reducing sleeve	41
Reduction coupling	32
Release pin	73
Release pressure ring	73
Remote control	49
Remote control cable	49
Repair kit	76
Retaining pin	41
Rotating sleeve	41
Rotor	12, 13, 14, 15, 16, 17, 81
Rubber buffer	76
Rubber collar nozzle	46
Rubber disc	11, 73, 77, 80, 87
Rubber expanding ring	75
Rubber fine plaster nozzle	46
Rubber foot	41
Rubber grip	41
Rubber hand grip	42
Rubber mat	73
Rubber membrane	73
Rubber plate	80
Rubber pot	41
Rubber seal	11

S

S 5	80
Safety cartridge	66, 82
Safety helmet	59
Safety pressure relief valve	76
Safety rope for pin	77
Safety split pin	26, 27, 34
Scraper	77, 80
Scraping plate	42
Screed layer tool	43
Screed layer trousers	44
Screed Layers' smoothing trowel	43
Screed overshoes	45
Screw	24
Screw-in nozzle	33
Seal (mortar hose)	20, 21, 22, 23, 24, 25, 35
Seal ring	6, 7, 78, 79
Seal washer	82
Securing ring	35
Service and maintenance kits	63
Service kit oil separator	82
Service package (M 740, M 760)	66

Sheet steel	7
Side and lengthwise plate	8
Sieve	70, 76
Silicon spray	52, 12
Site power supply	61
SK coupling	34
Sleeve coupling	34
Smoother	44
Smoothing and measuring floats	43
Smoothing machine	42
Smoothing trowel	53, 43
Socket	73
Soft Dock	60
SP 11	86
Spacer ring	8
Spare belt	45
Spare buttons (knee pads)	45
Spare cover	53
Spare knee pads	44, 45
Spare mouthpiece	55
Spare nozzle	55
Spin-on filter	67, 83
Spiral dowel pin	35
Sponge rubber ball	37
Sponge rubber profile	71, 76
Spray gun	46, 55, 58
Spray nozzle	47, 56
Spring cotter pin	41
Stainless plaster scraper	54
Standard Duro	71
Starting capacitor	42
Stator	12, 14, 16, 76, 79, 81, 87
Steel trowel	42
Strainer filter	72
Suction filter	76
Suction hose	36
Support ring (pressure gauge)	77
Swiss smoother	44

T

Temperature sensor	86
Test pressure gauge	57
Testing device	59
Theft protection	61
Thermostat	86
Threaded pin	81
Tie rod	88
Tool	43, 52
Toothed belt	78
Trailer lighting	60
Trousers	44

U

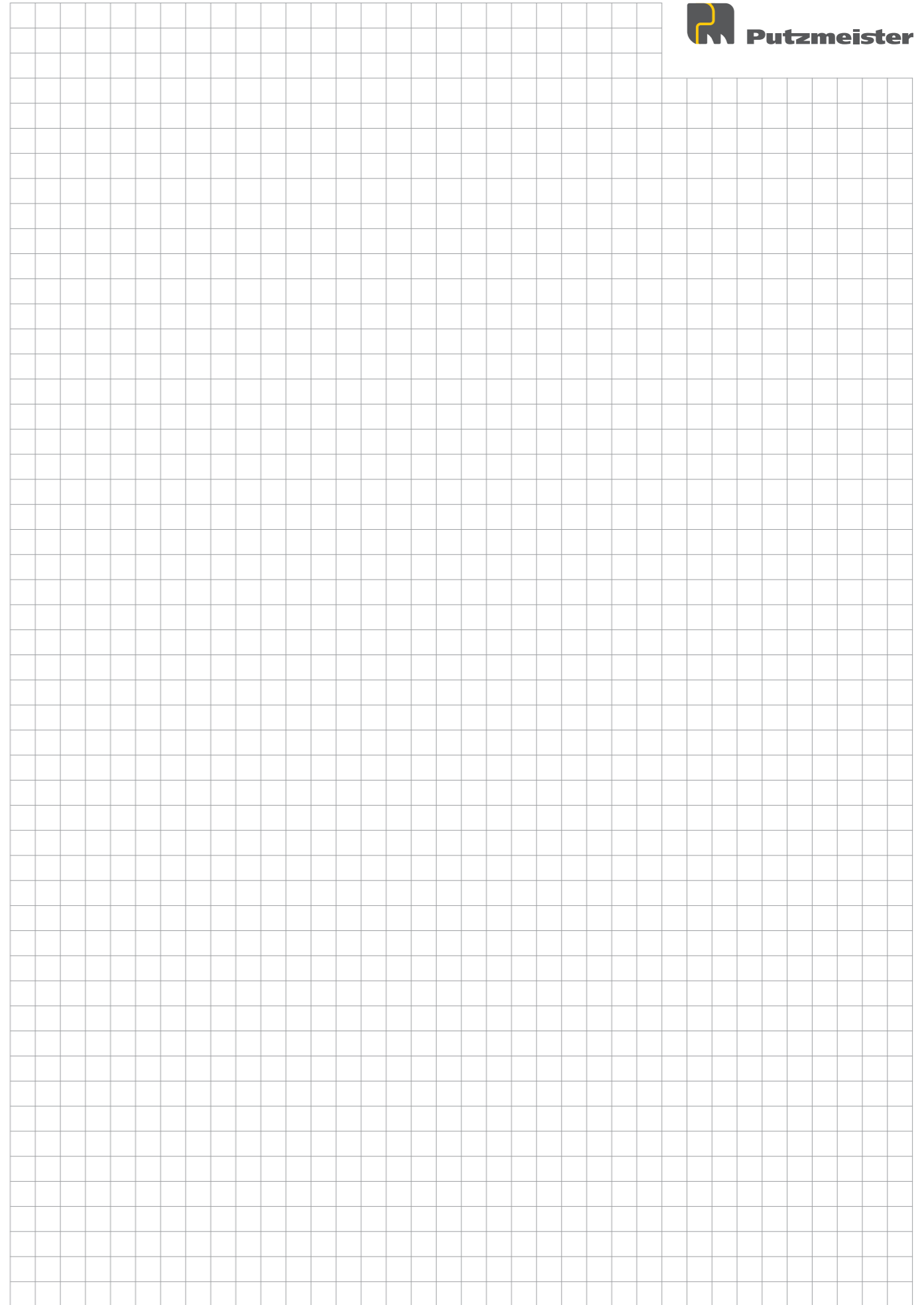
Uni remixer	51
-------------	----

V

V-belt	66, 68, 70, 72, 80, 84, 86
Valve ball	73, 74, 75
Valve cover gasket	66, 68, 78, 82, 84
Valve seat	74, 75
Vehicle cable adapter	60
Ventilation filter	72
Vessel testing device	59

W

W.D. Ring drive	76
Waistband trousers	45
Washer	24
Water armature	76
Water hose	56
Water pump	51
Wear plate/W-plate	6, 7, 8, 69, 71, 85
Wear ring	71
Wear support	69, 85
Wheel clamp	61
Working accessories	60
Worm conveyor	76, 87
Worm pump	12, 14, 79, 87
Worm rotor	79



You can also find a quick overview of all application solutions in our application overview brochure.

You can find a fully detailed overview of all machines and products in our general catalogue.

Ask your Putzmeister dealer or contact us directly. We will send you the required information material immediately.



Technical changes and errors excepted. © by Putzmeister Mörtemaschinen GmbH 2018. All rights reserved. Printed in Germany (180356) MT 4573-1-EN

Putzmeister Mörtemaschinen · Spare parts and Accessories 2018/2019

Putzmeister Mörtemaschinen GmbH

Max-Eyth-Straße 10 · 72631 Aichtal / Germany

P.O.Box 2152 · 72629 Aichtal / Germany

Tel. +49 (7127) 599-0 · Fax +49 (7127) 599-743

mm@putzmeister.com · www.pmmortar.de

 **Putzmeister**