

Valves

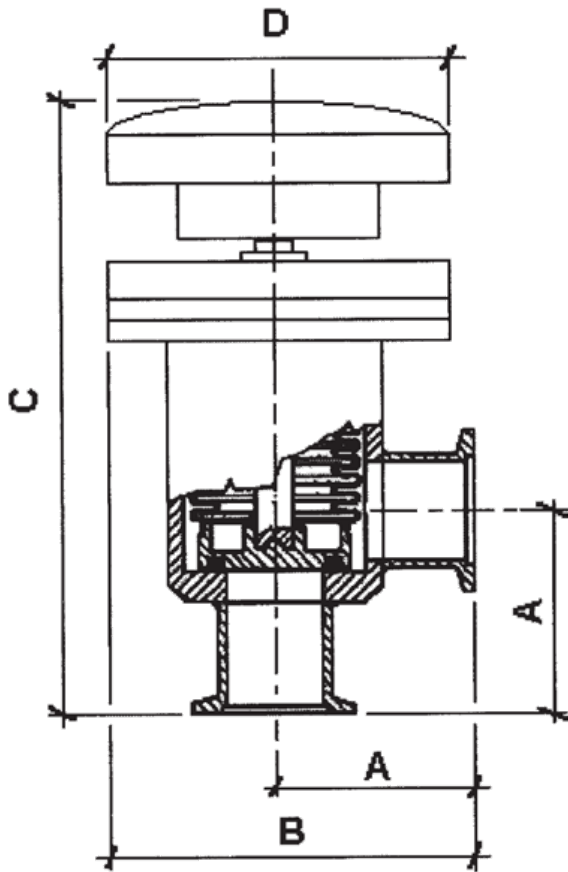


Manual 90° UHV valves

The 90° valves are manufactured with normalized Pneurop flanges ISO 16-25-40-50-63-100. The parts under vacuum conditions are manufactured in stainless steel in order to avoid any kind of contamination in the plant. The seal on the body and on the shutter is Viton®. The opening is controlled by a wheel and the system is separated from vacuum through a bellow. One of the main characteristics of these valves is the easy disassembly; It is not necessary to remove them from the plant during cleaning, maintenance or modifications (they can be changed in electropneumatic).

- OPENING 90°
- ST. STEEL BODY AND BELLOW
- VITON® SEAL
- MAX OPERATING TEMPERATURE + 150° C
- BODY LOSS < 5X10⁻⁸ mbar I.S. -1
- CAP LOSS < 5X10⁻⁸ mbar I.S. -1
- EASY MAINTENANCE
- OPERATING IN ANY POSITION

DN	A	B	C	D	CODE
16	40	80	100	45	0800
25	50	80	140	60	0801
40	65	110	160	80	0802
50	70	115	185	80	0803
63	88	145	220	100	0804

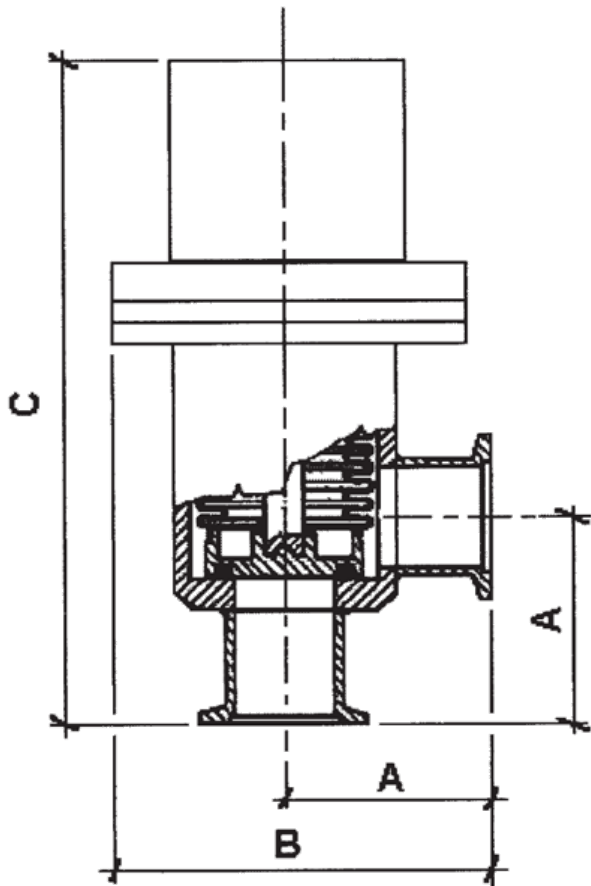


Pneumatic 90° UHV valves

The electropneumatic 90° valves are manufactured with Pneurop flanges ISO 16-25-40-50-63. The parts under vacuum conditions are manufactured in stainless steel to avoid any kind of contamination in the plant. The seal on the body and on the shutter is Viton®. The opening is controlled by an pneumatic piston. In case of compressed air failure the valve closes automatically. The closing system is completely separated from the vacuum through the bellow. The disassembly is very easy.

- 90° OPENING
- ST. STEEL BODY AND BELLOW
- VITON® SEAL
- BODY LOSS <math> < 5 \times 10^{-8}</math> mbar I.S. -1
- CAP LOSS <math> < 5 \times 10^{-8}</math> mbar I.S. -1
- OPERATING PRESSURE 5+8 bar
- EASY MAINTENANCE
- OPERATING TEMPERATURE:
 - body + 150° C
 - impulse + 50° C
- OPERATION IN ANY POSITION

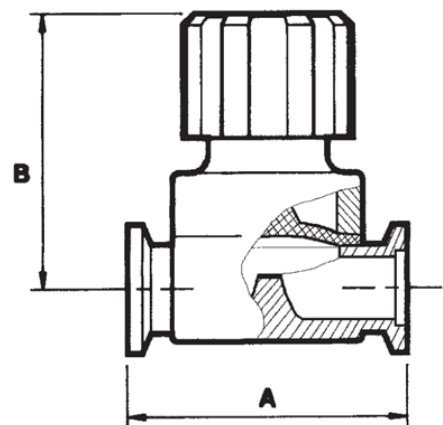
DN	A	B	C	D	CODE
16	40	80	120	-	0850
25	50	80	160	-	0851
40	65	110	200	-	0852
50	70	115	270	-	0853
63	88	145	340	-	0854



Membrane valves DN 10-16-25

- MANUAL CONTROL
- NITRILE MEMBRANE
- ALUMINIUM BODY
- MAX TEMPERATURE + 110° C
- VACUUM TIGHTNESS 10⁻⁹ mbar I.S. -1

DN	A	B	CODE
10	60	85	0900
16	80	85	0901
25	100	140	0902

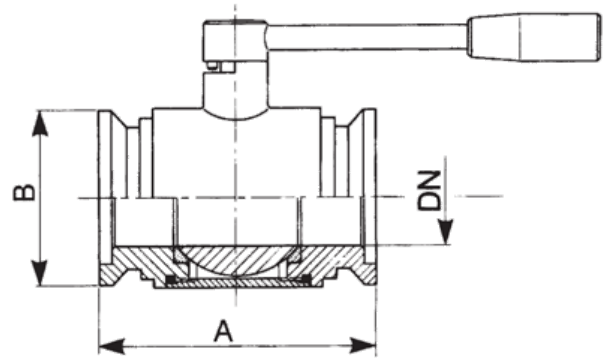


Ball valves DN 10-16-25-40-50-63-80-100

- IN-LINE OPENING
- ST. STEEL BODY
- MAX TEMPERATURE + 150° C
- 90° CONTROL (with stop)

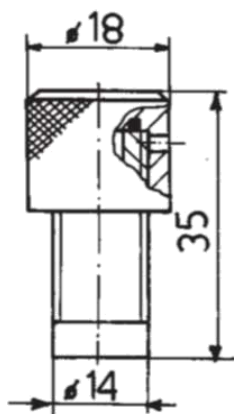
- TEFLON-VITON® SEAL GASKETS
- VACUUM TIGHTNESS 10⁻⁸mbar I.S. -1

DN	A	B	CODE
10	80	53	0950
16	80	53	0951
25	110	68	0952
40	130	91	0953
50	140	98	0954
63	176	131	0955
80	216	134	0956
100	216	155	0957



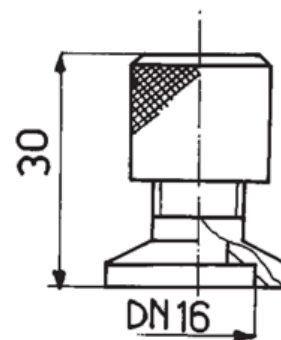
Inlet air valves

The inlet air valves are manufactured in stainless steel at fixed setting. They are used to restore at the atmospheric pressure small/medium chambers.



VALVOLA IMMISSIONE
ARIA A SALDARE

Cod. 0999
WELDING INLET AIR VALVE



VALVOLA IMMISSIONE
ARIA CON FLANGIA KF 16

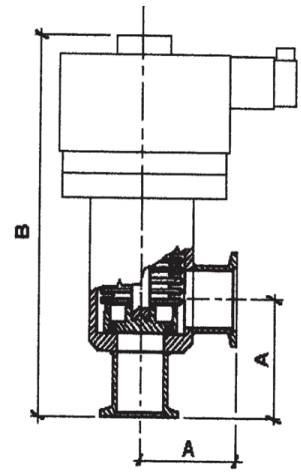
Cod. 1000
INLET AIR VALVE WITH KF 16 FLANGE

Electromagnetic 90° valves

- NORMALLY CLOSED VALVE
- 90° OPENING
- ALUMINIUM ALLOY BODY
- ST. STEEL ACTUATOR (BELLOWS)
- VITON® SEAL
- MAXIMUM LOSS < 5 x 10⁻⁸ mbar I.S -1
- MAX OPERATING TEMPERATURE 125 °C
- SUPPLY VOLTAGE 24 VDC - 230 VAC
- CONSUMPTION 23 WATT

DN	A	B	CODE
----	---	---	------

16	40	115	EM16
25	50	125	EM25



Streas srl Via A.Meucci n°5 20019 Settimo Milanese (MI) | Tel. 0248914530 | Fax. 0248915091 P.IVA 06323900156
