

OPTIMASS 2400 **Technical Datasheet**

Sensor for bulk mass flow

- Large diameter for bulk measurement and custody transfer of liquids and gases
- Stainless Steel measuring tubes (NACE compliant)
- Super Duplex option offering a maximum operating pressure of 180 barg



The documentation is only complete when used in combination with the relevant documentation for the signal converter.

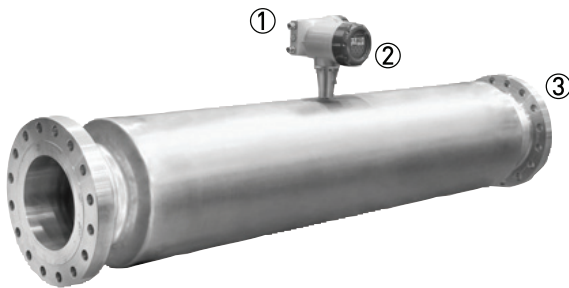
1 Product features	3
1.1 The solution for bulk mass flow measurement	3
1.2 Features and options	5
1.3 Meter / converter combinations	5
2 Technical data	6
2.1 Measuring principle (multiple tube)	6
2.2 Technical data	8
2.2.1 ATEX temperature limits	12
2.2.2 Maximum end loadings	13
2.3 Measuring accuracy	14
2.4 Guidelines for maximum operating pressure	15
2.5 Dimensions and weights	17
2.5.1 Flanged versions	17
2.5.2 Hygienic versions	23
2.5.3 Heating jacket version	25
2.5.4 Purge port option	26
3 Installation	27
3.1 Intended use	27
3.2 Mounting restrictions	27
3.2.1 General installation principles	27
3.2.2 Sunshades	29
4 Notes	30

1.1 The solution for bulk mass flow measurement

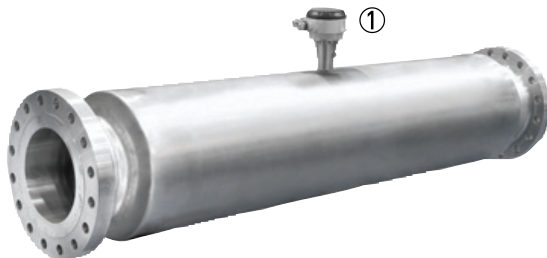
The OPTIMASS 2400 has been developed to meet the demanding custody transfer requirements of the oil and gas industry and is well suited to bulk measurement in many applications. The option of Super Duplex (UNS S32760) provides a maximum operating pressure of 180 barg.

A high level of performance makes the OPTIMASS 2400 suitable for the bulk measurement of petroleum and oil as well as products like syrup, molasses and raw chemicals.

Combined with the power of the MFC 400, the OPTIMASS 2400 will give accurate measurement of volume, mass, density, and concentration.



- ① Modular electronics with a range of output options (see separate documentation for details).
- ② Comprehensive diagnostic capabilities.
- ③ Standard flange process connections available.



- ① Remote terminal box

Highlights

- Innovative design with multiple large measuring tubes, gives a high flow rate capacity
- Easy to drain and easy to clean
- Optional heating jacket
- High levels of accuracy for custody transfer
- Optimised flow divider for minimum pressure loss
- Super Duplex option for operating pressures up to 180 barg
- Secondary containment up to 150 barg

Industries

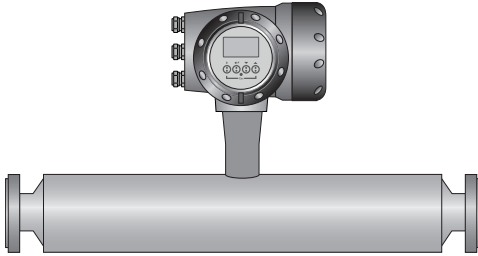
- Marine
- Oil and gas
- Waste water
- Chemical
- Paper and pulp
- Food and beverage
- Pharmaceutical
- Fresh water

Applications

- Bulk loading / unloading
- Custody transfer for volume and mass
- High volume
- Pipeline measurement applications
- Allocation metering

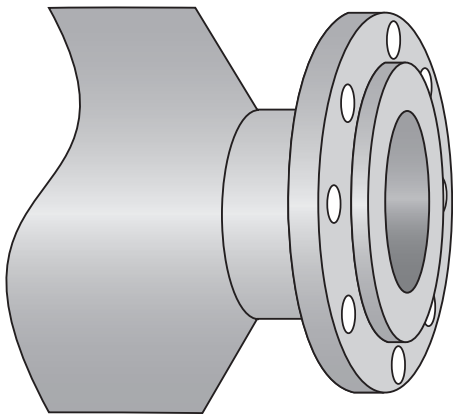
1.2 Features and options

Features



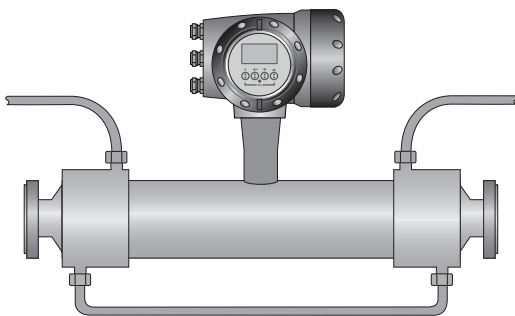
- Flow rates up to 4,600,000 kg/h / 169,021 lb/min.
- Integrated electronics.
- Self draining.
- Best in class for zero stability.
- With advanced Entrained Gas Management (EGM™) the meter maintains operation over a wide range of gas fractions and complex flow conditions.

Connection options



- Flange sizes from 4" / DN100 to 16" / DN400 1500 lbs / PN160.
- Supports a wide range of industry standard hygienic connections.
- Hygienic connections (DN100 only) for bulk measurement in the food and beverage industry.

Heating jacket and purge port



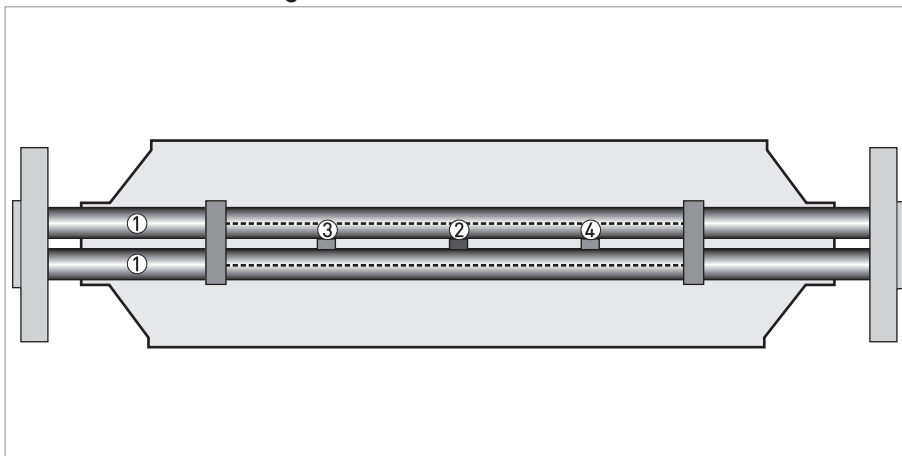
- Heating jacket option for use with temperature dependant products.
- Prevents solidification of process product.
- Purge port option for protection in the event of measuring tube failure.
- Allows hazardous chemicals to be drained away safely.
- Can also be used for the early detection of measuring tube failure where highly toxic chemicals are being measured.

1.3 Meter / converter combinations

Converter	MFC 400	
Configuration	Compact	Remote field
OPTIMASS 2400	2400C	2400F

2.1 Measuring principle (multiple tube)

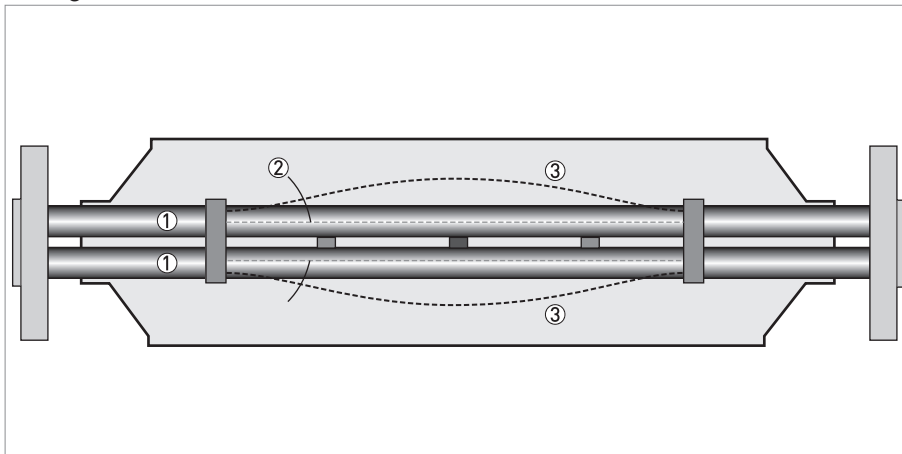
Static meter not energised and with no flow



- ① Measuring tubes
- ② Drive coil
- ③ Sensor 1
- ④ Sensor 2

A Coriolis multiple tube mass flowmeter consists of either two or four measuring tubes (①) one or two drive coils (②) and two or four sensors (③ and ④). The sensors are positioned either side of the drive coil / s.

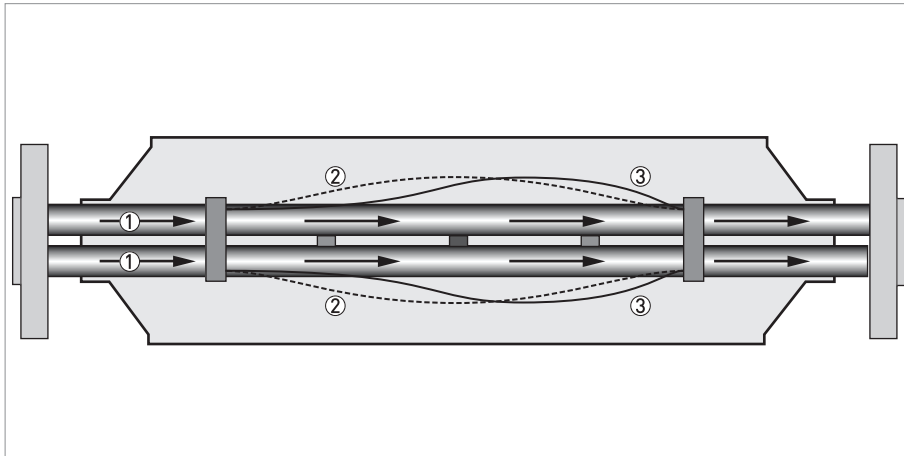
Energised meter



- ① Measuring tubes
- ② Direction of oscillation
- ③ Sine wave

When the meter is energised, the drive coil vibrates the measuring tubes causing them to oscillate and produce a sine wave (③). The sine wave is monitored by the two sensors.

Energised meter with process flow



- ① Process flow
- ② Sine wave
- ③ Phase shift

When a fluid or gas passes through the tubes, the coriolis effect causes a phase shift in the sine wave that is detected by the two sensors. This phase shift is directly proportional to the mass flow. Density measurement is made by evaluation of the frequency of vibration and temperature measurement is made using a Pt500 sensor.

2.2 Technical data

- *The following data is provided for general applications. If you require data that is more relevant to your specific application, please contact us or your local sales office.*
- *Additional information (certificates, special tools, software,...) and complete product documentation can be downloaded free of charge from the website (Downloadcenter).*

Measuring system

Measuring principle	Coriolis mass flow
Application range	Mass flow and density measurement of fluids, gases and solids
Measured values	Mass, density, temperature
Calculated values	Volume, referred density, concentration, velocity

Design

Basic	System consists of a measuring sensor and a converter to process the output signal
Features	Fully welded maintenance free sensor with multiple straight measuring tubes
Variants	
Compact version	Integral converter
Remote version	Available with field mount versions of the converter
Modbus version	Sensor with integral electronics providing Modbus output for connection to a PLC

Measuring accuracy

Mass standard	
Liquid ($\geq 20:1$ of nominal flow rate)	$\pm 0.1\%$ of actual measured flow rate
Liquid ($< 20:1$ of nominal flow rate)	\pm zero stability (see zero stability below)
Repeatability	
$\geq 20:1$ of nominal flow rate	Better than $\pm 0.05\%$
$< 20:1$ of nominal flow rate	Better than \pm zero stability x 0.5
Gas	$\pm 0.35\%$ of actual measured flow rate + zero stability
Repeatability	Better than 0.2% plus zero stability (includes the combined effects of repeatability, linearity and hysteresis)
Mass optional	
Liquid ($\geq 10:1$ of nominal flow rate)	$\pm 0.05\%$ of actual measured flow rate
Liquid ($< 10:1$ of nominal flow rate)	\pm zero stability (see zero stability below)
Repeatability	
$\geq 10:1$ of nominal flow rate	Better than $\pm 0.025\%$
$< 10:1$ of nominal flow rate	Better than \pm zero stability x 0.5
Zero stability	
S100	< 11 kg/h
S150	< 25 kg/h
S250	< 60 kg/h
S400	< 120 kg/h

Reference conditions	
Product	Water
Temperature	+20°C / +68°F
Operating pressure	1 barg / 14.5 psig
Effect on sensor zero point caused by a shift in process temperature	
Stainless Steel	0.0008% of nominal flow rate per 1°C / 0.00044% of nominal flow rate per 1°F
Effect on sensor zero point caused by a shift in process pressure	
Stainless Steel	0.0002% of the nominal flow rate per 1 barg / 0.000014% of the nominal flow rate per 1 psig
Density	
Measuring range	400...3000 kg/m ³ / 25...187 lb/ft ³
Accuracy	±1.0 kg/m ³ / ±0.06 lb/ft ³
On site calibration	±0.2 kg/m ³ / ±0.012 lb/ft ³
Temperature	
Accuracy	±1°C / ±1.8°F

Operating conditions

Nominal flow rates	
S100	220000 kg/h / 8084 lb/min
S150	500000 kg/h / 18372 lb/min
S250	1200000 kg/h / 44092 lb/min
S400	2400000 kg/h / 88185 lb/min
Maximum flow rates	
S100	420000 kg/h / 14698 lb/min
S150	900000 kg/h / 33804 lb/min
S250	2300000 kg/h / 84510 lb/min
S400	4600000 kg/h / 169021 lb/min
Ambient temperature	
Compact version with Aluminium converter	-40...+60°C / -40...+140°F Extended temperature range: 65°C / 149°F for some I/O options. For more information contact manufacturer.
Compact version with Stainless Steel converter	-40...+55°C / -40...+130°F
Remote versions	-40...+65°C / -40...+149°F
Process temperature	
Flanged connection	-45...+130°C / -49...+266°F
Hygienic connection (S100 only)	
Nominal pressure at 20°C / 68°F	
Measuring tube (Duplex UNS S31803)	
PED	-1...150 barg / -14.5...2175 psig
FM (S100...250)	-1...140 barg / -14.5...2030 psig
FM (S400)	-1...110 barg / -14.5...1595 psig
CRN / ASME B31.3	-1...100 barg / -14.5...1450 psig

Measuring tube (Super Duplex UNS S32760)	
PED	-1...180 barg / -14.5...2610 psig
FM	-1...152 barg / -14.5...2205 psig
CRN / ASME B31.3	-1...120 barg / -14.5...1885 psig
Outer cylinder	
Non PED / CRN approved	Typical burst pressure > 100 barg / 1450 psig
PED approved secondary containment	-1...40 barg / -14.5...580 psig (S100...250 only)
	-1...150 barg / -14.5...2175 psig (Duplex option)
Fluid properties	
Permissible physical condition	Liquids, gases, slurries
Permissible gas content (volume)	Contact manufacturer for information.
Permissible solid content (volume)	Contact manufacturer for information.
Protection category	
EN 60529	IP66 / 67
NEMA 250	NEMA 4X
Installation conditions	
Inlet runs	None required
Outlet runs	None required

Materials

Measuring tube	Stainless Steel UNS S31803 (1.4462)
	Optional UNS S32760 (1.4501)
Spigot	Stainless Steel UNS J92205 (1.4470)
	Optional UNS J93404 (1.4469)
Flanges	Stainless Steel AISI 316 / 316L (1.4401 / 1.4404) dual certified
	Optional Stainless Steel UNS S31803 (1.4462) (NACE approved)
	Optional UNS S32760 (1.4501) (NACE approved)
Outer cylinder (S100...250)	Stainless Steel AISI 304 / 304L (1.4301 / 1.4307) dual certified
	Optional Stainless Steel AISI 316 / 316L (1.4401 / 1.4404) dual certified
	Optional Stainless Steel UNS S31803 (1.4462) ①
Outer cylinder (S400)	Standard 9mm wall: Stainless Steel AISI 316 / 316L (1.4401 / 1.4404) dual certified
	Optional 15mm wall: Stainless Steel UNS S31803 (1.4462) (NACE approved)
Heating jacket version	
Heating jacket	Stainless Steel 316L (1.4404)
	Note: the outer cylinder is in contact with the heating medium
Remote versions	
Junction box	Die cast Aluminium (polyurethane coating)

Process connections

Flange	
DIN	DN100...400 / PN16...160
ASME	4...16" / ASME 150...1500
JIS	100A / 10...20K

Hygienic	
Tri-clover	4"
Tri-clamp DIN 32676	DN100
Tri-clamp ISO 2852	4"
DIN 11864-2 Form A	DN100
Male thread DIN 11851	DN100
Male thread SMS	4"
Male thread IDF / ISS	4"
Male thread RJT	4"

Electrical connections

Electrical connections	For full details, including: power supply, power consumption etc., see technical data for the relevant converter.
I/O	For full details of I/O options, including data streams and protocols, see technical data for the relevant converter.

Approvals

CE	The device fulfils the statutory requirements of the CE directive. The manufacturer certifies that these requirements have been met by applying the CE mark.
Factory Mutual / CSA	Class I, Div 1 groups A, B, C, D
	Class II, Div 1 groups E, F, G
	Class III, Div 1 hazardous areas
	Class I, Div 2 groups A, B, C, D
	Class II, Div 2 groups F, G
	Class III, Div 2 hazardous areas
ANSI / CSA (Dual Seal)	12.27.901-2003
Hygienic	3A 28-03
	ASME BPE
Custody Transfer	Measuring Instruments Directive (MID) MI 002 and MI 005 (most recent and up to date version)
	OIML R117-1
	OIML R137 (pending)
	Compliant with API and AGA
Ingress protection	EN 60529 (most recent and up to date version)
	NEMA 250 (most recent and up to date version)
ATEX (most recent and up to date version)	
OPTIMASS 2400C non Ex i Signal outputs	
Ex d connection compartment	II 1/2 G - Ex d ia IIC T6...T1 Ga/Gb
	II 2 D - Ex t IIIC T160°C Db
Ex e connection compartment	II 1/2 G - Ex de ia IIC T6...T1 Ga/Gb
	II 2 D - Ex t IIIC T160°C Db

OPTIMASS 2400C Ex i signal outputs	
Ex d connection compartment	II 1/2 (1) G - Ex d ia (ia Ga) IIC T6...T1 Ga/Gb
	II 2 (1) D - Ex t (ia Da) IIIC T160°C Db
Ex e connection compartment	II 1/2 (1) G - Ex de ia (ia Ga) IIC T6...T1 Ga/Gb
	II 2 (1) D - Ex t (ia Da) IIIC T160°C Db
OPTIMASS 2400F	II 1 G - Ex ia IIC T6...T1 Ga
	II 1 D - Ex ia IIIC T160°C Da

① Where this option is ordered, the electronics stem material is UNS J92205 (1.4470)

2.2.1 ATEX temperature limits

	Ambient temp. T_{amb} °C	Max. medium temp. T_m °C	Temp. class	Max. surface temp. °C	
OPTIMASS 2400C with or without heating jacket / insulation	40	40	T6	T70	
		55	T5	T85	
		90	T4	T120	
		130	T3-T1	T160	
	50	55	T5	T85	
		90	T4	T120	
		130	T3-T1	T160	
	65	65	T5	T95	
		130	T3-T1	T160	
	OPTIMASS 2400C Aluminium converter housing - with or without heating jacket / insulation	40	40	T6	T70
			55	T5	T85
			90	T41	T120
130			T3 - T1	T160	
50		55	T5	T85	
		90	T4	T120	
		130	T3 - T1	T160	
65 ①		65	T4-T1	T95	
OPTIMASS 2400C Stainless Steel converter housing - with or without heating jacket / insulation		40	40	T6	T70
			55	T5	T85
			90	T4	T120
			130	T3-T1	T160
	50	55	T5	T85	
		90	T4-T1	T120	
	60	60	T5-T1	T90	

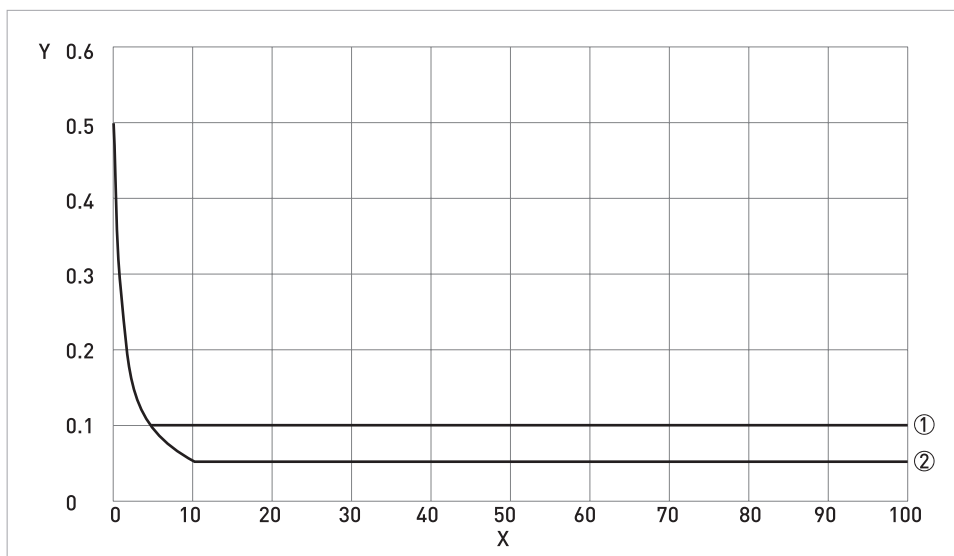
① depending on I/O option. Please call for more information.

2.2.2 Maximum end loadings

		S100	S150	S250	S400
Flanges					
20°C	40 barg	150kN	350kN	550kN	750kN
	100 barg	100kN	120kN	60kN	
	150 barg				
	180 barg				
130°C	32 barg	150kN	280kN	400kN	
	80 barg	60kN	50kN	50kN	
	115 barg				
	130 barg				
Hygienic (all connections)					
130°C	10 barg	5kN	-	-	-

- These (axial) loads have been calculated, based on 316L schedule 80 process pipework, where un-radiographed butt welds have been used in pipe joints.
- The loads shown are the maximum permitted static load. If loads are cycling (between tension and compression) these loads should be reduced. For advice, consult the manufacturer.
- To prevent damage DO NOT apply loads to the heating jacket connections on the meter. The manufacturer recommends that you use flexible connection pipes.

2.3 Measuring accuracy



X nominal flow rate [%]
 Y measuring error [%]

- ① Standard measuring accuracy
- ② Optional measuring accuracy (not available in SIL mode)

Measuring error

The measuring error is obtained from the combined effects of accuracy and zero stability.

Reference conditions

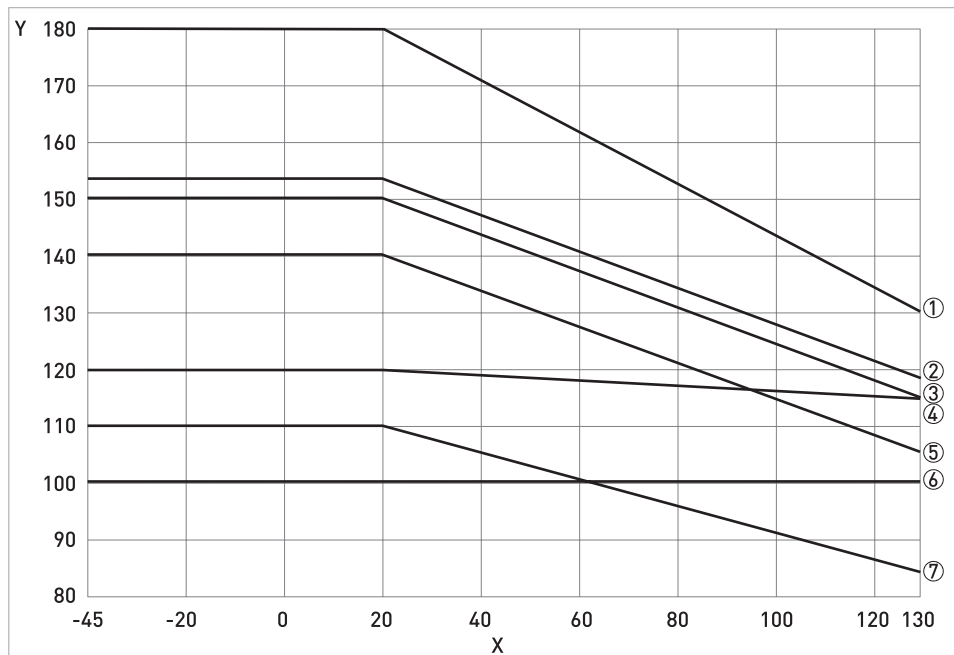
Product	Water
Temperature	+20°C / +68°F
Operating pressure	1 barg / 14.5 psig

2.4 Guidelines for maximum operating pressure

Notes:

- Ensure that the meter is used within its operating limits
- All hygienic process connections have a maximum operating rating of 10 barg at 130°C / 145 psig at 266°F

Pressure / temperature de-rating, all meter sizes in metric (flanged connections as per EN 1092-1:2007)



X temperature [°C]

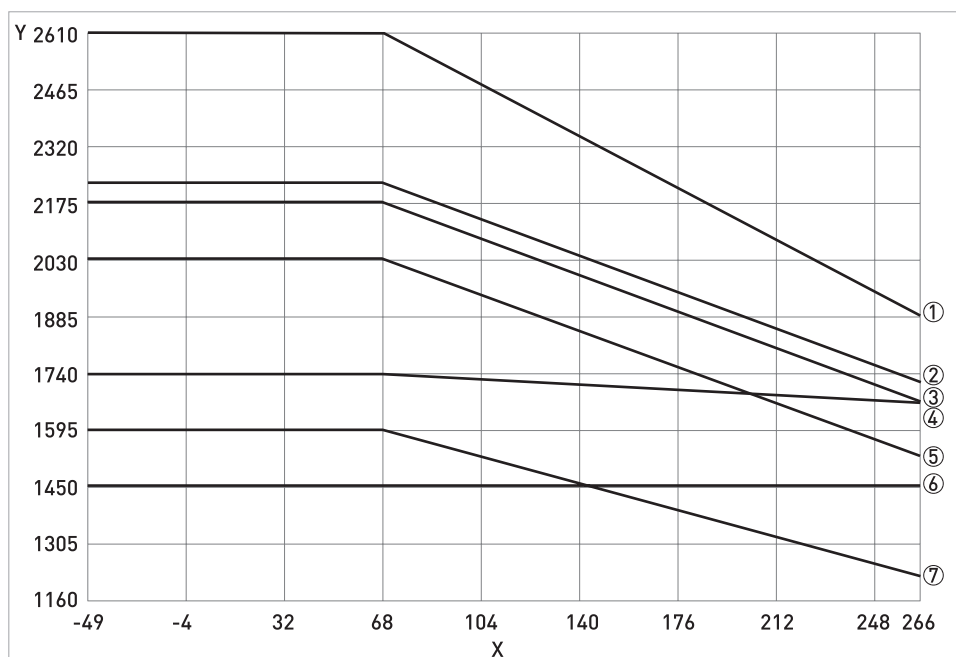
Y pressure [barg]

- ① Measuring tube (UNS S32760) PED certification
- ② Measuring tube (UNS S32760) FM certification
- ③ Measuring tube (UNS S31803) PED certification
- ④ Measuring tube (UNS S32760) CRN certification
- ⑤ Measuring tube (UNS S31803) FM certification (S100...250)
- ⑥ Measuring tube (UNS S31803) CRN certification
- ⑦ Measuring tube (UNS S31803) FM certification (S400)

Linear de-rating of PED certified secondary containment

Outer cylinder material	-45°C	20°C	130°C
304 / L or 316 / L (S100...250)	40 barg	40 barg	32 barg
UNS S31803 (S100...400)	150 barg	150 barg	100 barg

Pressure / temperature de-rating, all meter sizes, in imperial (flanged connections as per ASME B16.5)



X temperature [°F]
Y pressure [psig]

- ① Measuring tube (UNS S32760) PED certification
- ② Measuring tube (UNS S32760) FM certification
- ③ Measuring tube (UNS S31803) PED certification
- ④ Measuring tube (UNS S32760) CRN certification
- ⑤ Measuring tube (UNS S31803) FM certification (S100...250)
- ⑥ Measuring tube (UNS S31803) CRN certification
- ⑦ Measuring tube (UNS S31803) FM certification (S400)

Linear de-rating of PED certified secondary containment

Outer cylinder material	-49°F	68°F	266°F
304 / L or 316 / L (S100...250)	580 psig	580 psig	464 psig
UNS S31803 (S100...400)	2175 psig	2175 psig	1450 barg

Flanges

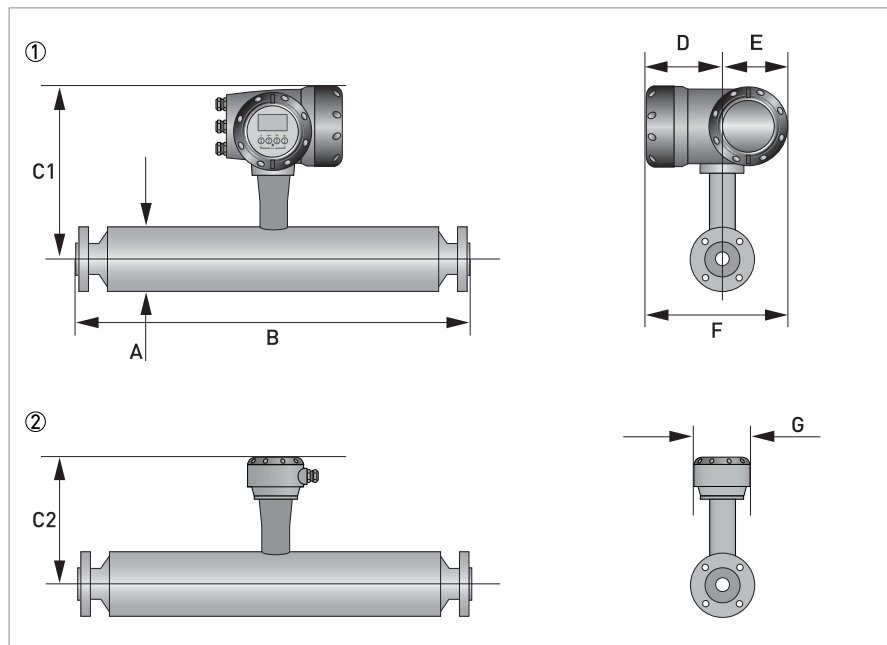
- DIN flange ratings are based on EN 1092-1 2007 table G.4.1 material group 14E0
- ASME flange ratings are based on ASME B16.5 2003 table 2 material group 2.2
- JIS flange ratings are based on JIS 2220: 2001 table 1 division 1 material group 022a

Notes

- The maximum operating pressure will be either the flange rating or the measuring tube rating, **WHICHEVER IS THE LOWER!**
- The manufacturer recommends that the seals are replaced at regular intervals. This will maintain the hygienic integrity of the connection.

2.5 Dimensions and weights

2.5.1 Flanged versions



- ① Compact version
② Remote version

Meter weights (PN40 flanges).

	Weight	Compact		Remote	
		Aluminium	Stainless Steel	Aluminium	Stainless Steel
S100	kg	84.8	90.1	80.8	81.7
	lb	187.0	198.0	178.0	180.0
S150	kg	211.5	216.8	207.5	208.4
	lb	466.0	478.0	457.0	459.0
S250	kg	444.5	449.8	44.5	441.4
	lb	980.0	991.0	971.0	973.0
S400 ①	kg	940.0	945.3	936.0	936.9
	lb	2072.3	2083.4	2063.5	2065.5
S400 ②	kg	1045.0	1050.3	1041.0	1041.9
	lb	2303.8	2315.5	2295.0	2297.0

① 9mm outer cylinder wall thickness

② 15mm outer cylinder wall thickness

For meter weights with different flange ratings, please contact the manufacturer.

Measuring tube in Stainless Steel

	Dimensions [mm]			
	S100	S150	S250	S400
A	219 ±5	323 ±5	406 ±5	508 ±5
C1 (compact)	370 ±5	422 ±5	463 ±5	516 ±5
C2 (remote)	307 ±5	359 ±5	400 ±5	453 ±5
D	137			
E	123.5			
F	260.5			
G	118			

	Dimensions [inches]			
	S100	S150	S250	S400
A	8.6 ±0.2	12.7 ±0.2	16 ±0.2	20 ±0.2
C1 (compact)	14.6 ±0.2	16.6 ±0.2	18.2 ±0.2	20.3 ±0.2
C2 (remote)	12.1 ±0.2	14.1 ±0.2	15.7 ±0.2	17.8 ±0.2
D	5.4			
E	4.9			
F	10.2			
G	4.6			

Flange connections

	Dimension B [mm]			
	S100	S150	S250	400
PN16				
DN100	1284	-	-	-
DN150	1290	1584	-	-
DN200	-	1598	-	-
DN250	-	-	1953	-
DN300	-	-	1969	-
DN350	-	-	-	2290
DN400	-	-	-	2296
PN40				
DN100	1310	-	-	-
DN150	1330	1624	-	-
DN200	-	1650	-	-
DN250	-	-	2023	-
DN300	-	-	2043	-
DN350	-	-	-	2376
DN400	-	-	-	2396
PN63				
DN100	1336	-	-	-

	Dimension B [mm]			
	S100	S150	S250	400
DN150	1370	1664	-	-
DN200	-	1694	-	-
DN250	-	-	2063	-
DN300	-	-	2093	-
DN350	-	-	-	2426
DN400	-	-	-	2446
PN100				
DN100	1360	-	-	-
DN150	1410	1704	-	-
DN200	-	1734	-	-
DN250	-	-	1970	-
DN300	-	-	2153	-
DN350	-	-	-	2504
DN400	-	-	-	2496
PN160				
DN100	1380	-	-	-
DN150	1436	1730	-	-
DN200	-	1754	-	-
DN250	-	-	2123	-
DN300	-	-	2163	-
DN350	-	-	-	2566
DN400	-	-	-	2572
ASME 150				
4"	1334	-	-	-
6"	1358	1652	-	-
8"	-	1678	-	-
10"	-	-	2017	-
12"	-	-	2043	-
14"	-	-	-	2380
16"	-	-	-	2380
ASME 300				
4"	1352	-	-	-
6"	1378	1672	-	-
8"	-	1698	-	-
10"	-	-	2049	-
12"	-	-	2075	-
14"	-	-	-	2412
16"	-	-	-	2414
ASME 600				
4"	1398	-	-	-
6"	1428	1722	-	-

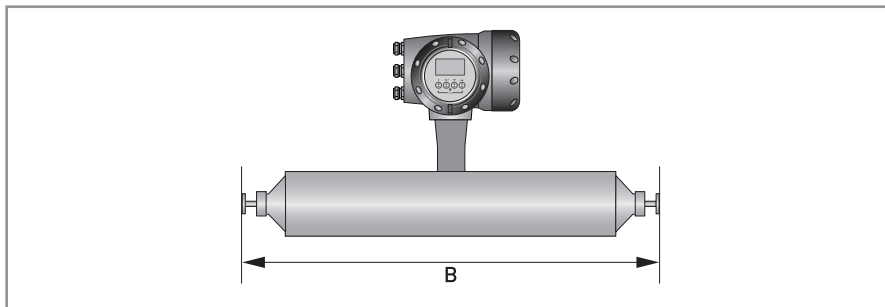
	Dimension B [mm]			
	S100	S150	S250	400
8"	-	1754	-	-
10"	-	-	2131	-
12"	-	-	2139	-
14"	-	-	-	2470
16"	-	-	-	2496
ASME 900				
4"	1422	-	-	-
6"	1474	1768	-	-
8"	-	1812	-	-
10"	-	-	2195	-
12"	-	-	2227	-
14"	-	-	-	2566
16"	-	-	-	2572
ASME 1500				
4"	1442	-	-	-
6"	1554	-	-	-
8"	-	1914	-	-
10"	-	-	2335	-
12"	-	-	2393	-
14"	-	-	-	2736
16"	-	-	-	2762
JIS 10K				
100A	1270	-	-	-
350A	-	-	-	2284
JIS 20K				
100A	1296	-	-	-
350A	-	-	-	2346

	Dimension B [inches]			
	S100	S150	S250	400
PN16				
DN100	50.5	-	-	-
DN150	50.8	62.4	-	-
DN200	-	62.9	-	-
DN250	-	-	77.0	-
DN300	-	-	77.5	-
DN350	-	-	-	90.2
DN400	-	-	-	90.4
PN40				
DN100	51.5	-	-	-

	Dimension B [inches]			
	S100	S150	S250	400
DN150	52.6	63.9	-	-
DN200	-	65.0	-	-
DN250	-	-	79.6	-
DN300	-	-	80.4	-
DN350	-	-	-	93.5
DN400	-	-	-	94.3
PN63				
DN100	53.2	-	-	-
DN150	52.3	65.5	-	-
DN200	-	66.7	-	-
DN250	-	-	81.2	-
DN300	-	-	82.4	-
DN350	-	-	-	95.5
DN400	-	-	-	96.3
PN100				
DN100	53.9	-	-	-
DN150	55.5	67.1	-	-
DN200	-	68.3	-	-
DN250	-	-	77.6	-
DN300	-	-	84.8	-
DN350	-	-	-	98.6
DN400	-	-	-	98.3
PN160				
DN100	54.3	-	-	-
DN150	56.5	68.1	-	-
DN200	-	69.0	-	-
DN250	-	-	83.6	-
DN300	-	-	85.1	-
DN350	-	-	-	101.0
DN400	-	-	-	101.3
ASME 150				
4"	52.5	-	-	-
6"	53.4	65.0	-	-
8"	-	66.1	-	-
10"	-	-	79.4	-
12"	-	-	80.4	-
14"	-	-	-	93.7
16"	-	-	-	93.7
ASME 300				
4"	53.2	-	-	-
6"	54.2	65.8	-	-

	Dimension B [inches]			
	S100	S150	S250	400
8"	-	66.8	-	-
10"	-	-	80.7	-
12"	-	-	81.7	-
14"	-	-	-	95.0
16"	-	-	-	95.0
ASME 600				
4"	54.9	-	-	-
6"	56.1	67.8	-	-
8"	-	69.0	-	-
10"	-	-	83.9	-
12"	-	-	84.2	-
14"	-	-	-	97.2
16"	-	-	-	98.3
ASME 900				
4"	55.2	-	-	-
6"	57.9	69.6	-	-
8"	-	71.3	-	-
10"	-	-	86.4	-
12"	-	-	87.7	-
14"	-	-	-	101.0
16"	-	-	-	101.3
ASME 1500				
4"	56.8	-	-	-
6"	61.2	-	-	-
8"	-	75.3	-	-
10"	-	-	91.9	-
12"	-	-	94.2	-
14"	-	-	-	107.7
16"	-	-	-	108.7
JIS 10K				
100A	52.5	-	-	-
350A	-	-	-	89.9
JIS 20K				
100A	52.5	-	-	-
350A	-	-	-	92.4

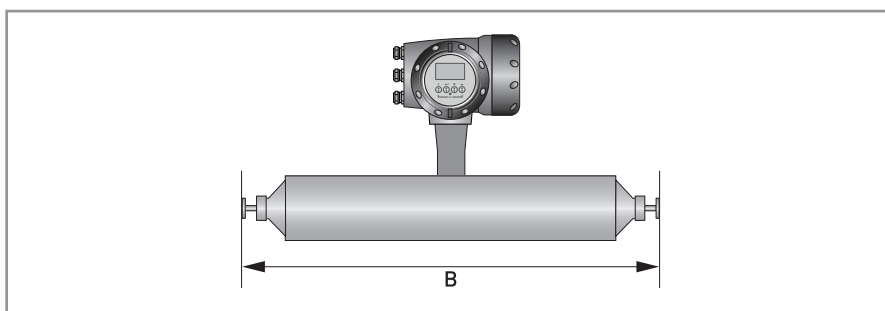
2.5.2 Hygienic versions



Hygienic connections: all welded versions

	Dimension B [mm]			
	S100	S150	S250	S400
Tri-clover				
4"	1223	-	-	-
Tri-clamp DIN 32676				
DN100	1236	-	-	-
Tri-clamp ISO 2852				
4"	1223	-	-	-
DIN 11864-2 form A				
DN100	1296	-	-	-

	Dimension B [inches]			
	S100	S150	S250	S400
Tri-clover				
4"	48	-	-	-
Tri-clamp DIN 32676				
DN100	48.7	-	-	-
Tri-clamp ISO 2852				
4"	48	-	-	-
DIN 11864-2 form A				
DN100	51	-	-	-

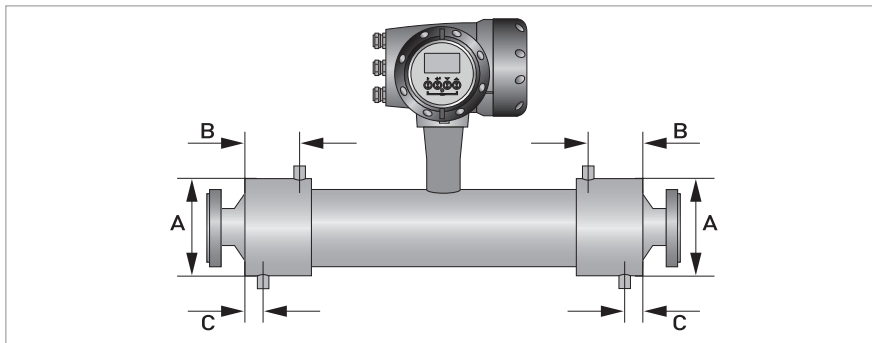


Hygienic connections: adapter versions (male thread)

	Dimension B [mm]		
	S100	S150	S250
Male thread DIN 11851			
DN100	1288	-	-
Male thread SMS			
4"	1236	-	-
Male thread IDF/ISS			
4"	1223	-	-
Male thread RJT			
4"	1234	-	-

	Dimension B [inches]		
	S100	S150	S250
Male thread DIN 11851			
DN100	50.1	-	-
Male thread SMS			
4"	48.7	-	-
Male thread IDF/ISS			
4"	48	-	-
Male thread RJT			
4"	48.6	-	-

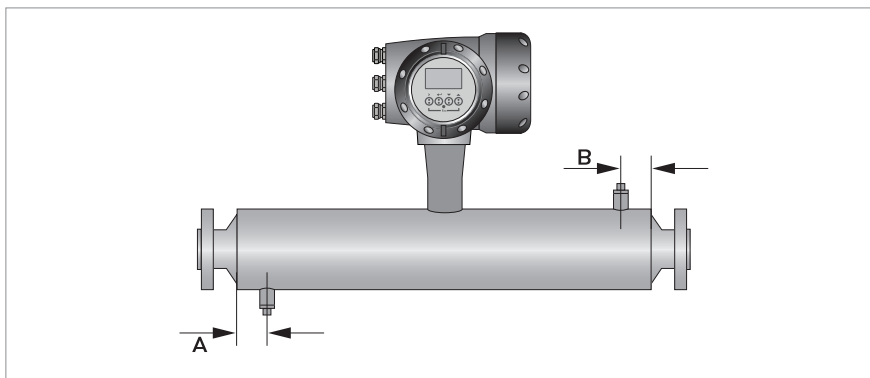
2.5.3 Heating jacket version



	Dimensions [mm]			
	S100	S150	S250	400
Heating connection size	25 mm (ERMETO)			
A	254 ±2.5	355 ±2.5	444 ±2.5	545 ±2.5
B	178 ±2.0	228 ±2.0	234 ±2.0	268 ±2.0
C	28 ±2.0	28 ±2.0	32 ±2.0	28 ±2.0

	Dimensions [inches]			
	S100	S150	S250	400
Heating connection size	1" (NPTF)			
A	10 ±0.1	14 ±0.1	17.5 ±0.1	21.5 ±0.1
B	7 ±0.08	9 ±0.08	9.2 ±0.08	106 ±0.08
C	1.1 ±0.08	1.1 ±0.08	1.26 ±0.08	1.1 ±0.08

2.5.4 Purge port option



	Dimensions [mm]			
	S100	S150	S250	S400
A	70 ±1.0	100 ±1.0		
B	70 ±1.0	100 ±1.0		

	Dimensions [inches]			
	S100	S150	S250	S400
A	2.75 ±0.04	4.0 ±0.04		
B	2.75 ±0.04	4.0 ±0.04		

3.1 Intended use

This mass flowmeter is designed for the direct measurement of mass flow rate, product density and product temperature. Indirectly, it also enables the measurement of parameters like total mass, concentration of dissolved substances and the volume flow. For use in hazardous areas, special codes and regulations are also applicable and these are specified in a separate documentation.

Responsibility for the use of the measuring devices with regard to suitability, intended use and corrosion resistance of the used materials against the measured fluid lies solely with the operator.

This device is a Group 1, Class A device as specified within CISPR11:2009. It is intended for use in industrial environment. There may be potential difficulties in ensuring electromagnetic compatibility in other environments, due to conducted as well as radiated disturbances.

The manufacturer is not liable for any damage resulting from improper use or use for other than the intended purpose.

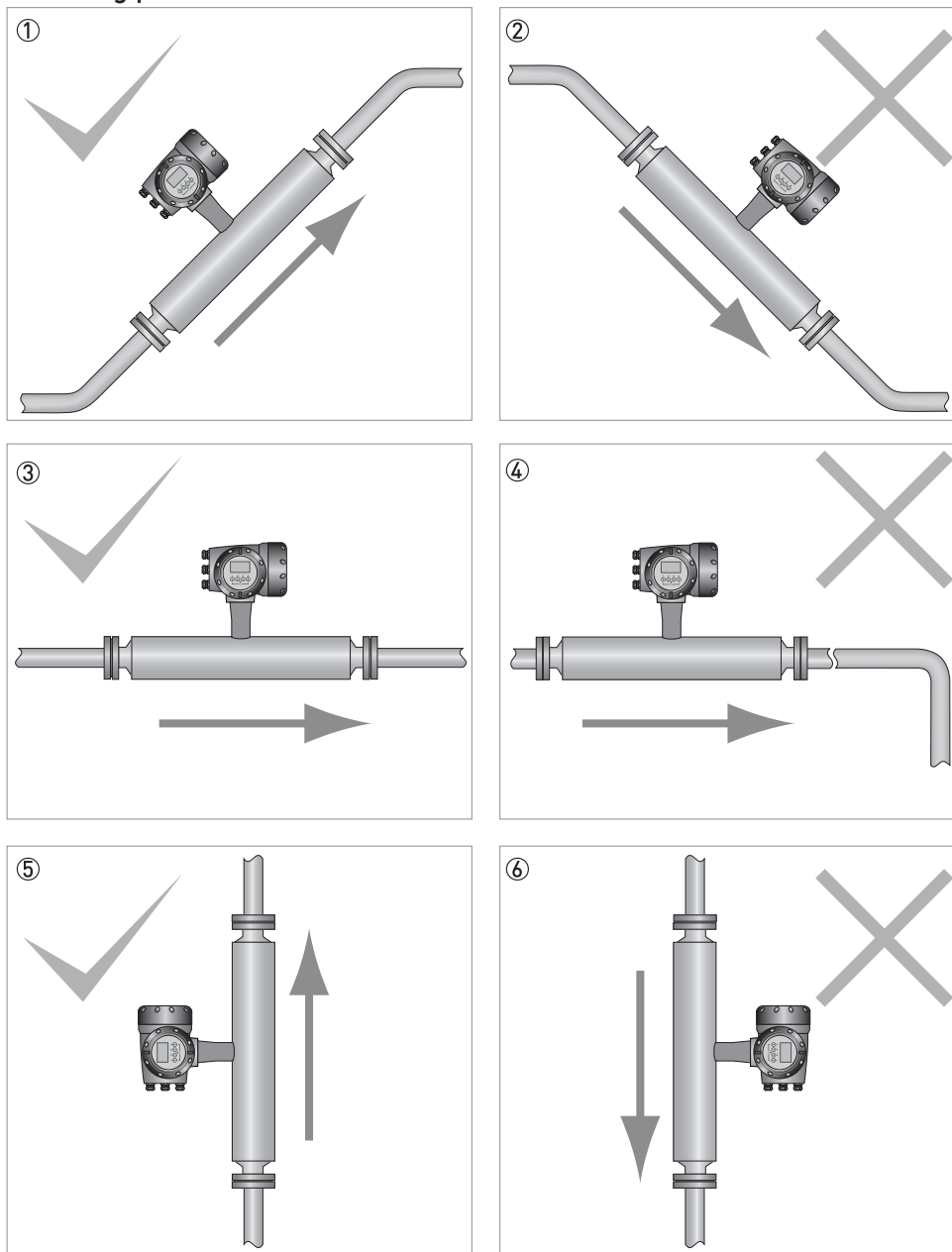
3.2 Mounting restrictions

3.2.1 General installation principles

There are no special installation requirements but you should note the following points:

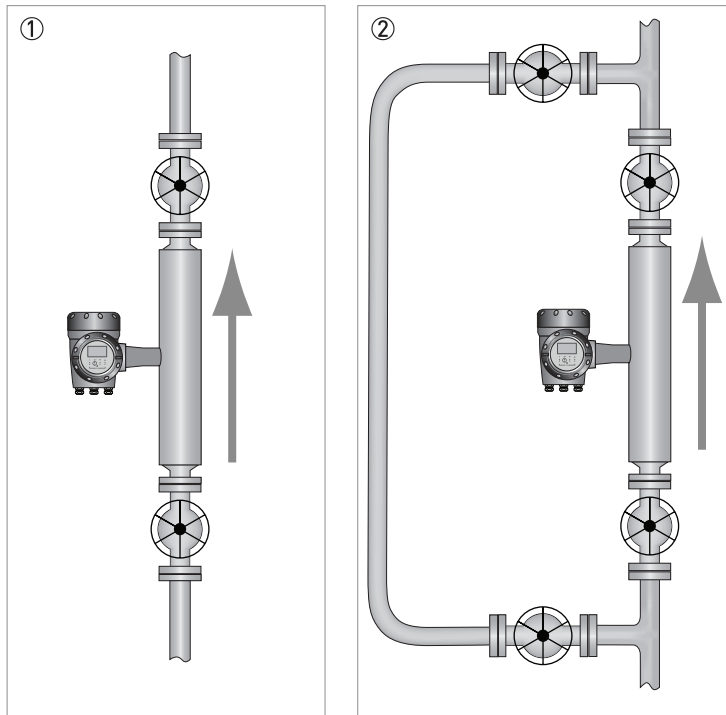
- Support the weight of the meter.
- The meter can be supported on the sensor body.
- On larger meter sizes and hygienic connections, it is strongly recommended that the meter is not supported solely by the process pipework.
- No straight runs are required.
- The use of reducers and other fittings at flanges, including flexible hoses, is allowed but you should take care to avoid cavitation.
- Avoid extreme pipe size reductions.
- Meters are not affected by crosstalk and can be mounted in series or in parallel.
- Avoid mounting the meter at the highest point in the pipeline where air / gas can collect.

Mounting positions



- ① The meter can be mounted at an angle but it is recommended that the flow is uphill.
- ② Avoid mounting the meter with the flow running downhill because it can cause siphoning. If the meter has to be mounted with the flow running downhill, install an orifice plate or control valve downstream of the meter to maintain backpressure.
- ③ Horizontal mounting with flow running left to right.
- ④ Avoid mounting meter with long vertical runs after the meter as it can cause cavitation. Where the installation includes a vertical run after the meter, install an orifice plate or control valve downstream to maintain backpressure.
- ⑤ The meter can be mounted vertically but it is recommended that the flow is uphill.
- ⑥ Avoid mounting the meter vertically with the flow running downhill. This can cause siphoning. If the meter has to be installed this way, install an orifice plate or control valve downstream to maintain backpressure.

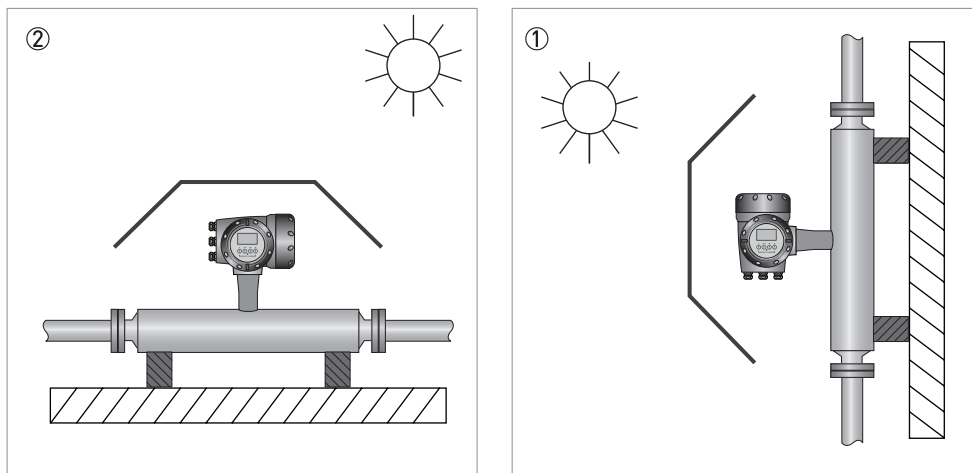
Zero calibration



- ① Where the meter has been installed vertically, install shut-off valves either side of the meter to assist with zero calibration.
- ② If the process flow cannot be stopped, install a bypass section for zero calibration.

3.2.2 Sunshades

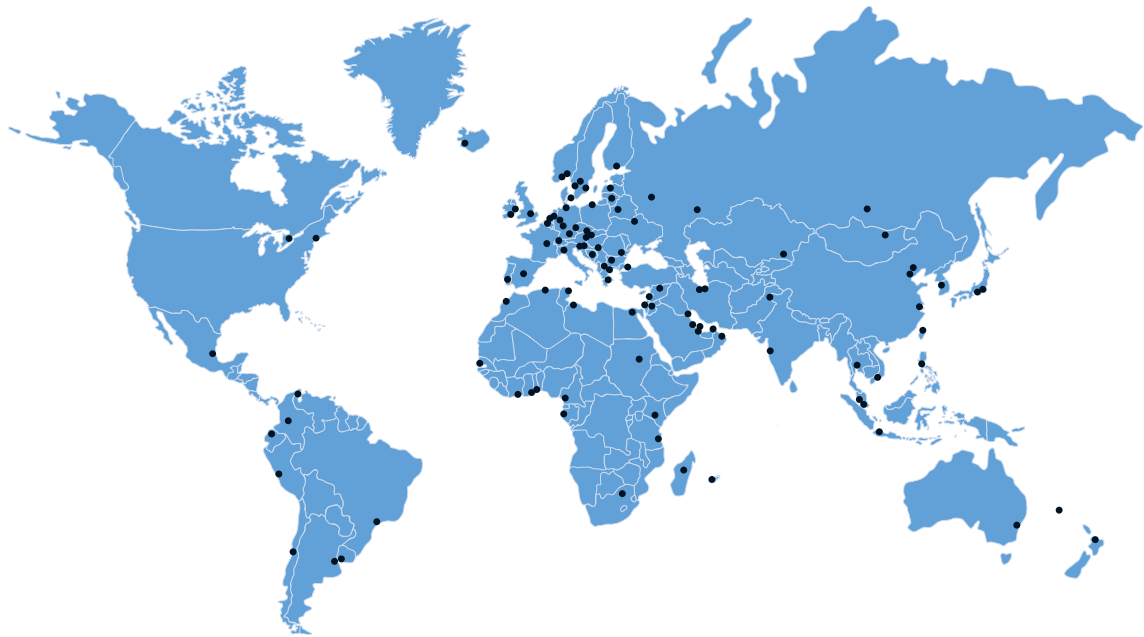
The meter **MUST** be protected from strong sunlight.



- ① Horizontal installation
- ② Vertical installation







KROHNE – Process instrumentation and measurement solutions

- Flow
- Level
- Temperature
- Pressure
- Process Analysis
- Services

Head Office KROHNE Messtechnik GmbH
Ludwig-Krohne-Str. 5
47058 Duisburg (Germany)
Tel.: +49 203 301 0
Fax: +49 203 301 10389
info@krohne.com

The current list of all KROHNE contacts and addresses can be found at:
www.krohne.com

KROHNE